

RFR Series

reference mobile furniture rack

uniquely styled furniture rack system that is optimized for easy integration and is ruggedly designed for years of trouble free room-to-room mobility

features:

- Engineered for professional integration to ensure efficient installation
- Wide-body design allows for handy interior device mounting and cable management using optional tool-free LeverLock™ system
- Robust construction features bolt-through floor-friendly casters and internal steel bracing for years of reliable use
- Unique cable entry rear door and included cable spools allow easy storage of connecting cable bundle
- Advanced cooling for system reliability
- Optimized for passive ventilation featuring generous front air intake & rear exhaust vents
- Enable energy-saving active cooling with optional thermostatically- controlled DC blower panel. Quiet and powerful: 50 CFM, 27 dB
- Superior aesthetics complement any public space
- Architectural design incorporates a highly aesthetic and durable new finish, available in three finishes
- Attractive IR-friendly locking glass front door standard
- Available in 16, 20, and 24 rackspace sizes in 3 attractive colors: Black Cascade, Cherry Cascade, and Teak Cascade
- Optional flat screen mount accommodates most monitors up to 32" (VESA 100)
- UL Listed (structural and tip) for support of audio/video equipment
- Ships fully assembled



specifications:

EIA compliant 19" mobile furniture equipment rack shall be Middle Atlantic Products model #RFR-__28__(see chart for available models). Overall dimensions of RFR shall be __"H x 27.3"W x 27.55"D (refer to chart). Useable height of RFR shall be __rackspaces, useable depth shall be 23.31". RFR shall come equipped with one pair of adjustable steel rackrail with tapped 10-32 mounting holes in universal EIA spacing, black e-coat finish and numbered rackspaces. RFR shall have bolt through 4" height casters. RFR shall have 4 casters total, with locking front casters. RFR shall have internal steel bracing. RFR shall be constructed of melamine and have a __ finish (refer to chart). RFR shall have an undersized top. RFR shall include a locking and latching IR friendly tempered glass front door. RFR shall include a locking and latching melamine rear door. RFR shall have rear venting, cable entry and cable spools. RFR shall have a 60 MM (2.375 in.) cable grommet on top, that accepts a monitor mount. RFR shall accept patent-pending LeverLock™ tool free and hardware free internal cable and device management system accessories. RFR shall provide a UL Listed load capacity of 350 lbs. mounted in the rack, 50 lbs. on top of the rack and 35 lbs. on the optional monitor mount. RFR shall be UL Listed in the US and Canada. RFR shall be GREENGUARD Gold Certified. RFR shall be manufactured by an ISO 9001 and ISO 14001 registered company. RFR enclosure shall be warrantied to be free from defects in material or workmanship under normal use and conditions 7 years.

Customizable specification clips available at middleatlantic.com

EIA/TIA COMPLIANT



PRODUCT CERTIFIED FOR
LOW CHEMICAL EMISSIONS
UL.COM/GG
UL 2818



PEP
ECO
PASS
PORT®

options:

- Rear Rackrail Kits shall be model # RFR-ERRK- __ (16, 20, 24), # equals rackspaces, which must match number of rackspaces in rack.
- Monitor mount shall be model # MMB-1X1-12BLK, shall have a VESA 75 and 100 pattern, and have a 17.6 lb. weight capacity
- LeverLock™ mounts shall be model number LL-RFR
- Rear blower kit shall be model # RFR-CABCOOL50 and provide 50 CFM of cooling with 27 dB of noise

what **great systems** are built on.™

A Group brand | **legrand**



Middle Atlantic Products

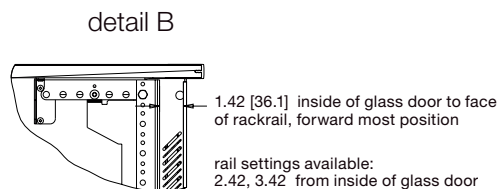
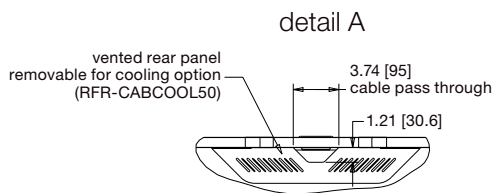
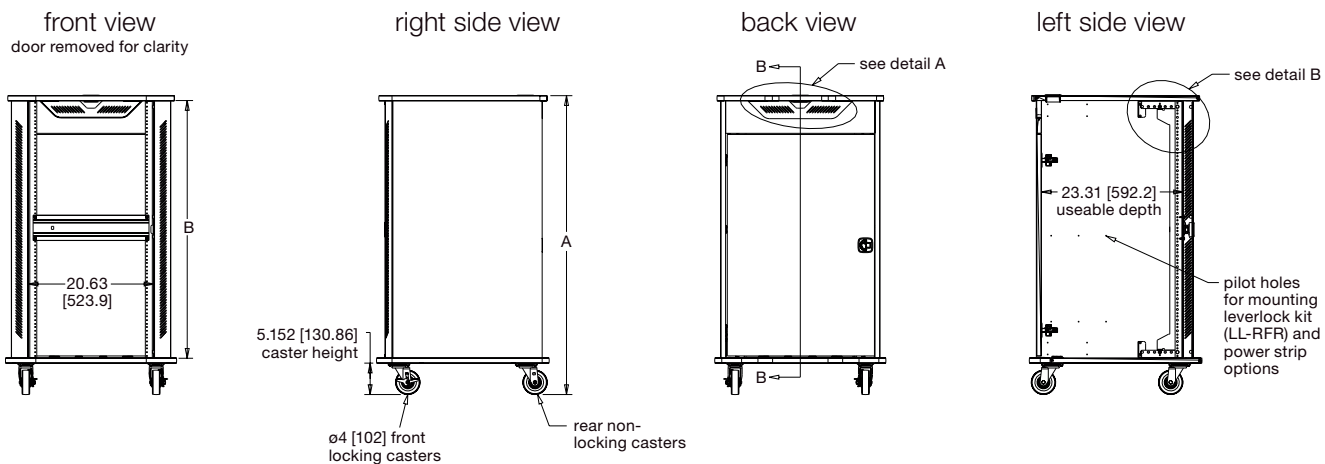
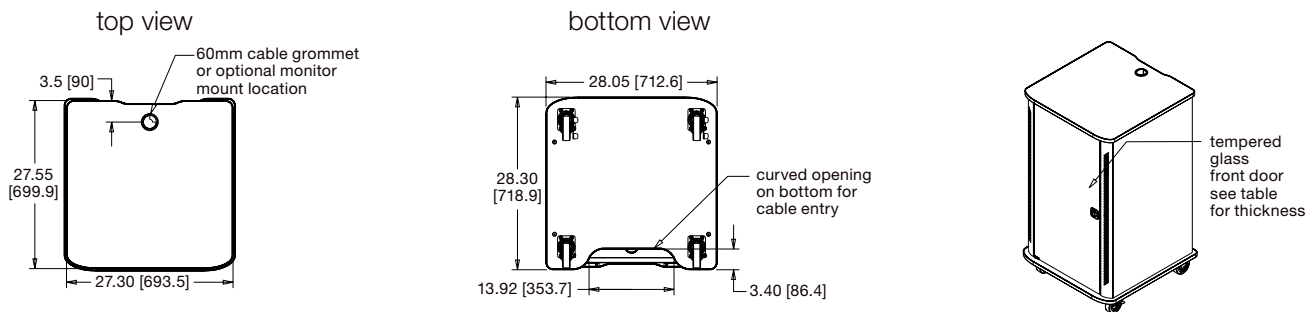
middleatlantic.com | middleatlantic.ca

96-01174 / rev e / 3-5-18

RFR Series

basic dimensions

all dimensions in inches unless otherwise noted [all dimensions in brackets are in millimeters]



Part #	A Overall Height	B Inside Height	Rackspaces	Glass Thickness
RFR-1628-XX	34.95 [888]	28.25 [718]	16 space	1/8"
RFR-2028-XX	41.95 [1065]	35.25 [895]	20 space	1/8"
RFR-2428-XX	48.95 [1243]	42.25 [1073]	24 space	3/16"

Notes:

- Part number structure, where "XX" equals one of the following:
BR = Black Cascade
TR = Teak Cascade
CR = Cherry Cascade
- Rack top, bottom, sides and rear access panel constructed from 3/4" melamine

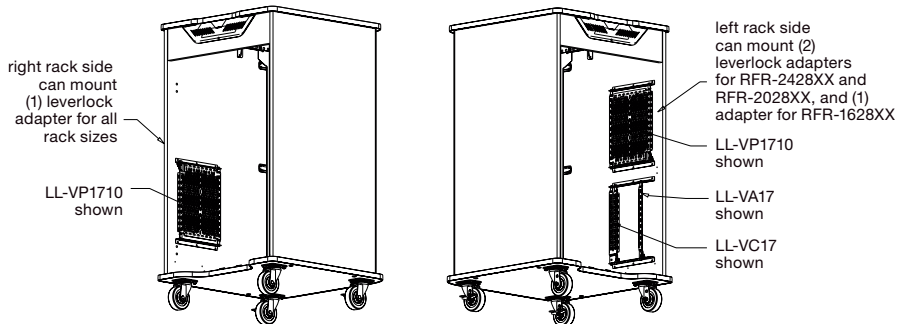
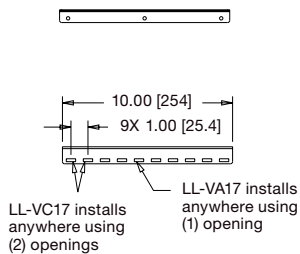
RFR Series Options

basic dimensions

all dimensions in inches unless otherwise noted [all dimensions in brackets are in millimeters]

LL-RFR LeverLock™ Brackets

LeverLock™ bracket

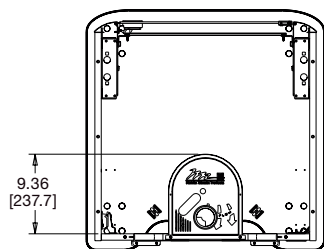


Notes:

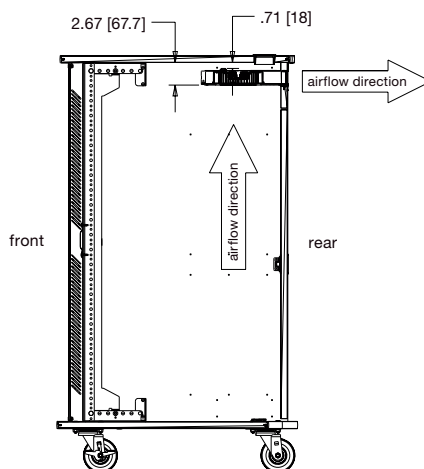
1. Pilot holes on rack sides accommodate the following LeverLock™ products: LL-VP1710 / LL-VA17 / LL-VC17
2. LeverLock™ products shown not included
3. Rear door removed for clarity

RFR-CABCOOL50

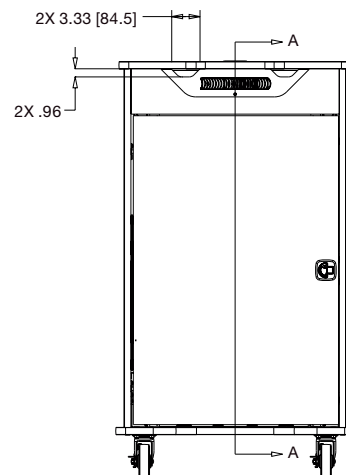
top view



right side



back view



Notes:

1. Fan Specifications:
 airflow: 50 CFM [1.4 M3/MIN]
 current draw: 550mA @12 VDC
 sound level: 29dBA @ 1 M
 static pressure: .031 IN H2O [77.22Pa]
 turn on: 87F [30.5°C]
 turn off: 85F [29.4°C]
2. RFR-CABCOOL50 shown. International model, IRFR-CABCOOL50, comes with a universal voltage plug-in power supply and adapters.
3. Top removed for clarity