

Raceway
Aluminum Raceway
HBLALU5000 Series Two Channel Base

HUBBELL

Features

- Satin anodized finish
- Packed 40 ft. (12.19m) per carton, 10 ft. (3m) lengths.
- Available in Pre-Wired Raceway

Ordering Information

Description	Material	UPC Number	Catalog Number
Two Channel Base	Anodized Aluminum	783585110769	HBLALU5000B10

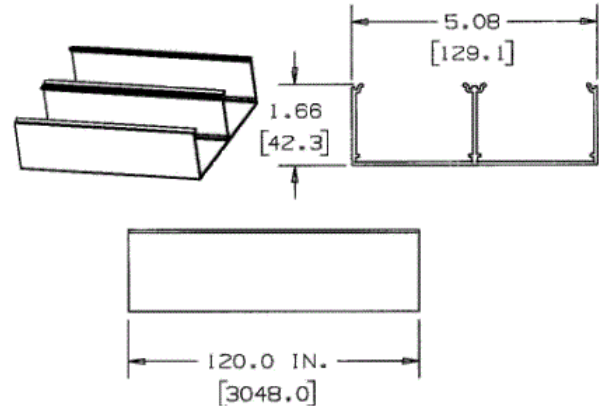


Listings

UL Listed
CSA Certified

Specifications

Height	1.66"
Width	5.08"
Length	10'



Online Resources

Customer Use Drawing
eCatalog
Installation Instructions