

# Watertight Pin and Sleeve Inlets and Receptacles

20A, 30A, 60A and 100A

## WARNINGS

- **TO AVOID FIRE SHOCK, OR DEATH, TURN OFF POWER AT CIRCUIT BREAKER OR FUSE, TEST THAT POWER IS OFF BEFORE SERVICING OR WIRING!**
- These devices conform to IEC standards 60309-1 and 60309-2. The construction is such that each device cannot be mated with another IEC device of different specifications (i.e., voltage, amperage or system rating). For safety purposes, do not use a non-IEC device with these pin and sleeve devices. The specifications for non-IEC devices are established by the individual manufacturers, and may not meet IEC standards. **IMPROPER MATING OF DEVICES MAY CAUSE AN ELECTRICAL HAZARD WHICH MAY CAUSE FIRE, SHOCK OR DEATH.**

- Examine devices periodically for any foreign matter that may contaminate the contacts or the insulation material separating the contacts. Contamination decreases the device's insulation properties. This increases the potential for arcing and possibly decreases the product's life and may cause fire and/or shock hazard. The frequency of inspection depends upon the degree of contamination.
- If you are unsure about any part of these instructions, consult an electrician.
- To be installed and/or used in accordance with electrical codes and regulations (Including NEC/CEC, as applicable).

## CAUTION

- Use this device only with copper or copper clad wire.

## QUICK INSTALL GUIDE

ENGLISH

### Cleaning Procedures

**WARNING: RISK OF ELECTRIC SHOCK. TURN OFF POWER AT CIRCUIT BREAKER OR FUSE. DO NOT** clean this product while undergoing electrical maintenance or service.

**CAUTION:** Use only chemicals and cleaning solutions that are safe for use with plastics and rubber gaskets.

**CAUTION: DO NOT** direct or concentrate high pressure water or cleaning solution on the enclosure gasket seams, switch handle area or exterior labels.

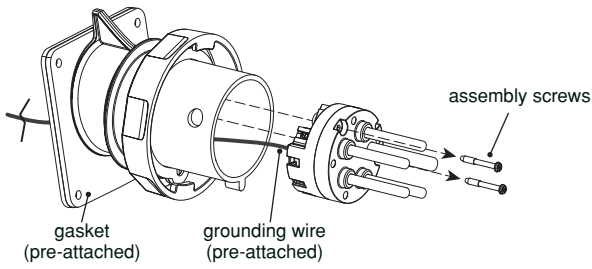
**NOTE:** Follow general cleaning procedures established by your facility.

**NOTE:** This product is certified by NSF<sup>®</sup> International to NSF/ANSI/3-A 14159-1.

- Use hose directed water or cleaning solution to remove any collected contaminants from behind the enclosure.
- Use hose directed water or cleaning solution to remove soil and contaminants from the exterior surfaces of the enclosure.
- Use a dry clean cloth to wipe away any excess water.

## 20A and 30A Inlet Installation

### 1. Unscrew contact carrier.



### 2. Wire.

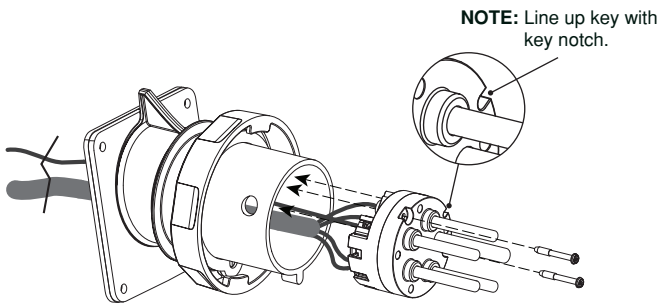
Cut and strip cable jacket and conductors (Table 1 and Stripping and Wiring Diagram).

**WARNING: TO AVOID FIRE, SHOCK OR DEATH,** connections must be made in the same sequence as existing device connections. Thread and connect wires (Table 2 and Stripping and Wiring Diagram). Tighten terminal screws (Table 4). **NOTE:** Allen key included.

**NOTE:** Separate grounding wire has been pre-installed. Connect ground wire first.

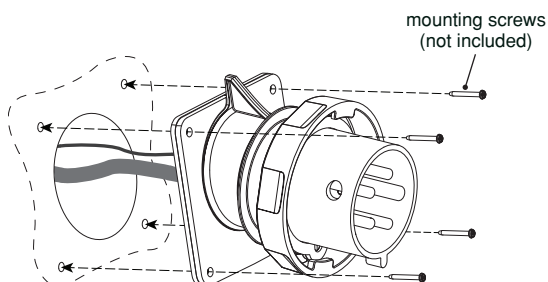
### 3. Reconnect contact carrier.

Tighten terminal screws (Table 4).



### 4. Mount.

Mount (Table 5) and tighten mounting screws.



If mounting to a backbox, use Leviton:  
BX230LEV - non-metallic  
BX230LEVM metallic

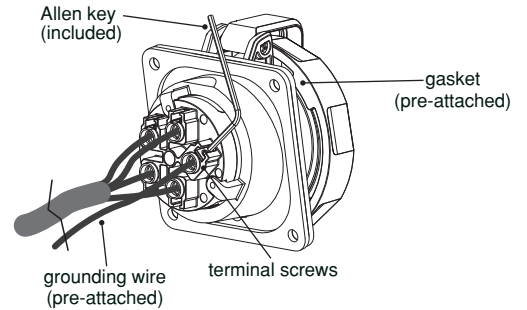
## 20A and 30A Receptacle Installation

### 1. Wire.

Cut and strip cable jacket and conductors (Table 1 and Stripping and Wiring Diagram).

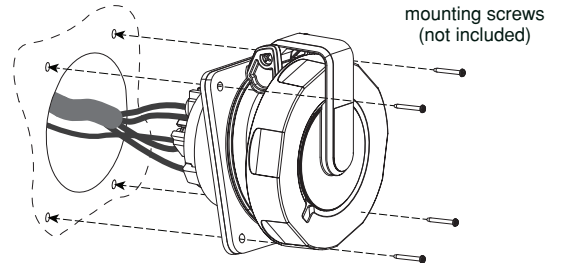
**WARNING: TO AVOID FIRE, SHOCK OR DEATH,** connections must be made in the same sequence as existing device connections. Connect wires (Table 2 and Stripping and Wiring Diagram). Tighten terminal screws (Table 4).

**NOTE:** Separate grounding wire has been pre-installed. Connect ground wire first.



### 2. Mount.

Mount (Table 5) and tighten mounting screws (Table 4).



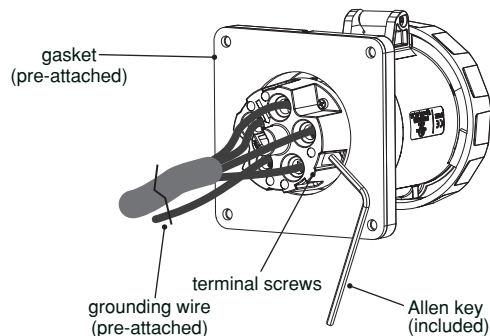
## 60A and 100A Receptacle Installation

### 1. Wire.

Cut and strip cable jacket and conductors (Table 1 and Stripping and Wiring Diagram).

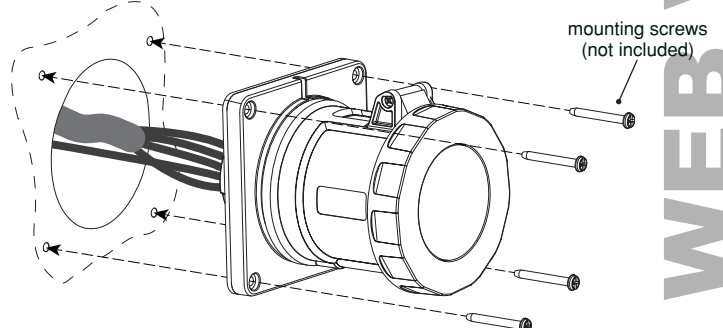
**WARNING: TO AVOID FIRE, SHOCK OR DEATH,** connections must be made in the same sequence as existing device connections. Connect wires (Table 2 and Stripping and Wiring Diagram). Tighten terminal screws (Table 4).

**NOTE:** Separate grounding wire has been pre-installed. Connect ground wire first.



### 2. Mount.

Mount (Table 5) and tighten mounting screws.



WEB VERSION

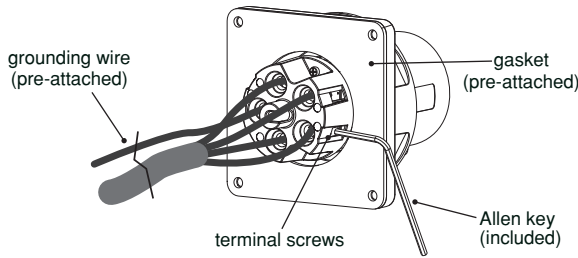
# 60A and 100A Inlet Installation

## 1. Wire.

Cut and strip cable jacket and conductors (See Table 1 and Stripping and Wiring Diagram).

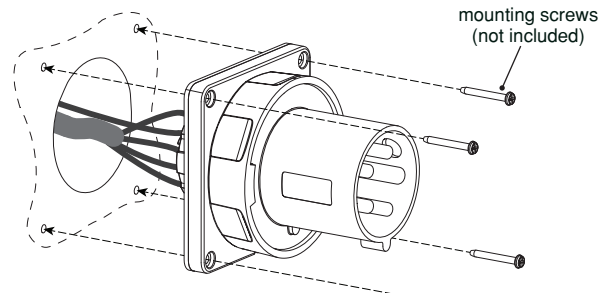
**WARNING: TO AVOID FIRE, SHOCK OR DEATH,** connections must be made in the same sequence as existing device connections. Connect wires. (See Table 2 and Stripping and Wiring Diagram). Tighten terminal screws (Table 4).

**NOTE:** Separate grounding wire has been pre-installed. Connect ground wire first.



## 2. Mount.

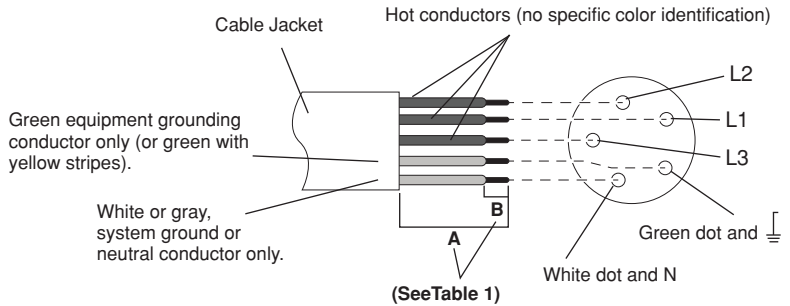
Mount (Table 5) and tighten mounting screws.



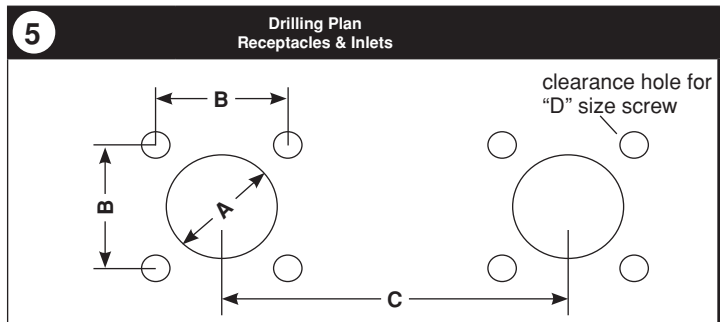
If mounting to a backbox, use Leviton:  
 BX60LEV (60A), BX100LEV (100A) - non-metallic  
 BX60LEV (60A), BX100LEV (100A) - metallic

1 Cable Stripping Guide							
Device	No. Wires	No. Conductors	Cable Jacket (A)		Conductor (B)		
			Inches	mm	Inches	mm	
20A	All	All	1.375	35	0.375	10	
30A			1.625	41	0.625	16	
60A			3	76	1	25	
100A			3.5	89	1	25	

## Stripping and Wiring Diagram



2 Terminal Identification Chart	
⏚ and green color	Equipment ground conductor
N and white color	Grounded circuit conductors (neutral)
L1, L2, L3	Ungrounded circuit conductors (line, hot)
Pilot	Control circuit conductor.



3 Wire Sizes								
Device	From			To			Grip Range Min./Max. Wire Diam. (in)	Grip Range Min./Max. Wire Diam. (mm)
	AWG	COND	TYPE	AWG	COND	TYPE		
20A	#14	3	S	#10	3	S	0.330/0.830	8/21
		4			4			
		5			5			
30A	#12	3	S	#8	3	S or W	0.580/1.125	15/29
		4			4			
		5			5			
60A	#8	3	S or W	#2	3	W	0.875/1.450	22/37
		4			4			
		5			5			
100A	#6	3	W	#0	3	W	0.725/1.600	18/41
		4			4			
		5			5			

4 Screw Tightening Guide in-lbs (N-m)			
Device	Terminal Screws	Pilot Terminal Screws	Assembly Screws
20A	20 (2.26)	N/A	8 (0.9)
30A	20 (2.26)	N/A	8 (0.9)
60A	50 (5.65)	20 (2.26)	N/A
100A	50 (5.65)	20 (2.26)	N/A

No. Wires; Device	A		B		C (min)		D
	Inches	mm	Inches	mm	Inches	mm	
20A;3 Receptacle	3.26	83	3.12	79.5	3.94	100	#10
20A;3 Inlet	3.26	83	3.12	79.5	3.94	100	#10
20A;4 Receptacle	3.26	83	3.12	79.5	4.33	110	#10
20A;4 Inlet	3.26	83	3.12	79.5	4.33	110	#10
20A;5 Receptacle	3.26	83	3.12	79.5	4.92	125	#10
20A;5 Inlet	3.26	83	3.12	79.5	4.92	125	#10
30A;3 Receptacle	3.26	83	3.12	79.5	5.12	130	#10
30A;3 Inlet	3.26	83	3.12	79.5	5.12	130	#10
30A;4 Receptacle	3.26	83	3.12	79.5	5.12	130	#10
30A;4 Inlet	3.26	83	3.12	79.5	5.12	130	#10
30A;5 Receptacle	3.26	83	3.12	79.5	5.71	145	#10
30A;5 Inlet	3.26	83	3.12	79.5	5.71	145	#10
60A; All	2.76	70	3.86	98	6.69	170	#10
100A; All	3.47	88	4.88	124	7.87	200	#10

### FOR CANADA ONLY

For warranty information and/or product returns, residents of Canada should contact Leviton in writing at Leviton Manufacturing of Canada ULC to the attention of the Quality Assurance Department, 165 Hymus Blvd, Pointe-Claire (Quebec), Canada H9R 1E9 or by telephone at 1 800 405-5320.

### LIMITED 5 YEAR WARRANTY AND EXCLUSIONS

Leviton warrants to the original consumer purchaser and not for the benefit of anyone else that this product at the time of its sale by Leviton is free of defects in materials and workmanship under normal and proper use for three years from the purchase date. Leviton's only obligation is to correct such defects by repair or replacement, at its option. For details visit [www.leviton.com](http://www.leviton.com) or call 1-800-824-3005. This warranty excludes and there is disclaimed liability for labor for removal of this product or reinstallation. This warranty is void if this product is installed improperly or in an improper environment, overloaded, misused, opened, abused, or altered in any manner, or is not used under normal operating conditions or not in accordance with any labels or instructions. There are no other or implied warranties of any kind, including merchantability and fitness for a particular purpose, but if any implied warranty is required by the applicable jurisdiction, the duration of any such implied warranty, including merchantability and fitness for a particular purpose, is limited to five years. Leviton is not liable for incidental, indirect, special, or consequential damages, including without limitation, damage to, or loss of use of, any equipment, lost sales or profits or delay or failure to perform this warranty obligation. The remedies provided herein are the exclusive remedies under this warranty, whether based on contract, tort or otherwise.

For Technical Assistance Call: 1-800-824-3005 (USA Only) or 1-800-405-5320 (Canada Only) [www.leviton.com](http://www.leviton.com)