

DATA SHEET

Q-Series Standard Density Wall Mount Fiber Enclosure



Overview

The Q-Series Wall Mounted fiber enclosure system is designed to support standard density LAN or POL applications in building networks. The all steel chassis enables reliable protection and management of fiber optic cable patching, splicing, and connecting. The enclosure also enables distribution of backbone cabling to active equipment, switching, or cross/interconnect horizontal area. The 2 panel footprint accommodates up to 48 LC fibers, while the 4 panel accommodates up to 96 LC fibers. Each enclosure is compatible with OFP Adapter Panels, Compact 12 Fiber Splice Trays, and M2 Pre-terminated or Splice Cassettes.

Features

- **Standard Density:** Accepts 12 or 24 fiber M2 pre-terminated or splice cassettes, FST4-F012C splice tray, and OFP adapter panels
- **Low-Profile Design:** Providing unobtrusive protection and management of all enclosed cabling infrastructure
- **Cable Management:** Protect and safely route all sensitive fibers with the included cable management system, central strength member bracket, and bend limiters
- **Cable Ingress and Egress:** Four ingress or egress points with rubber grommets help to protect and route all connectivity infrastructure.

Part Number	Description
WQS-02P	Q-Series 2 Panel Standard Density (SD) Wall Mount Fiber Enclosure
WQS-04P	Q-Series 4 Panel Standard Density (SD) Wall Mount Fiber Enclosure

Dimensions

Part Number	Depth (Metric)	Depth (US)	Height (Metric)	Height (US)	Width (Metric)	Width (US)
WQS-02P	88.90 mm	3.50 in	228.60 mm	9.00 in	254.00 mm	10.00 in
WQS-04P	88.90 mm	3.50 in	304.80 mm	12.00 in	406.40 mm	16.00 in

Splice Tray

Part Number	Description
FST4-F012	Q-Series, Compact 12 Fiber Splice Tray
WQS-STB	Q-Series Compact 12 Fiber Splice Tray Mounting Bracket (Order Separately From: FST4-F012)

DATA SHEET

Q-Series Standard Density Wall Mount Fiber Enclosure

General Information

- Color: Black
- Installation: Wall Mount
- Product Series: Q-Series
- Type: Standard Density Fiber Enclosure

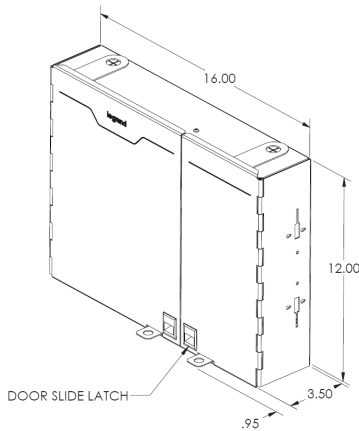
Listing Agencies/Third Party Certifications

- RoHS: Yes

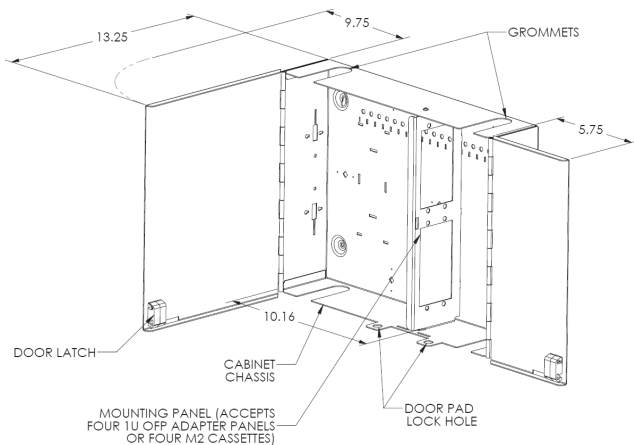
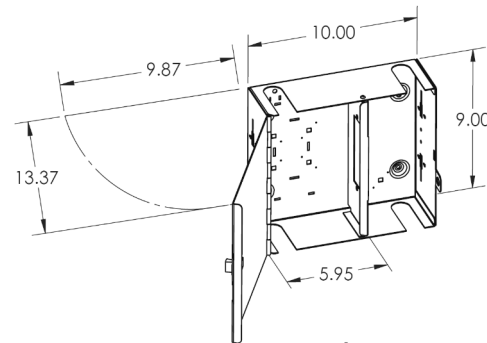
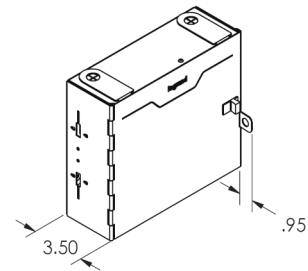
Technical Information

- Mounting Hardware Included: No
- Compatibility:
 - M2 Pre-Terminated or Splice Cassette
 - OFP Adapter Panels
 - FST4-F012C Splice Tray
- Cable Management Included:
 - HILOC Cable Management Cradle
 - Central Strength Member Bracket
 - Bend Limiters

WQS-04P



WQS-02P



Legrand, North and Central America

60 Woodlawn Street
West Hartford, CT 06110
1.877.BY.LEGRAND (295.3472)
www.legrand.us