



PDW Series High Capacity Custom Power Strips



EXCEPTIONAL SUPPORT & PROTECTION™

Custom configured power strips with quick availability, and NRTL listed to UL 60950

Features

- Up to 20 circuits, and up to 40 receptacles
- Isolated or standard ground
- Option for common, or dedicated ground wires for each circuit
- Lengths up to 84"
- Custom terminations (top or bottom mounted)
- Choice of outlet colors: white, ivory, brown, blue, gray, orange (isolated ground only)
- Receptacles: 15 Amp, 20 Amp, 20 Amp twistlock, 30 Amp twistlock, IEC
- Laser engraved markings for circuit identification
- Custom laser engraved messaging and graphical logos on request
- Easy to use on-line configurator www2.middleatlantic.com/pdw
- Most models are made to your specifications and ship within 4 days



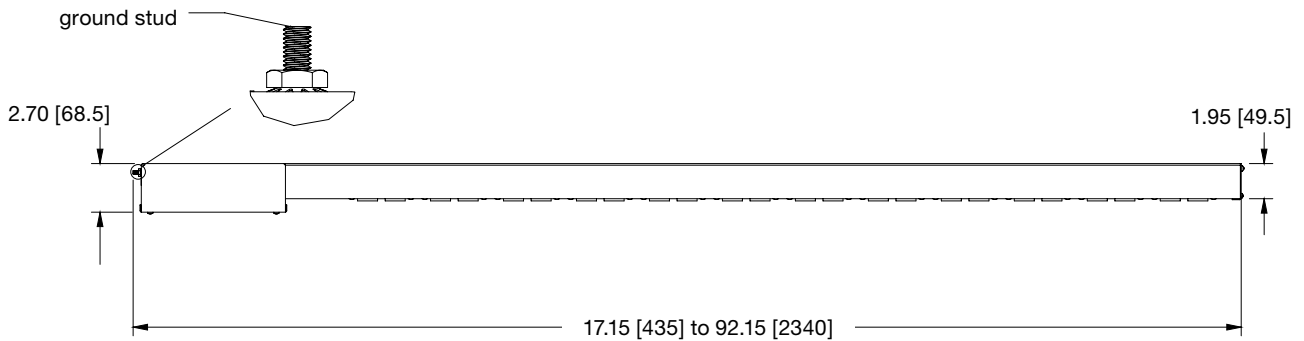
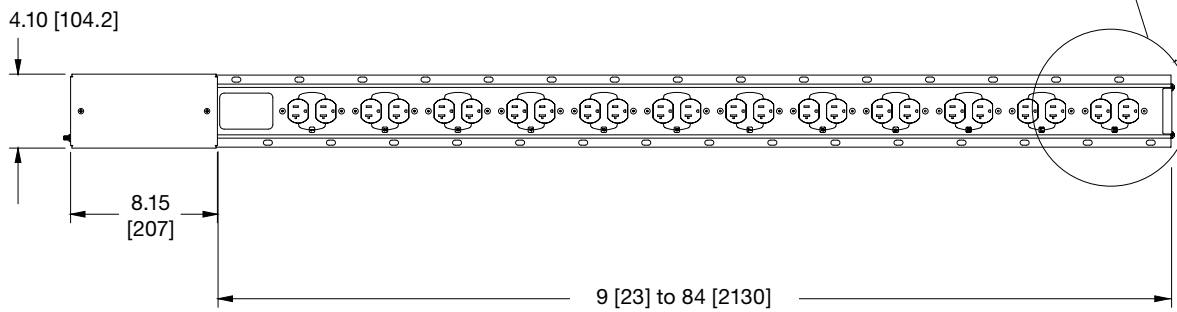
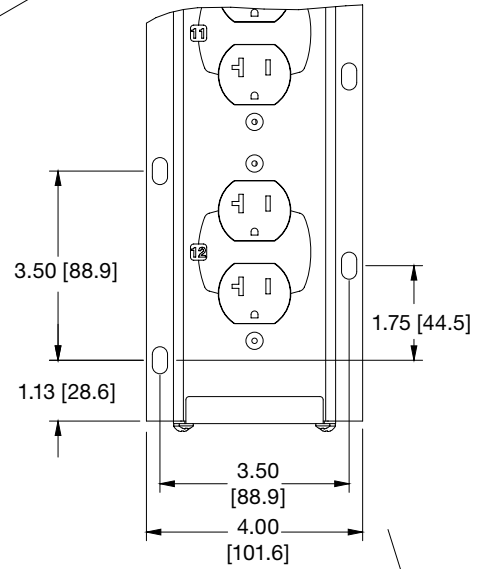
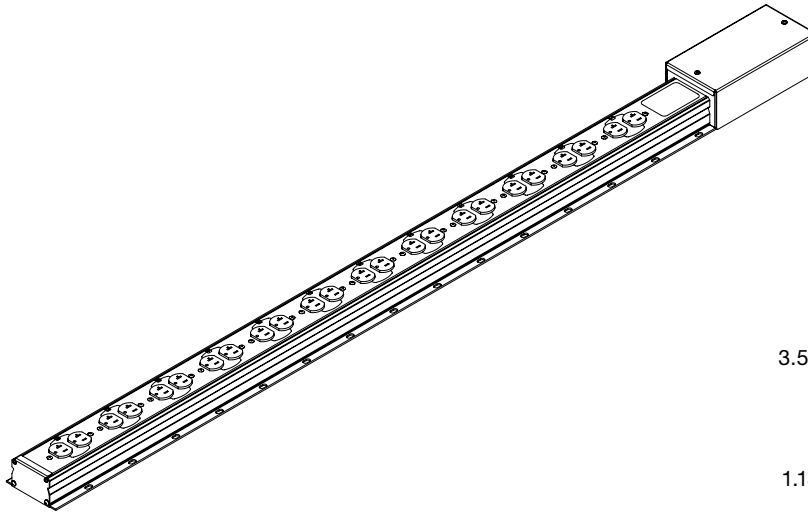
Architects and Engineers' Specifications

High capacity custom power strip shall be Middle Atlantic Products model # PDW- (refer to online configurator to determine part and configuration number). PDW shall be ___ long x ___ deep x 4.1" wide with ___ (from 2 to 40) receptacles and ___ NEMA or IEC receptacles ___ (isolated, non-isolated) ground with ___ (common, individual) conductors. PDW shall contain ___ (from 1 to 20) circuits. Outlets shall be ___ (white, ivory, brown, blue, gray, orange (isolated ground only)) in color and be numbered. Power connection shall be at ___ (top, bottom) Outlet ground shall face the ___ (top, bottom) feed. Power termination shall be ___ (junction box, male nipple flexible Greenfield conduit). PDW shall be ETL listed in the United States and Canada to UL standard 60950. PDW shall be warranted to be free from defects in material and workmanship under normal use and conditions for a period of 3 years.

96-01119 / rev e / 5-26-20 / PDW Series High Capacity Custom Power Strips

CUSTOMIZABLE SPECIFICATION CLIPS AVAILABLE AT MIDDLEATLANTIC.COM

PDW Series High Capacity Custom Power Strips



All dimensions in inches unless otherwise noted [All dimensions in brackets are in millimeters]