

Floor Boxes
SystemOne Round Recessed 4 Gang Floor Box
For use in Raised Access or Wood Floors

HUBBELL

Features

- 8 in. diameter fits in air-diffuser holes
- Stamped steel construction
- Relocatable low voltage partitions
- Equal size device plates for installation flexibility
- Round covers

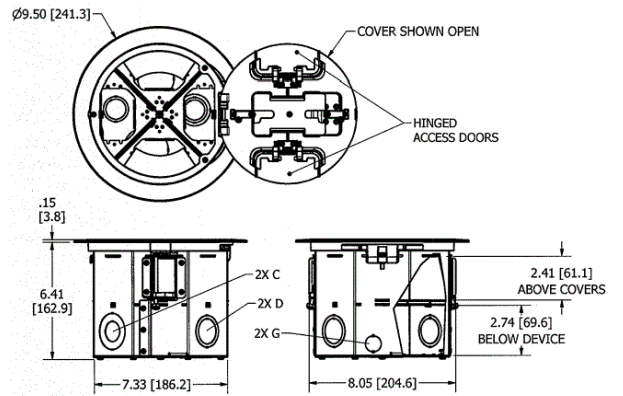
Ordering Information

- Temporary cover for use prior to trim-out
- One grounding screw per gang

Catalog Number RAFB4ALU	UPC Number 783585445229	Cover Series CFBS1R8xx - Included	Box Type Raised Access
Device Volume 28 1/2 cu in.	Depth Behind Mounting Plate 2 3/4 in..	Max. Tile Thickness 2 in.	Min. Tile Thickness 3/4 in.

Specifications

Box Material	16 gauge galvanized steel
Access Cover Material (ordered separately)	Die cast aluminum



Online Resources

[eCatalog](#)