

NEXTSPEED®

Jacks

HUBBELL

Xcelerator Category 6 Jack

Features

- Third Party Verified Category 6 Component Compliant
- Exclusive 1-Punch Termination Reduces Termination Time by 75%
- Mating Cycles Exceed Industry Standard by Four Times

Ordering Information

Description	Color	Catalog No.	UPC
NEXTSPEED Xcelerator Category 6 Component Jack, 24 Jacks	White	HXJ6W24	662620663906

Listings

ANSI/TIA/EIA-568-C.2 Category 6 component
 ISO 11801/60603-7-41 Category 6 component
 Mechanical: Verified to TIA-568-C.2
 UL Listed 1863
 Mechanical TIA-568-C.2
 CSA Certified
 RoHS Compliant

Specifications

Nose Contact	Beryllium copper with precious metal plating over nickel under plating
IDC Contact	Phosphor bronze with 100 micro-inch tin lead 60/40 plating over nickel under plating
Housing	High impact thermoplastic (UL 94 V-0)
Stuffer Cap	Lexan® (UL 94 V-0)

Performance

Electrical

Center balanced to Category 6 plug specifications
 Positive PSACR beyond 300 MHz (channel)
 4+Gbs capacity within the bandwidth of 1-250MHz (channel)
 Qualified to 150% of 802.3bt PoE Current Level

General Information

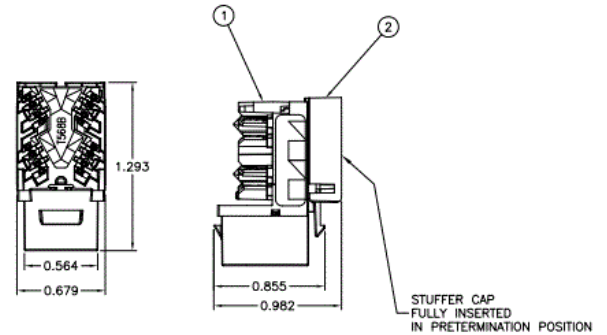
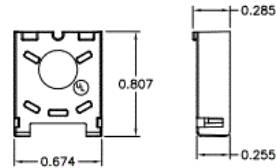
Backward compatible to lower installed Categories
 Icon Compatible Supporting 606-B requirements
 100% factory tested

Mechanical

Nose Contact Mating Cycles: 2000
 IDC Contact Termination: 10x
 Keystone Latching Force: 25 lbs.
 Contact performance confirmed over the full range of ISO/FCC compliant plug

Applications

IEEE 802.3ab 1000GBASE-T
 IEEE 802.3bt 4PPoE Power over Ethernet
 TIA TSB-155 10GbE Over 55 Meters



Accessories

1-Punch Tool	TX4P
Category 6 Patch Cord	HC6W03
Dust Cover	HXJDC25
Termination Puck	HXTP25
Category 6 Cable	C6SPB

Online Resources

eCatalog

