

Single-Gang QuickPlate™ Tempo Wallplates with ID Windows

APPLICATION

Leviton patented Single-Gang QuickPlate Tempo Wallplates accept QuickPort™ snap-in modules to support multimedia station applications. They are ideal for use where port designation windows in a one-piece, single-gang, economical flush-mount housing is desired. Wallplates are available with two or four ports.



42090-2WS



42090-4WS



Rear View

SPECIFICATION

The wallplate housing shall be a one-piece, single-gang flush-mount style. It shall be available in 2- or 4-port configurations. It shall accept all Leviton QuickPort connectors. Wallplate shall feature clear port ID windows. Wallplate shall connect to the wallboard using Leviton patented design and arm members. It shall be made of high-impact, fire-retardant plastic rated UL 94V-0, and be cULus Listed and compliant with ANSI/TIA-568.0-D specifications.

FEATURES

- Patented rear wings tighten to wallboard, eliminating the need for a box or mounting brackets and supporting fast, one-step installation with a flush mount
- Wings accommodate 5/8 inch and under wallboard thickness
- Center lines included as a guide for easy alignment
- ID windows act as marking template for cutting hole in wallboard
- Includes ID designation window for each wallplate
- Patented Design (US Patent 7468487)
- Compatible with all individual QuickPort connectors
- Individual port configurability allows specification flexibility

DESIGN CONSIDERATIONS

- Matches Leviton standard wallplate dimension
- Use blanks (41084-0BW) in unused ports for future expansion
- To identify ports, use different colored connectors for each application or Leviton pre-printed Port Designation Labels (41080-LEB)

STANDARDS & REGULATIONS

- cULus Listed (UL 1863 & CAN/CSA-C22.2 No. 182.4)
- ANSI/TIA-568.0-D

MECHANICAL SPECIFICATIONS

- Dimensions: See page two
- Materials: High-impact, fire-retardant plastic rated UL 94V-0
- Capacity: Available in 2 or 4 ports
- Mounting: Screws

COUNTRY OF ORIGIN

USA

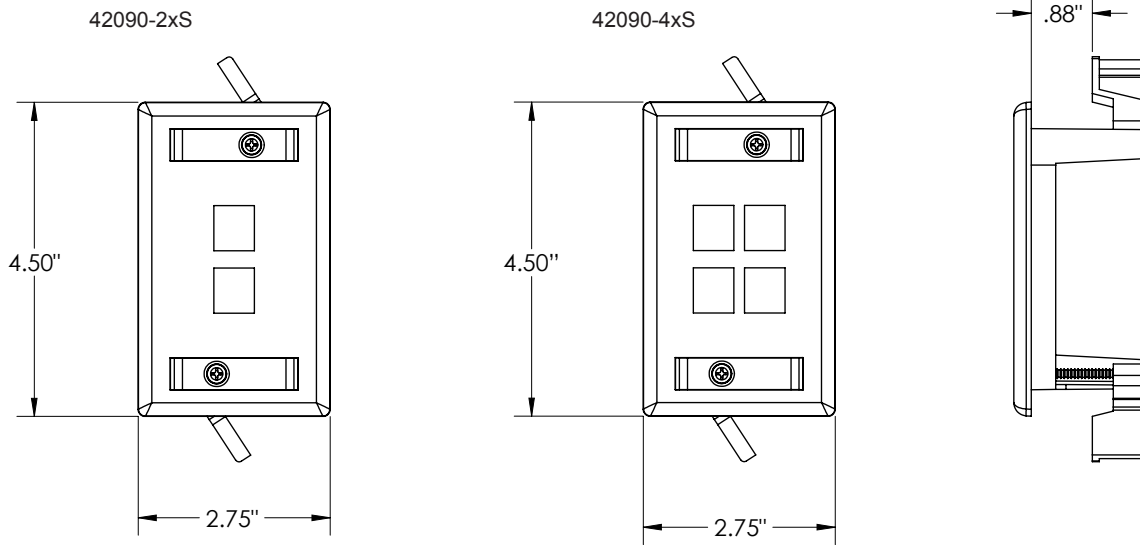
WARRANTY INFORMATION

For Leviton product warranties, go to leviton.com/warranty

PRODUCT SPECIFICATIONS
42090-xWS



42090-xWS



PART NUMBERS

| Description | Part No. |
|---|-----------|
| Single-Gang QuickPlate™ Tempo Wallplate with ID Windows, 2 ports, white | 42090-2WS |
| Single-Gang QuickPlate Tempo Wallplate with ID Windows, 4 ports, white | 42090-4WS |

For further support information, visit leviton.com/ns/support

NETWORK SOLUTIONS GLOBAL HEADQUARTERS

Bothell, WA, USA | leviton.com/ns
 (800) 824 3005 / +1 (425) 486 2222 | appeng@leviton.com

NETWORK SOLUTIONS EUROPEAN HEADQUARTERS

Glenrothes, UK | leviton.com/ns/emea
 +44 (0) 1592 772124 | customerserviceeu@leviton.com

Leviton is dedicated to designing, developing and manufacturing sustainable high-performance structured cabling and speciality cabling solutions. Network Solutions products are available worldwide in over 100 countries. Visit us online to learn more.