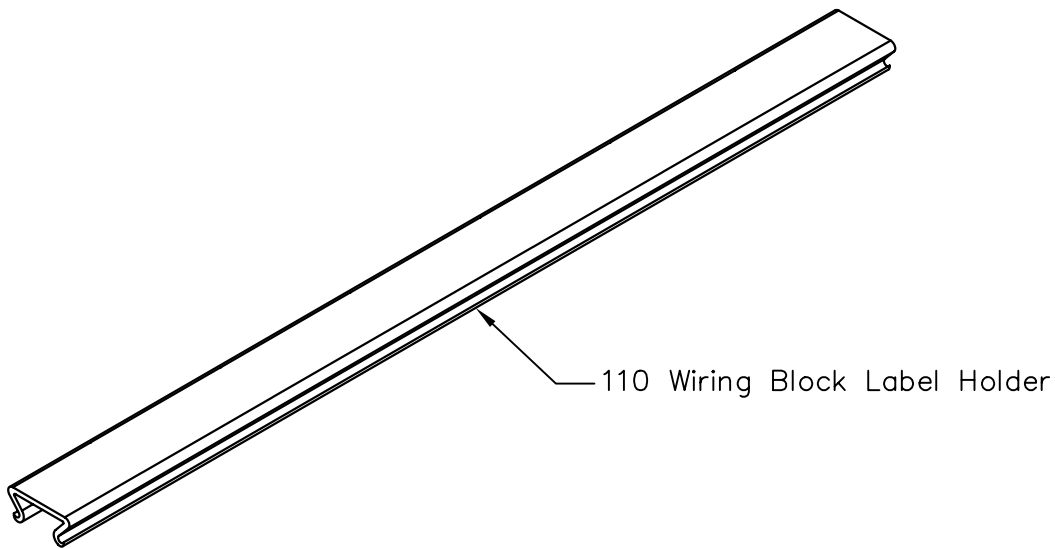


110 Wiring Block Label Holder

PRODUCT SPECIFICATION


Package includes:

- A. 110 Wiring Block Label Holder, 6 pcs

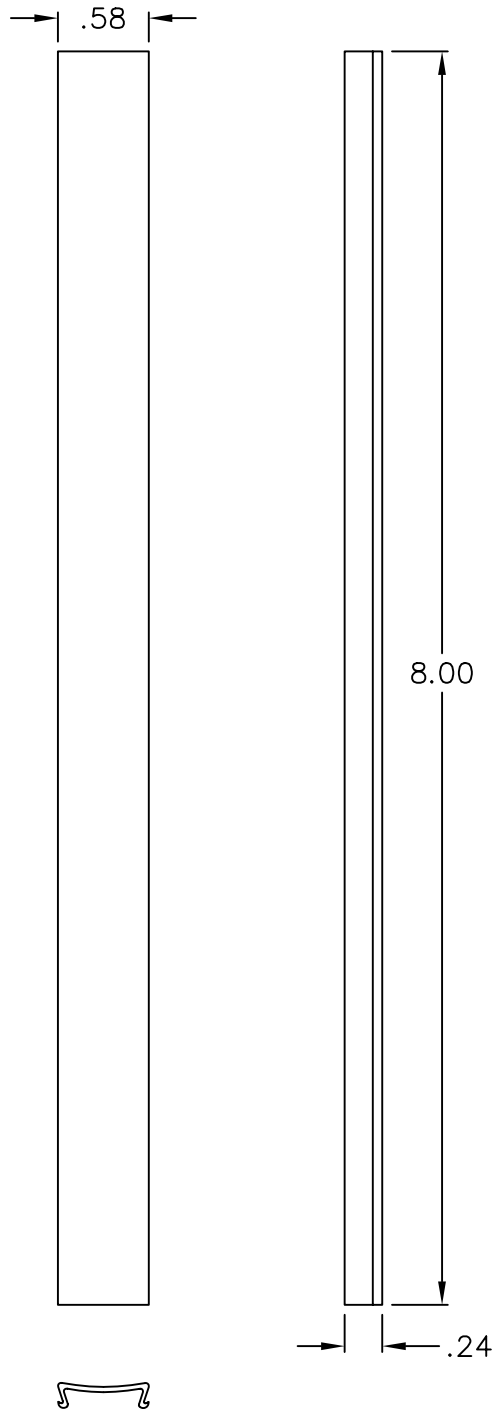


Features and Benefits:

- Easy system administration with IC110LBL color labels
- Used with IC110 wiring block

110 WIRING BLOCK LABEL HOLDER, 6 PK		 <i>PremiumProducts</i> <i>ProvenPerformance</i> <i>CompetitivePrices</i>	
ITEM NO.	IC110LHLDR		REV. A
DWG NO.	PS110LHLDR		PAGE NO. 1


CUSTOMER CARE / TECHNICAL SUPPORT * CSR@ICC.COM / 888-ASK-4-ICC (275-4422) * 14700 Alondra Blvd., La Mirada, CA 90638 * www.icc.com



NOTE: UNLESS OTHERWISE SPECIFIED

1. MATERIAL: PC, UL 94V-0

UL US FILE NO. 125268

110 WIRING BLOCK LABEL HOLDER, 6 PK			
ITEM NO.	IC110LHLDR		REV. A
DWG NO.	PS110LHLDR		PAGE NO. 2

CUSTOMER CARE / TECHNICAL SUPPORT * CSR@ICC.COM / 888-ASK-4-ICC (275-4422) * 14700 Alondra Blvd., La Mirada, CA 90638 * www.icc.com