

NDA-8000-WP On-camera weather protector

www.boschsecurity.com



BOSCH

Invented for life



- ▶ Corrosion-resistant finish
- ▶ Easy installation
- ▶ Protects against rain, dirt and sun
- ▶ Stylish and robust design allowing use in all environments

Certifications and approvals

Environmental

Salt mist	IEC60068-2-52
Impact	IK08

Parts included

Quantity	Component
1	On-camera weather protector
2	M5 x 81 mm pan head Torx (security) screw with Zinc coating
1	Quick Installation Guide

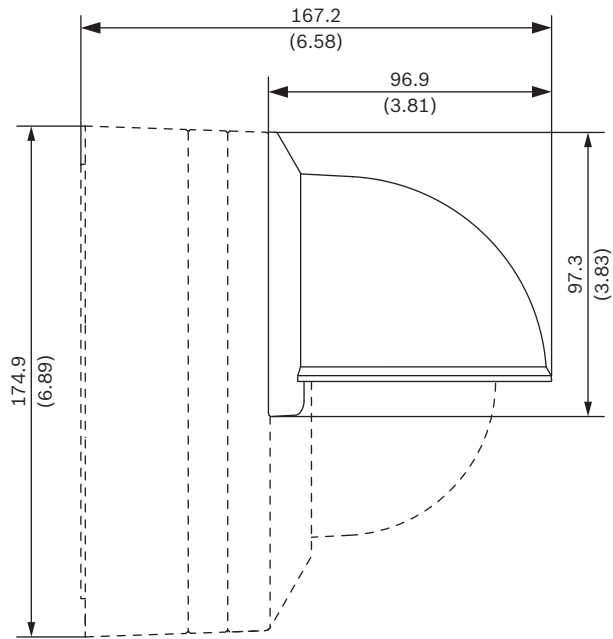
Technical specifications

Mechanical

Dimensions (W x D)	96.9 x 97.3 mm (3.81 x 3.83 in)
Weight	184 g (0.41 lb)
Standard Color	White (RAL 9003)

Mechanical

Construction Material	Aluminum alloy
Mounting	To a wall, with FLEXIDOME IP 8000i



Dimensions in mm (inch)

Ordering information

NDA-8000-WP On-camera weather protector
On-camera weather protector for FLEXIDOME IP
8000i.
Order number **NDA-8000-WP**

Represented by:

Europe, Middle East, Africa:
Bosch Security Systems B.V.
P.O. Box 80002
5600 JB Eindhoven, The Netherlands
Phone: + 31 40 2577 284
emea.securitysystems@bosch.com
emea.boschsecurity.com

Germany:
Bosch Sicherheitssysteme GmbH
Robert-Bosch-Ring 5
85630 Grasbrunn
Germany
www.boschsecurity.com

North America:
Bosch Security Systems, Inc.
130 Perinton Parkway
Fairport, New York, 14450, USA
Phone: +1 800 289 0096
Fax: +1 585 223 9180
onlinehelp@us.bosch.com
www.boschsecurity.us

Asia-Pacific:
Robert Bosch (SEA) Pte Ltd, Security Systems
11 Bishan Street 21
Singapore 573943
Phone: +65 6571 2808
Fax: +65 6571 2699
apr.securitysystems@bosch.com
www.boschsecurity.asia