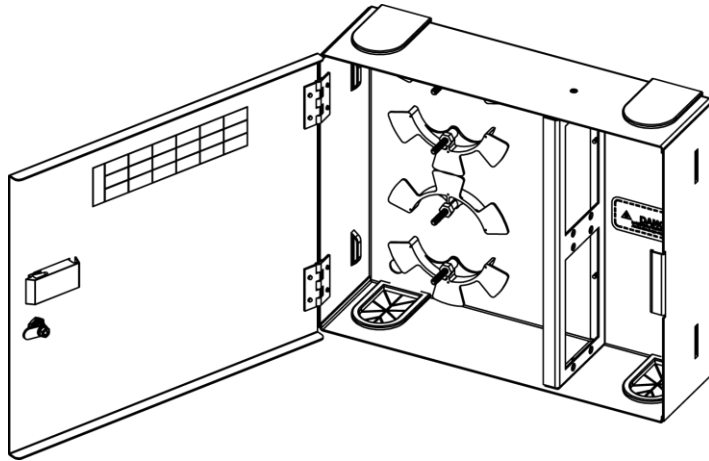


4-Panel Fiber Optic Wall Mount Enclosure

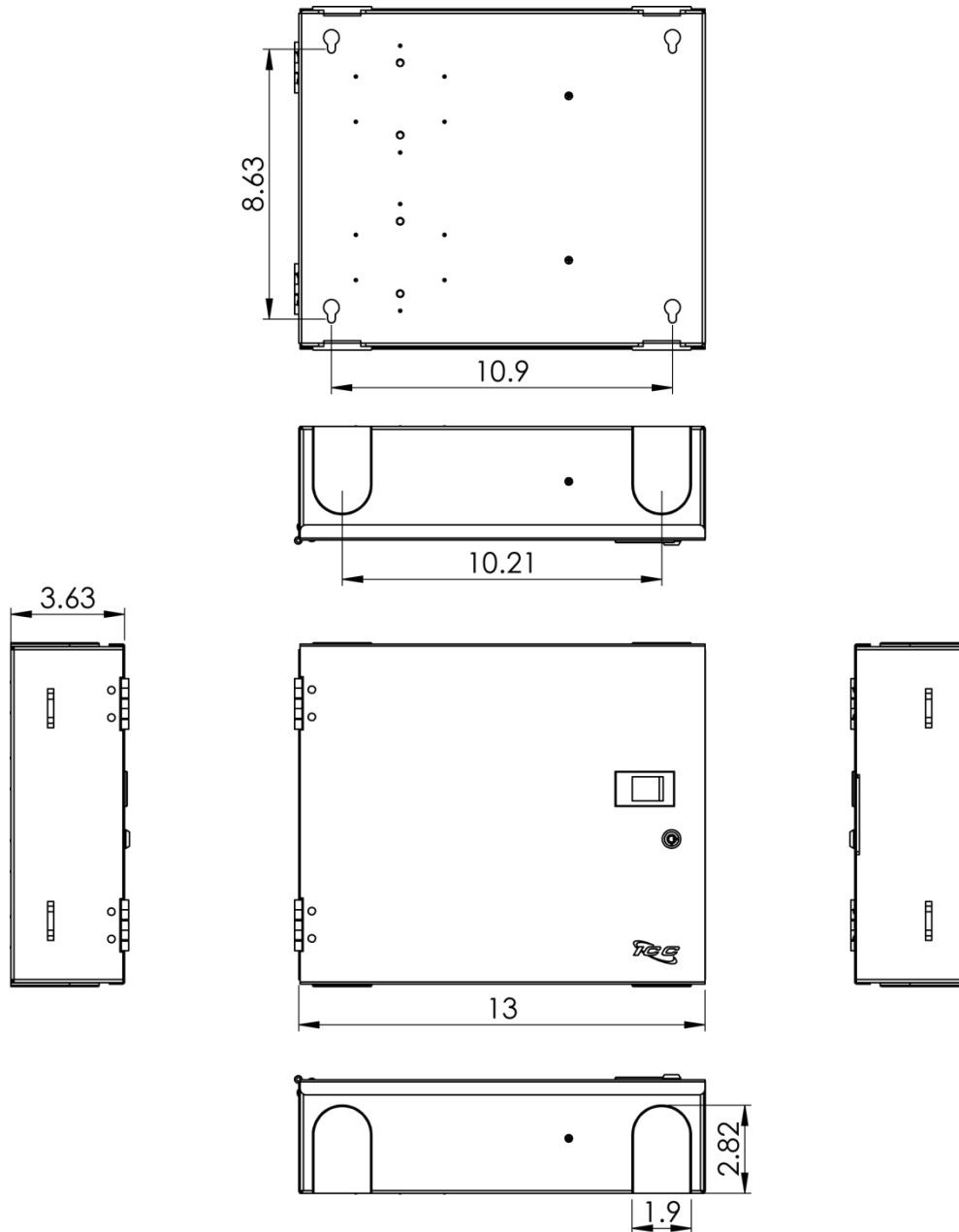


Package Includes:

- A. 4-Panel Wall Mount Enclosure, **1 Piece**
- B. Cable Management Spool, **4 Pieces**
- C. M5-0.8 Nut, **4 Pieces**
- D. Hook and Loop Ties, **4 Pieces**
- E. Key, **2 Pieces**
- F. Location Identification Label, **1 Piece**
- G. Danger Label, **1 Piece**
- H. Installation Instructions, **1 Sheet**
- I. Rubber Grommet, **4 Pieces**

Features and Benefits

- Top and bottom opening allow room for cable entry and exit
- Help minimize cable build up
- Provides easy access to managing fiber optic cable
- High-quality material and folded edge design allow for strength and durability
- Built-in, cable management spools, provide easy cable routing
- LGX® Compatible
- Holds 4 ICFOP fiber optic adapter panels or ICFCxxxxx MPO Cassette
- Accepts two ICFOSKFM12 splice trays
- Preassembled cable management spool and rubber grommet reduce installation time



NOTE: UNLESS OTHERWISE SPECIFIED

- Material:
 - Enclosure: 18GA CRS
 - Adapter Bulkhead: 16GA CRS
- Finish: Black Powder Coating