



Commercial quality with added convenience and safety.

PS15AC1-SL, PS15AC3-SL, PS20AC1-SL, PS20AC3-SL, PS15AC1-PL, PS15AC3-PL, PS20AC1-PL, PS20AC2-PL, PS20AC3-PL, PS30AC1-PL, PS30AC2-PL, PS30AC3-PL

These extra-rugged switches offer all the solid construction, excellent operating feel, and easy installation features of our Extra Heavy-Duty Switches. They add a choice of two light options. Lighted toggle switches are illuminated when off for easy location in the dark. Pilot lighted switches are illuminated when on for easy monitoring.

Features & Benefits

One-piece nickel-plated brass strap for superior corrosion-resistance.

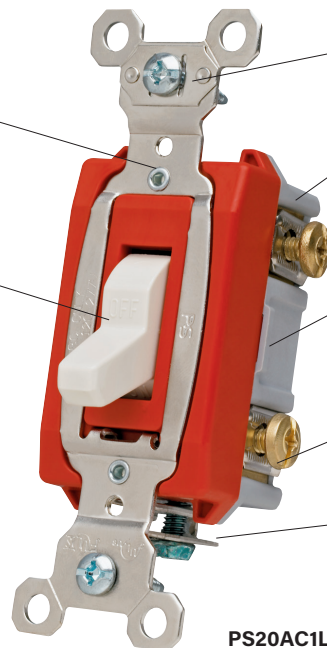
Lighted when OFF for Lighted version.
Lighted when ON for Pilot Lighted version.

Cam control and spring actuator for positive “makes and breaks” with a minimum of arcing.

Oversized silver-alloy contacts for long life and better heat dissipation

Heavy-duty, brass alloy, one-piece contact arm virtually eliminates contact bounce.

Shallow design for easier installation.



Auto-ground clip assures positive ground.

Glass-reinforced nylon back body for durability and strength.

Locking support provides resistance to face and back body separation.

Side and external screw-pressureplate back wire with #14 – #10 AWG copper or copper-clad wire.

Grounding terminal is standard with screw-pressure-plate back wire.

PS20AC1LA

3rd Party Compliance



UL Listed, File Number E140597, Standard UL20, General Use Snap Switches.
 Federal Specification WS896.
 cULus Listed, File Number LR17446, Standard CSA-C22.2 No. 111, General Use Snap Switches.
 Conforms to NEMA WD-1 and WD-6.

Ordering Information

Performance

Electrical

Dielectric Withstand Voltage	1500V Minimum
Maximum Working Voltage	277VAC
Overload	Minimum 4.8 times rated current for 100 cycles
Temperature Rise	30°C maximum at rated current
Maximum Continuous Current	277VAC
Endurance	50,000 cycles minimum, resistive, inductive, tungsten filament lamp load (Fed Spec)

Mechanical

Terminal Accommodation	#14 AWG - #10 AWG
------------------------	-------------------

Environmental

Flammability	UL94 V2
Operating Temperature	Maximum continuous +115°C, minimum -40°C

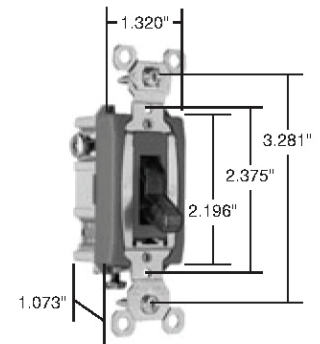
Materials

Back Body	Glass-Reinforced Nylon
Front Body	Nylon
Toggle	Thermoplastic Polycarbonate
Terminals	Brass
Terminal Screws	Tri-Drive Brass
Strap	Nickel-Plated Brass
Pressure Plate	Brass
Contacts	Silver Cadmium Oxide
Spring Arm	Brass
Bumper	Rubber
Spring	Zinc-Plated Steel
Ground Terminal	Brass
Ground Screw	Tri-Drive Zinc-Plated Steel
Auto-Ground Clip	Nickel-Plated Brass
Illuminating Lamp	Neon

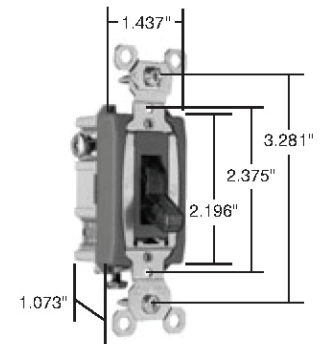
15 Amp Cover Blue
 20 Amp Cover Red
 30 Amp Cover Green

Warranty

1 Year



**Dimensions for
 15 & 20 Amp Lighted
 and Pilot Lighted**



**Dimensions for
 30 Amp Lighted
 and Pilot Lighted**

Ordering Information

Catalog Number			Rating		Color
Single Pole	Double Pole	Three-Way	A	V	
Lighted Toggle Switches (Lighted when OFF) Back & Side Wire					
PS15AC1-CSL		PS15AC3-CSL	15A	120/277	Clear
PS15AC1-ISL		PS15AC3-ISL	15A	120/277	Ivory
PS15AC1-WSL		PS15AC3-WSL	15A	120/277	White
PS20AC1-CSL		PS20AC3-CSL	20A	120/277	Clear
PS20AC1-ISL		PS20AC3-ISL	20A	120/277	Ivory
PS20AC1-WSL		PS20AC3-WSL	20A	120/277	White
PS20AC1-LASL		PS20AC3-LASL	20A	120/277	Light Almond
Pilot Lighted Switches (Lighted when ON) Back & Side Wire					
PS15AC1-CPL		PS15AC3-CPL			Clear
PS15AC1-RPL		PS15AC3-RPL			Red
PS20AC1-CPL					Clear
PS20AC1-CPL7		PS20AC3-CPL7			Clear
PS20AC1-RPL		PS20AC3-RPL			Red
PS20AC1-RPL7		PS20AC3-RPL7			Red
		PS20AC2-CPL			Clear
		PS20AC2-RPL			Red
PS30AC1-RPL		PS30AC3-RPL			Red
		PS30AC2-RPL			Red

Pilot lighted device is not intended for use as a LOTO Energy Isolating Device.

Vertical Markets

- Healthcare
- Education
- Institutional
- Industrial

Also available

- Light Almond Devices
- Hospital Grade Devices
- PlugTail™ Devices
- TVSS & Isolated Ground Devices
- Ground Continuity Monitoring (GCM)
- Straight Blade Plugs & Connectors
- Turnlok® Locking Devices
- Weatherproof Boxes & Covers
- IEC 309 Industrial Products
- Flexcor® Wire Mesh Grips
- Configurable Solutions

The paper used to print this document is an environmentally responsible paper with 10% post consumer waste, with FSC and SFI Chain of Custody certifications, Lacey Act compliant. 100% of the electricity used to manufacture Flo sheets is generated with Green-e certified renewable energy.

All brand and product names referenced in this document are registered trademarks or trademarks of their respective holders.



Legrand, North America
60 Woodlawn Street
West Hartford, CT 06110
1.877.BY.LEGRAND (295.3472)
www.legrand.us
905.738.9195
www.legrand.ca