

DC Series

power distribution

Replace messy, space consuming wall warts and power supplies with a universal DC power solution for DC powered AV, Networking and Security devices.

features:

- Multiple voltage outputs (5V, 12V, 18V, & 24V, depending on model) supported in a single box form factor
- Color-coded screw terminal connectors with industry standard voltages & polarity labeling for easy identification
- MOV surge and overload protection on the AC input and auto-resetting PTC overload protection on each individual DC output
- USB charging ports provided to conveniently power compatible products (not for data transfer)
- AC convenience outlets provided (PD-DC-45 only)
- LED indicator lights showing activity on each output and alerting maximum capacity on each voltage bank
- Hardware kit includes flexible mounting hardware, color-coded screw terminal connectors to connect devices, and a 6ft IEC power cord
- CE marked and has 230V/50Hz input (select models)
- UL Listed to US and Canadian requirements



specifications:

DC Power Distribution power management products shall be Middle Atlantic Products model # PDDC___ (refer to chart). DC Power Distribution products shall be ___"H x ___"W x ___"D (refer to drawing). DC Power shall output ___ watts, refer to chart. DC Power shall provide MOV surge and overload protection and resettable PTC overload protection on each individual DC output. PD-DC___ shall provide ___qty ___VDC outputs (refer to chart), ___qty NEMA 5-15R outlets (refer to chart) and ___qty USB outputs (refer to chart) and support mounting to the side of the enclosure with hooks or push-pins or rackmount flush or recessed, or mount to the side of the enclosure (refer to drawing). DC Power shall include a 6' removable IEC power cord with a NEMA 5-15P plug. DC Power shall include a thermostatically controlled fan. DC Power shall have ___V (120V / 230), ___ Hz (50, 60) input, refer to chart. DC Power shall be CE marked (select models, refer to chart.) DC Power shall be manufactured by an ISO 9001 & 14001 registered company. DC Power shall be warranted to be free from defects in materials and workmanship under normal use and conditions for a period of 3 years. DC Power strip shall be UL Listed to UL 60950-1 in the US and CAN/CSA C22.2 No. 60950-1 in Canada and FCC/IC Class B.

Customizable specification clips available at middleatlantic.com

EIA/TIA COMPLIANT



what **great systems** are built on.™

A brand of **legrand**



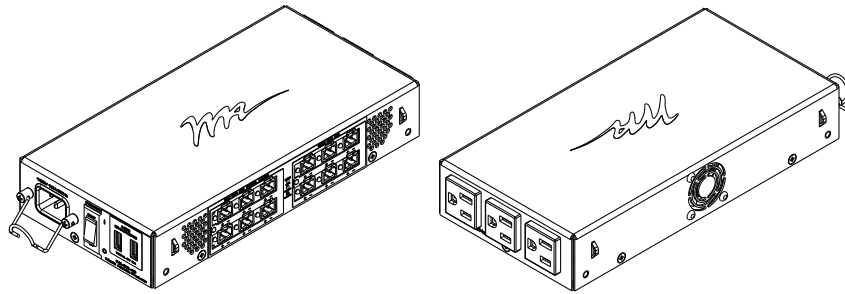
Middle Atlantic Products

middleatlantic.com | middleatlantic.ca

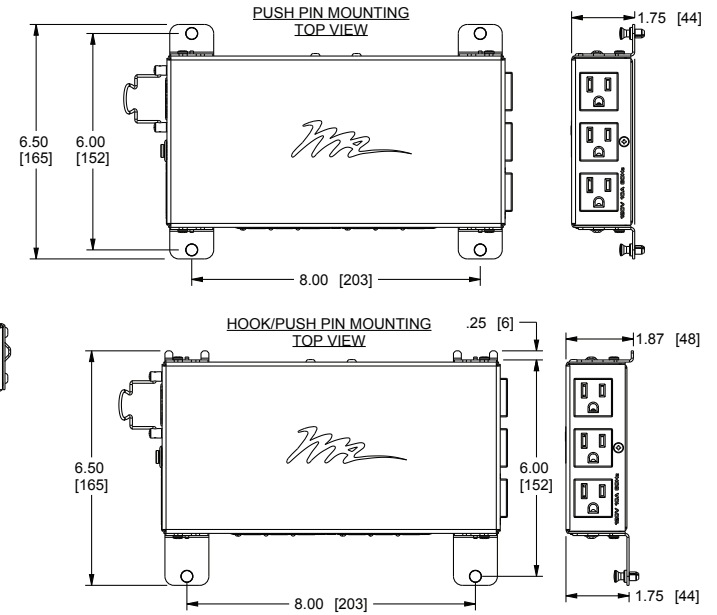
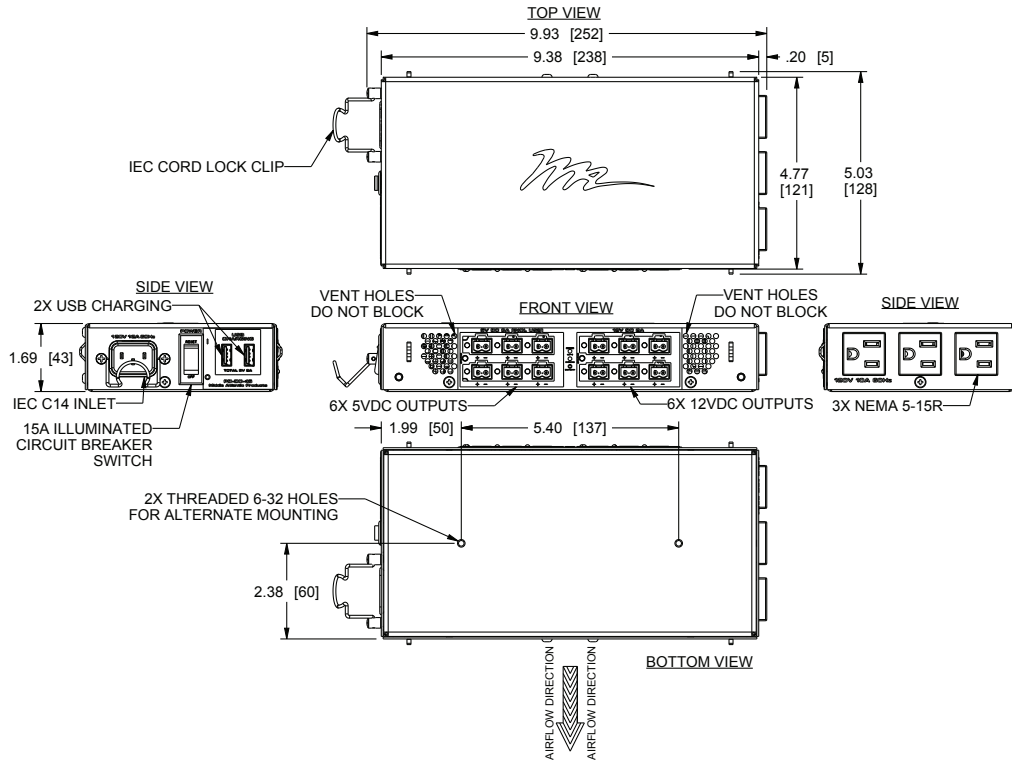
96-01228 / rev b / 5-29-20

DC Series

basic dimensions



- NOTE(S):
1. MODEL NUMBER PD-DC-45 SHOWN
 2. THERMOSTATICALLY CONTROLLED FAN FOR COOLING. DO NOT BLOCK FAN OR VENT HOLES.
 3. DIMENSIONS ARE IN THE FORMAT: IN [MM]



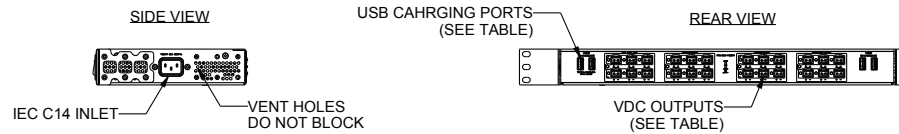
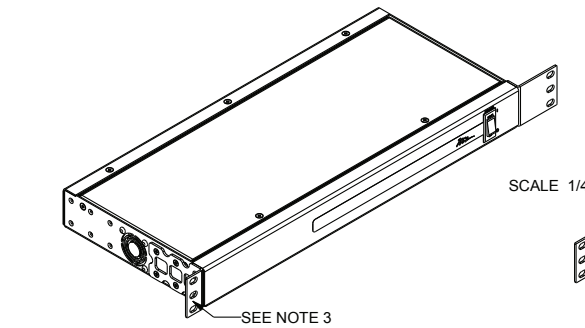
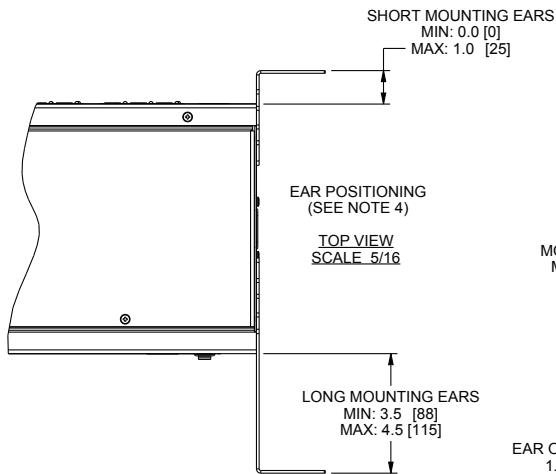
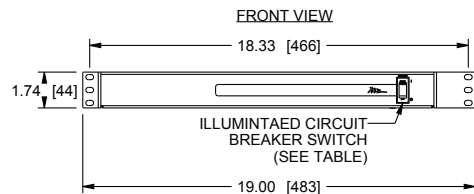
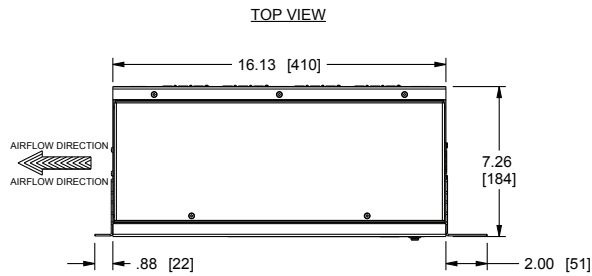
what great systems are built on.™

A brand of **legrand**

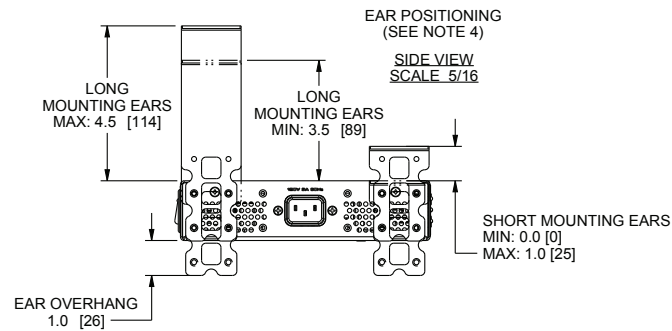
MA
Middle Atlantic Products
middleatlantic.com | middleatlantic.ca

DC Series

basic dimensions



PART NUMBER	OUTPUT POWER	ILLUMINATED CIRCUIT BREAKER SWITCH	# OF 5VDC OUTPUTS	# OF 12VDC OUTPUTS	# OF 18VDC OUTPUTS	# OF 24VDC OUTPUTS	# OF USB CHARGING PORTS
PD-DC-125R	125W	15 AMP	6	6	6	6	4
PD-DC-300-12V	300W	10 AMP	0	24	0	0	0
PD-DC-300-24V	300W	10 AMP	0	0	0	24	0
PD-DC-300-12-24V	300W	10 AMP	0	12	0	12	0
PD-DC-200-5V	200W	10 AMP	24	0	0	0	0



- NOTE(S):
1. MODEL NUMBER PD-DC-125R SHOWN
 2. THERMOSTATICALLY CONTROLLED FAN FOR COOLING. DO NOT BLOCK FAN OR VENT HOLES.
 3. COMES PREINSTALLED WITH SHORT MOUNTING EARS AS SHOWN.
 4. EAR POSITIONING MAY BE CHANGED FROM FRONT TO BACK, OFFSET, OR ROTATED 90 DEGREES. LONG EARS ARE ALSO INCLUDED. SEE EAR POSITIONING VIEWS FOR DIMENSIONAL DETAILS.
 5. DIMENSIONS ARE IN THE FORMAT: IN [MM]

DC Series

PD-DC-125R

SPECIFICATION	DETAILS
Line voltage	120VAC/60HZ (MIN. 100VAC, MAX. 132VAC)
Current rating	5A AC
Maximum power rating	600W (DC OUTPUTS FULLY LOADED)
AC input connector	IEC C-14
Power cord length	6 FEET
Surge protection	MOV, MODE L-N, CLAMPING VOLTAGE 595V
Total DC output current	11.2A
Total DC output power	125.3W
DC output over current protection	Automatically Resetting PTC Fuse On Each Output
Idle current	.250A AC

PD-DC-45

SPECIFICATION	DETAILS
Line voltage	120VAC/60HZ (MIN. 100VAC, MAX. 132VAC)
Current rating	12A MAX (8A MAX WITH DC ONLY FULLY LOADED)
Maximum power rating	IEC C-14
AC input connector	6 FEET
Power cord length	MOV, MODE L-N, CLAMPING VOLTAGE 595V
Surge protection	5.2A DC
Total DC output current	45W
Total DC output power	Automatically Resetting PTC Fuse On Each Output
DC output over current protection	10A/120VAC/60HZ
Idle current	.080A AC

PD-DC-300,200 SERIES

SPECIFICATION	DETAILS
Line Voltage	100~240VAC, 50/60HZ
Current Rating	5A AC MAX.
Max. Input Power Rating	340W @ 120VAC, 60HZ (DC OUTPUTS FULLY LOADED)
AC Input	IEC C-14
Power Cable Length	6FT. (1.83M)
Total DC Output Current	See "Max. Current Total" column on the DC Outputs table
DC Output Current Protection	Automatically Resetting PTC Fuse On Each Output
UL/CSA Standard	UL/CSA C22.2, NO. 60950-1
FCC/IC Class	CLASS B
Idle current	.080A AC

DC OUTPUTS

VOLTAGE	MAX CURRENT TOTAL (RAIL)	MAX CURRENT PER OUTPUT	RAIL CURRENT WARNING
5V DC	3A	2A	2.85A
12V DC	2A	1.5A	1.9A
18V DC	2.5A	1A	2.25A
24V DC	1.2A	0.75A	1.15A
USB 5V DC	2.5A	2.1A	N/A

CAUTION! DO NOT EXCEED MAXIMUM RATINGS

DC OUTPUTS

VOLTAGE	MAX CURRENT TOTAL (RAIL)	MAX CURRENT PER OUTPUT	RAIL CURRENT WARNING
5V DC	3A	2A	2.85A
12V DC	2A	1.5A	1.9A
USB 5V DC	2.5A	2.1A	N/A

CAUTION! DO NOT EXCEED MAXIMUM RATINGS

DC OUTPUTS

MODEL	MAX. CURRENT TOTAL	MAX. CURRENT PER BANK	MAX. CURRENT PER OUTPUT	TOTAL DC OUTPUT POWER
PD-DC-200-5V	40A	20A	5A	200W
PD-DC-300-12V	25A	12.5A	5A	300W
PD-DC-300-24V	12.5A	6.5A	4.1A	300W
PD-DC-300-12-24V	18.75A	12V: 12.5A 24V: 6.25A	12V: 5A 24V: 4.1A	300W

CAUTION! DO NOT EXCEED MAXIMUM RATINGS

IDLE CURRENT

MODEL	CURRENT
PD-DC-200-5V	.250A
PD-DC-300-12V	.120A
PD-DC-300-24V	.120A
PD-DC-300-12-24V	.120A

what great systems are built on.™

A brand of  Legrand


Middle Atlantic Products
 middleatlantic.com | middleatlantic.ca