

SR Series

pivoting rack

pivoting rack enclosures are designed to mount to the wall, while the base provides additional support and cable management facilities

features:

- Available in 22", 28" and 32" depths
- Tool-free Quick-Mount™ system allows for easy mounting of the center section to the backpan on the job site
- Optional minimum-clearance latch allows side-by-side or corner mounting to save room
- 16-gauge steel construction with 1/8" thick laser-cut corner braces
- Bottom cable entry platform provides attractive shroud to conceal conduit stubs
- Low-friction wear strip on bottom platform allows rack to swing open easily
- Adjustable 10-32 threaded front rackrail with marked rackspace increments, rear rackrail optional
- Easily removable laser knockouts accommodate conduit, UHF/VHF antennas, Wiremold® 4000 Series raceways, Middle Atlantic Products Universal Connector Panels, electrical pull-box and as many as four 4-1/2" fans
- Durable black textured powder coat finish
- UL Listed in the US and Canada



specifications:

EIA compliant 19" pivoting equipment rack shall be Middle Atlantic Products model # SR-___-___ (refer to chart) and shall have ___ useable rackspace and a useable depth of ___ (refer to chart). Overall dimensions of rack shall be ___H x 23.56" W x ___D (refer to chart). SR shall have a 500 lb. weight capacity. Tool-free Quick-Mount™ system shall simplify installation. Rack shall be constructed of the following materials: top and base shall be 14-gauge steel, center section and backpan shall be 16-gauge steel and all structural elements shall be finished in a durable black powder coat. Adjustable rackrail shall be 11-gauge steel with tapped 10-32 holes in universal EIA spacing, finished in a durable black e-coat with marked rackspace. Rack shall have 2", 3" and 4" electrical knockouts; Decora® cutouts in rear of center section and BNC knockouts for UHF/VHF antennas. Large laser knockout on backpan shall have a 12-1/2" x 12-1/2" opening for electrical pull-box. Fan knockouts on top and bottom shall allow installation of up to four 4-1/2" fans. Rack shall include 2", 3" and 4" knockouts for Wiremold® 4000 Series raceways and knockouts for Middle Atlantic Products Universal Connector Panels. Bottom shall have a cable entry platform with removable 4 rackspace front access cover and conceal conduit stubs. SR Series enclosures shall satisfy the 2007, 2010, and 2013 CBC; 2006, 2009 & 2012 IBC; ASCE 7-05 (2005 Edition) & ASCE 7-10 (2010 Edition) and the 2006 & 2009 editions of NFPA 5000 for use in areas of high seismicity, Seismic Use Group III, Zone 4 or Seismic Design Category (SDC) "D" with lateral force requirements for protecting 277 lbs. of essential equipment in locations with the highest level of seismicity and top floor or rooftop installations with an Importance factor (Ip) of 1.5 when used with DWRSR-ZL Latch. Rack shall be UL Listed in the US and Canada to the UL-2416 (NWIN) Category when used with optional bonding kit, model # PET-K-___. SR Series shall be GREENGUARD Gold Certified. SR Series shall be RoHS EU Directive 2011/65/EU compliant. SR shall be manufactured by an ISO 9001 and ISO 14001 registered company. Rack shall be warrantied to be free from defects in material or workmanship under normal use and conditions for the lifetime of the rack.

Customizable specification clips available at middleatlantic.com



PRODUCT CERTIFIED FOR
LOW CHEMICAL EMISSIONS
UL.COM/GG
UL 2818



options:

- Front doors shall be reinforced 16-gauge steel, model # FD-XX (solid), PFD-XX (plexi), VFD-XX (vented, 22% open area), LVFD-40 (vented, 68% open area), XX=# of rackspace of SR rack
- Keyless latch to replace key lock on front door shall be model # LATCH
- Kit for mounting UPS in base of SR shall be SR-UPS-BKT
- Rear rail kit shall be model # DWR-RR24 (24 space), DWR-RR40 (40 space), model # DWR-RR46 (46 space), 11-gauge, 10-32 threaded, sold in pairs, hardware included
- Sub-plate mounting kit shall be model # SR-SUB. SR-SUB shall mount up to (4) 89-D type brackets, (4) 1900 boxes or (1) Raco 3 gang box. SR Series pivoting racks can mount up to 4 SR-SUB sub-plate mounting kits (2 for 24 space models)
- Minimum-clearance latch shall allow side-by-side or corner mounting, shall be model # DWRSR-ZL
- Gland grommet for 4" electrical knockouts at top of SR shall be model # GK-4G. 4 pieces
- Optional bonding kit for UL-2416 (NWIN) compliance shall be Middle Atlantic Products PET-K-SR (for backpan to center section), PET-K-FD (for front door to center section), PET-K-DWRFK (for fan kit to center section)

what great systems are built on.™

A brand of **legrand**

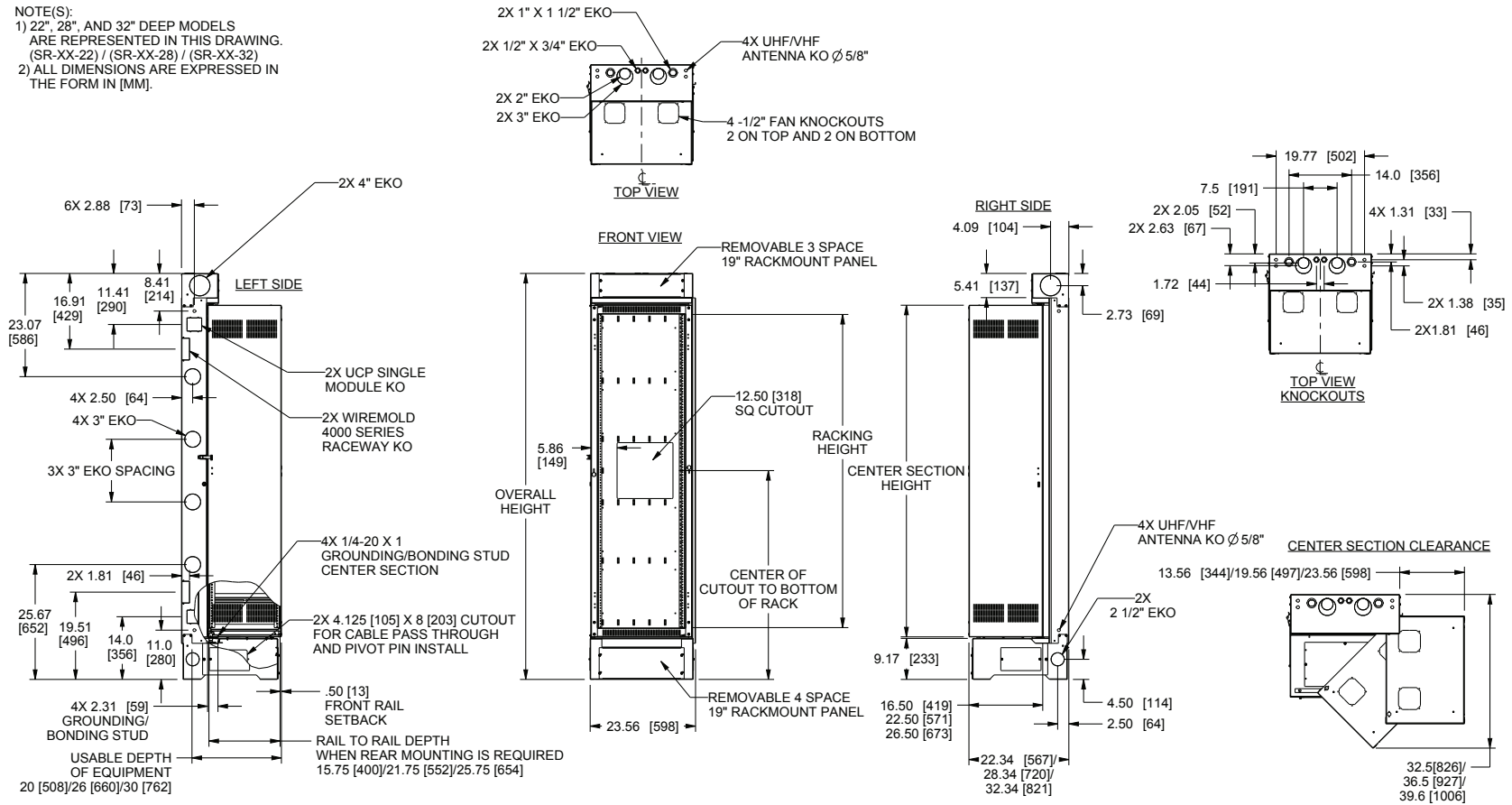
Middle Atlantic Products
middleatlantic.com | middleatlantic.com

96-045B / rev p / 7-25-17

SR Series Pivoting Rack

basic dimensions

NOTE(S):
 1) 22", 28", AND 32" DEEP MODELS ARE REPRESENTED IN THIS DRAWING. (SR-XX-22) / (SR-XX-28) / (SR-XX-32)
 2) ALL DIMENSIONS ARE EXPRESSED IN THE FORM IN [MM].



MODEL NUMBER	OVERALL HEIGHT	CENTER SECTION HEIGHT	RACKING HEIGHT	RACK SPACES	CENTER OF CUTOUT TO BOTTOM OF RACK	3" EKO SPACING
SR-24-28	62.75 [1594]	46.13 [1172]	42.00 [1067]	24 SPACES	32.68 [830]	N/A
SR-24-32	62.75 [1594]	46.13 [1172]	42.00 [1067]	24 SPACES	32.68 [830]	N/A
SR-40-22	90.75 [2305]	74.13 [1883]	70 [1778]	40 SPACES	46.68 [1186]	14 [356]
SR-40-28	90.75 [2305]	74.13 [1883]	70 [1778]	40 SPACES	46.68 [1186]	14 [356]
SR-40-32	90.75 [2305]	74.13 [1883]	70 [1778]	40 SPACES	46.68 [1186]	14 [356]
SR-46-28	101.25 [2572]	84.63 [2150]	80.5 [2045]	46 SPACES	51.93 [1319]	17.5 [445]

what great systems are built on.™

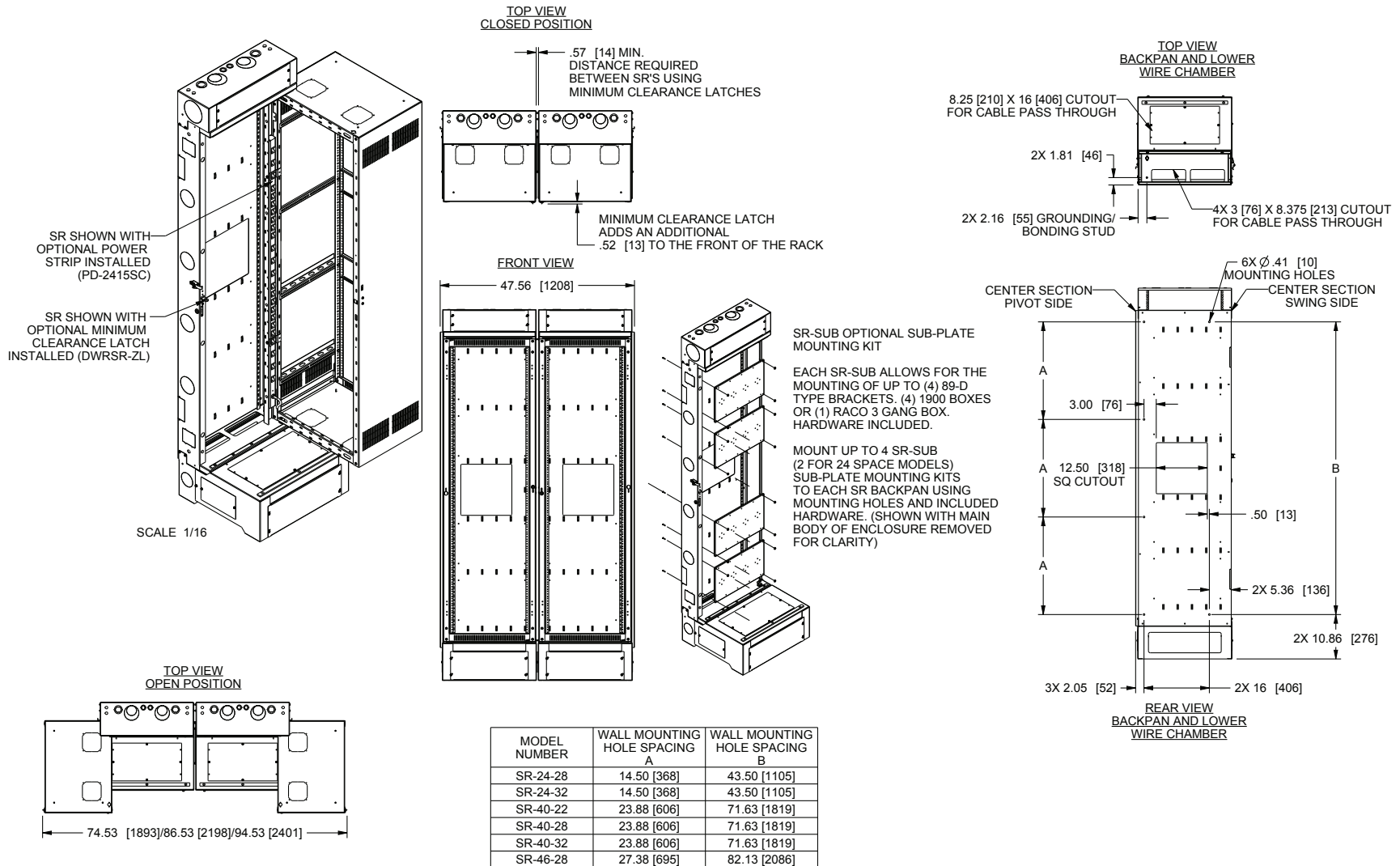
A brand of Legrand

Middle Atlantic Products

middleatlantic.com | middleatlantic.ca

SR Series Pivoting Rack

basic dimensions



what great systems are built on.™

A brand of **legrand**

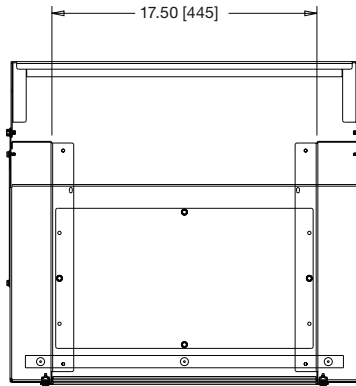
MA
Middle Atlantic Products
middleatlantic.com | middleatlantic.ca

SR Series Pivoting Rack

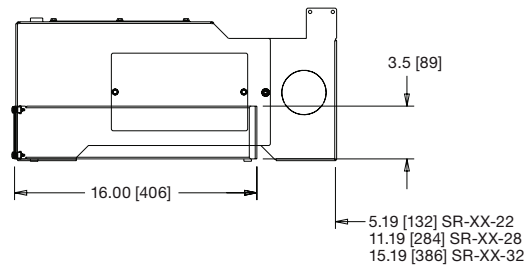
basic dimensions

all dimensions in inches unless otherwise noted [all dimensions in brackets are in millimeters]

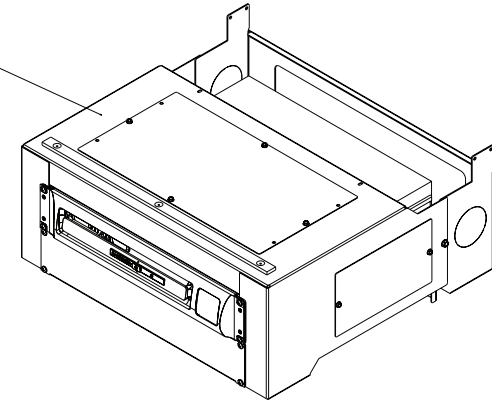
top view



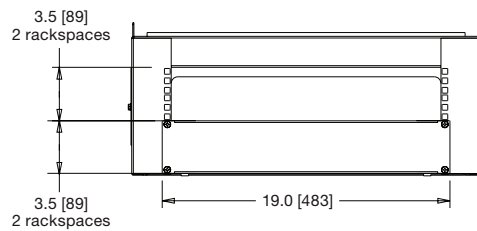
side view



base of SR series rack

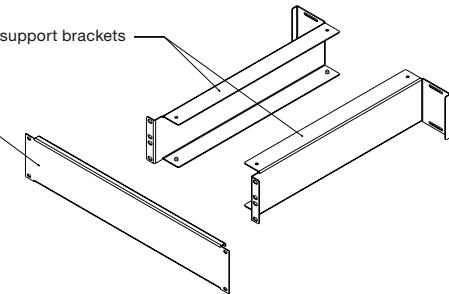


front view



support brackets

2 space blank panel



what **great systems** are built on.™

A brand of **legrand**

MA
Middle Atlantic Products
middleatlantic.com | middleatlantic.ca