

Wallplate 2.15" Opening 2-Gang

Features

- High-impact, self-extinguishing polycarbonate material
- More rigid; sharp lines and less dimpling
- Smooth satin finish; blends into wall with an optimum finish

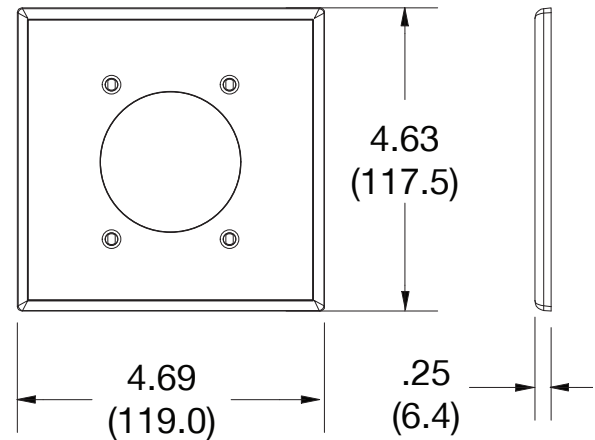


Ordering Information

| Description | Gang | Color | UPC Number | Catalog Number |
|---|------|-------|--------------|----------------|
| Wallplate with 2.15" opening smooth satin finish, for use with power outlet | 2 | Black | 883778312670 | P703BK |

Listings

cULus Listed



Specifications

| | |
|-----------------|-----------------------------|
| Material | Polycarbonate thermoplastic |
| Thickness | .25 (6.4) |
| Orientation | Orientation |
| Mounting | Screw |
| Mounting Screws | Painted steel |
| Dimensions | 4.63 in x 4.69 in x 0.25 in |
| Flammability | UL 94 V2 |

Dimensions in Inches (mm)

Bryant Electric • An affiliate of Hubbell Incorporated (Delaware) • 40 Waterview Drive • Shelton, CT 06484
Phone (800) 323-2792 • Specifications subject to change without notice