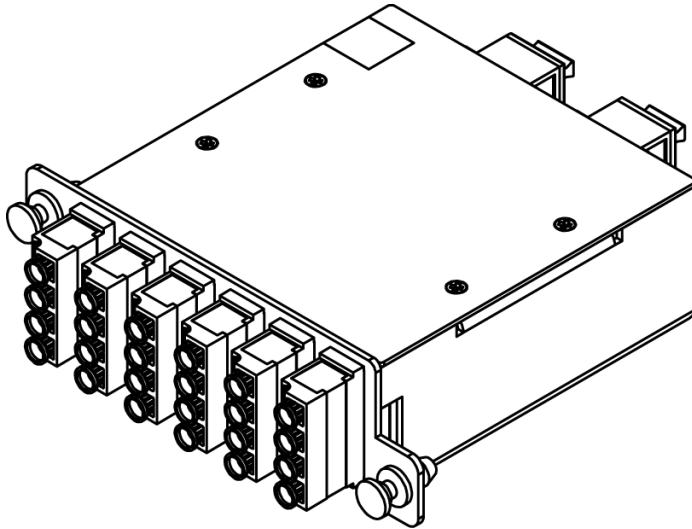


HD Cassette LC/MPO, 24F, OM2, 50/125

Package Includes

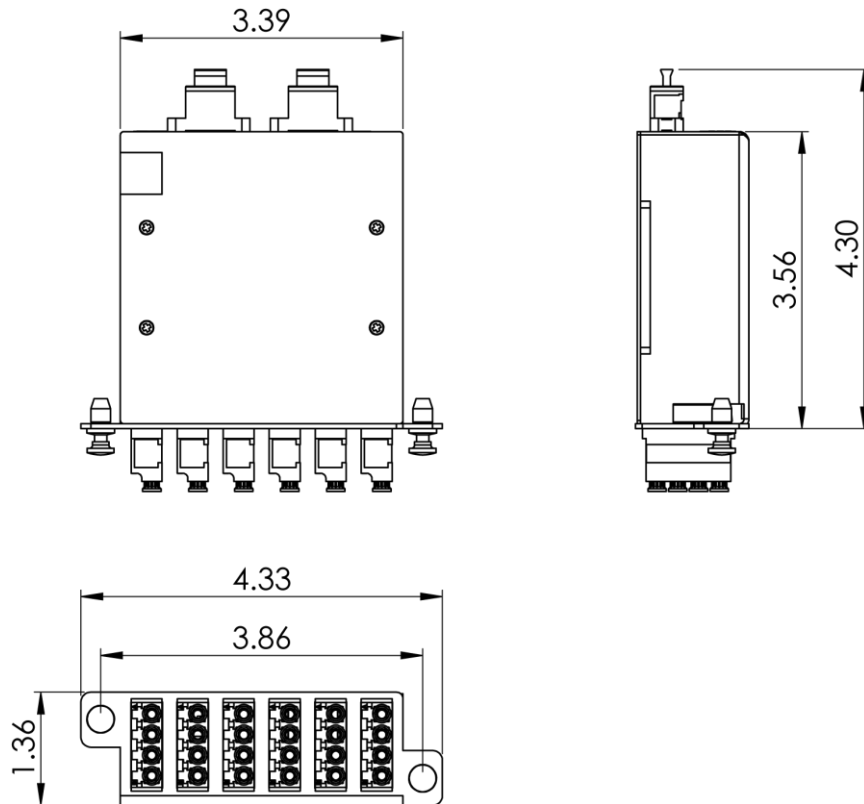
A. LC-Quad MPO Cassette, **1 Piece**.

B. Dust Caps, **26 Pieces**.



Features and Benefits

- High Quality 16GA CRS material allows for compact and durable cassettes.
- 24-Fiber, OM2, Multimode, 50/125
- 24 LC port to 2 MPO port
- Cassette offers a plug and play solution which saves assembly and termination time.
- MPO connector reduces insertion loss which enhances channel link performance.
- MPO ports are equipped with Male MPO connectors to work with standard MPO female cable assembly.
- Suitable for any applications with a need for higher bandwidth with longer distances.
- Wiring is 1:1
- Available in black
- Design to fit ICFORE41RM and ICFORE82RM HD fiber optic rack mount enclosures



Specifications

- **Cassette Housing:**
 - Material: 16GA CRS
 - Color: Powder Coat Black
- **LC-Quad Adapter:**
 - Material: ABS
 - Color: Beige
 - Sleeve: Metal
- **MPO Male Adapter:**
 - Material Polybutylene Terephthalate (PBT)
 - Color: Black
 - Mating Cycles: 1000 Mating cycles
 - Dust Cap: TPP
 - Color: Black
- **Cable Type:**
 - OM2, MM, 50/125µm

PIN 11	12	A	ROSE	PIN 12	24	B	AQUA
PIN 12	11	B	AQUA	PIN 11	23	A	ROSE
PIN 9	10	A	YELLOW	PIN 10	22	B	VIOLET
PIN 10	9	B	VIOLET	PIN 9	21	A	YELLOW
PIN 7	8	A	RED	PIN 8	20	B	BLACK
PIN 8	7	B	BLACK	PIN 7	19	A	RED
PIN 5	6	A	SLATE	PIN 6	18	B	WHITE
PIN 6	5	B	WHITE	PIN 5	17	A	SLATE
PIN 3	4	A	GREEN	PIN 4	16	B	BROWN
PIN 4	3	B	BROWN	PIN 3	15	A	GREEN
PIN 1	2	A	BLUE	PIN 2	14	B	ORANGE
PIN 2	1	B	ORANGE	PIN 1	13	A	BLUE
MPO 1-12	PORT NO.	FIBER POSITION	JACKET COLOR	MPO 13-24	PORT NO.	FIBER POSITION	JACKET COLOR

WIRE CONNECTION TABLE