

netSELECT
Network Modules
Blank Module Plate

HUBBELL

Features

- Allows Mounting Of Active Components Or Other Devices in netSELECT Enclosures
- Secure Devices with Self-Tapped Holes or Two Self-Adhesive VELCRO® Strips Included
- Pre-mounted Push Pins Snap The Module Quickly Into Place



Ordering Information

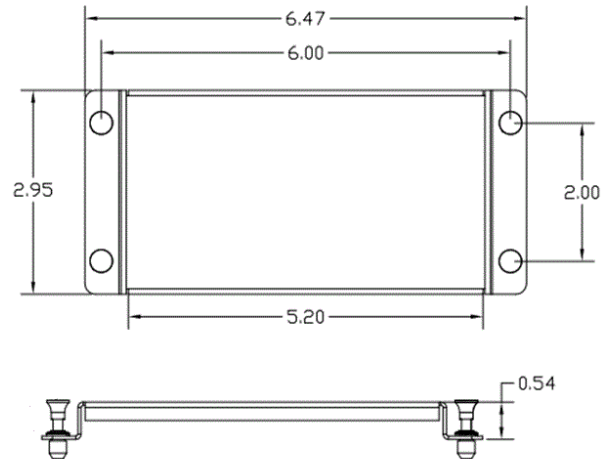
Description	Color	CatalogNumber	UPC
Blank Module Plate	Black	NSOBM	883778500244

Listings

UL and cUL Listed
RoHS Compliant

Specifications

Housing Material	High Impact Thermoplastic UL 94 V-0
------------------	-------------------------------------



Online Resources

Customer Use Drawing
eCatalog