

# Cable Management Horizontal Cable Manager S-Series Rail Mounted

# HUBBELL

## Features

- Cable fingers align with patch panel adaptors to prevent patch cord kinks
- Steel construction provides ample strength for heavy cable loading
- Door is removeable to allow for easy addition of patch cords



## Ordering Information

Rack Units	Depth	Catalog Number	UPC
2 RU	3"	HS23C	662620249834

## Listings

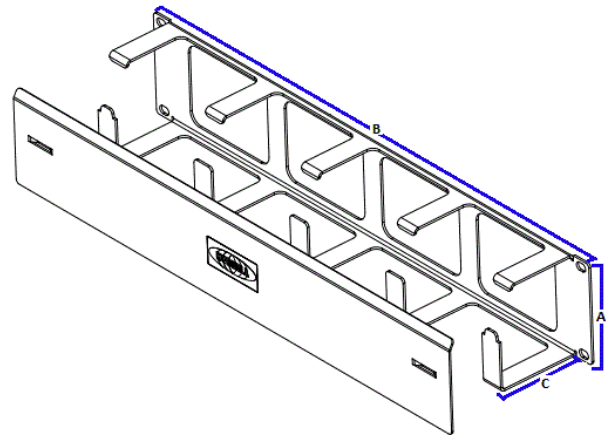
EIA/ECA-310-E Universal Mounting Pattern

## Specifications

Material	Steel
Gauge	14
Finish	Black Powder Coated

## Characteristics

Cover	Included, Lift off
Pass through holes	Standard
Corresponding Vertical Cbl Mgr	VS Series



## Accessories

Replacement Cover, 2U	<b>HS2C</b>
Black Velcro Roll	<b>HVFBK575</b>
9" Velcro Strips, Yellow	<b>MCCMV9YL10</b>

## Dimensions- inches (mm)

A	2 RU, 3.5" (89)
B	19" (483)
C	3" (76)

## Online Resources

Customer Drawings  
eCatalog