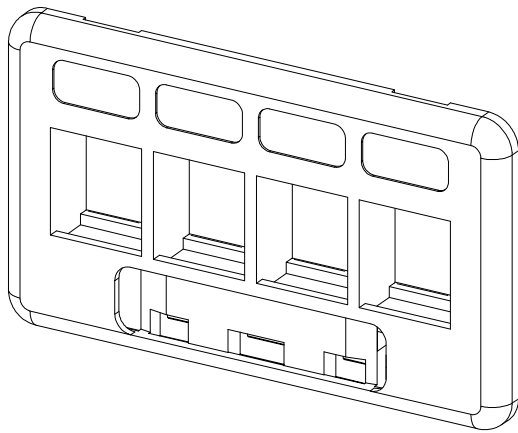


4-Port TIA Furniture Faceplate

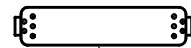
PRODUCT SPECIFICATION

Package includes:

- A. 4-Port TIA Furniture Faceplate, 1 pc
- B. Clear Label Cover, 1 pc
- C. Paper Label, 1 pc
- D. EPDM Foam Rubber, 1 pc



4-Port TIA Furniture Faceplate



Clear Label Cover

Features and Benefits:

- Provides connectivity at the workstation creating a modern appearance with an easy to use identification scheme in modular furniture environments
- Designed to support the distribution of voice, data, and other communication needs to the work area
- Ideal for use in high density applications with more connectivity in less space
- TIA opening with snap in design seamlessly integrates into most popular modular furniture systems; including Herman Miller, Knoll, Hayworth, Steelcase, and many others
- Rugged and durable construction
- Accommodates a wide variety of easy to snap-in modules, providing configuration flexibility
- Accepts all IC107 HD modules
- Available in black, gray, ivory, and white
- ANSI/TIA-568-C and UL 1863 compliant

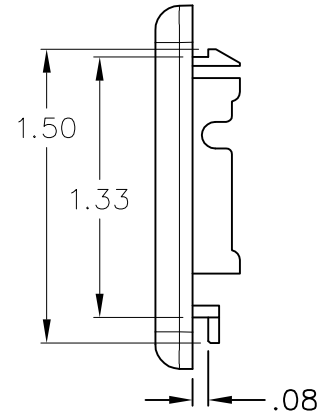
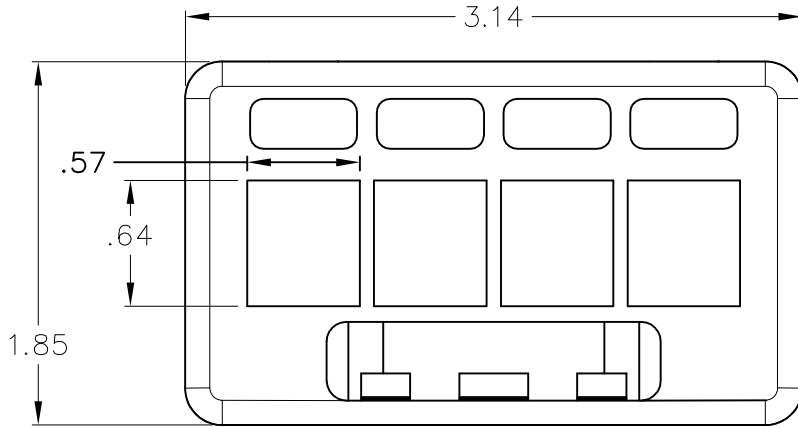
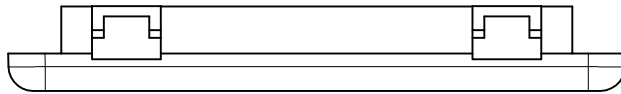
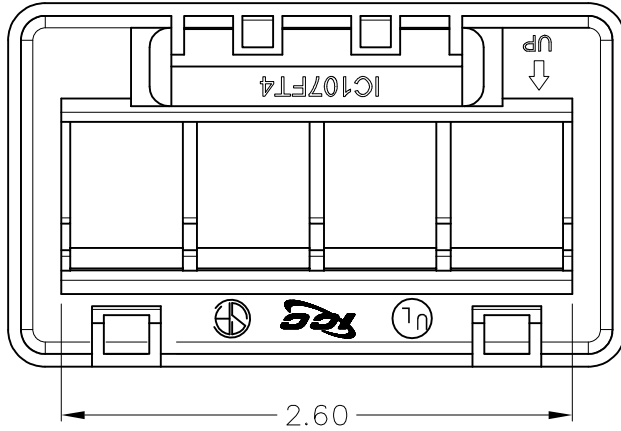
FACEPLATE, FURNITURE, TIA, 4-PORT

ITEM NO.	IC107FT4XX
DWG NO.	PS107FT400

REV.	A
PAGE NO.	1




CUSTOMER CARE / TECHNICAL SUPPORT * CSR@ICC.COM / 888-ASK-4-ICC (275-4422) * 2100 E. Valencia Dr, Suite D, Fullerton, CA 92831 * www.icc.com



NOTE: UNLESS OTHERWISE SPECIFIED

1. MATERIAL: ABS, UL 94V-0
2. SURFACE FINISHING: TEXTURE
3. COLOR: XX: BK-BLACK, GY-GRAY, IV-IVORY, & WH-WHITE

UL US FILE NO. 125268

FACEPLATE, FURNITURE, TIA, 4-PORT		 <i>PremiumProducts</i> <i>ProvenPerformance</i> <i>CompetitivePrices</i>	
ITEM NO.	IC107FT4XX		REV. A
DWG NO.	PS107FT400	PAGE NO.	2

CUSTOMER CARE / TECHNICAL SUPPORT * CSR@ICC.COM / 888-ASK-4-ICC (275-4422) * 2100 E. Valencia Dr, Suite D, Fullerton, CA 92831 * www.icc.com