

NOTES:

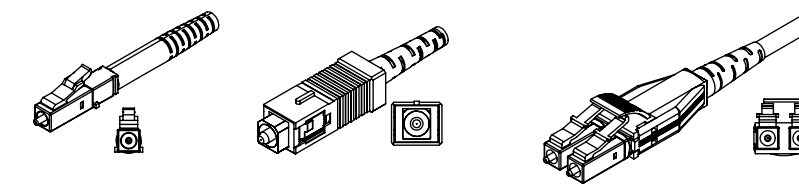
- ALL CABLE ASSEMBLIES DESCRIBED BY THIS DOCUMENT SHALL BE IN ACCORDANCE WITH PERFORMANCE SPECIFICATION 71800079C, AND SHALL MEET OR EXCEED THE TIER LEVELS SPECIFICATIONS SHOWN IN TABLE 1.
- THE NOTATION "LLL" WITHIN THE PART NUMBER SHALL IDENTIFY THE OVERALL LENGTH FROM FERRULE TIP TO FERRULE TIP AS SHOWN. THE UNITS OF MEASURE ARE INDICATED BY THE CHARACTER POSITION IMMEDIATELY FOLLOWING THE "LLL" PORTION OF THE PART NUMBER (I.E. M=METERS, F=FEET). LENGTH TOLERANCE IS:
  - ≤1FT = -0/+1IN
  - >1FT ≤5FT = -0/+2IN
  - >5FT ≤10FT = -0/+4IN
  - >10FT ≤25FT = -0/+6IN
  - >25FT = -0/+5%
- CONNECTOR(S) AT END A & END B SHALL BE IDENTIFIED BY CHARACTER POSITIONS "BBCC" IN THE PART NUMBER; WHERE "BB" IS CONNECTOR(S) AT END A, AND "CC" IS CONNECTOR(S) AT END B. (SEE TABLE 2 FOR THE CONNECTOR DEFINITION). WHERE "BB" & "CC" ARE UNLIKE, "BBCC" SHALL BE IN NUMERICAL ORDER. SINGLEMODE CONNECTORS SHALL BE UPC AND MULTIMODE CONNECTORS SHALL BE PC. QUANTUM TIER SINGLEMODE CORDS ARE ONLY AVAILABLE WITH CONNECTOR STYLE LC (DUPLEX) REF OR R-LC (DUPLEX) REF AT BOTH ENDS AND FIBER TYPE "O". QUANTUM TIER MULTIMODE CORDS ARE ONLY AVAILABLE WITH CONNECTOR STYLE LC (DUPLEX) OR R-LC (DUPLEX) AT BOTH ENDS. FIBER TYPE "O" IS ONLY AVAILABLE FOR QUANTUM TIER LEVEL. DUST CAPS SHALL BE PROVIDED INSTALLED.
- FOR ASSEMBLIES MADE TO FIGURES 1 TO 3; END A AND END B REMOVABLE DUPLEXING CLIPS ARE SUPPLIED ASSEMBLED.
- EACH CABLE SHALL BE IDENTIFIED WITH DATE OF MANUFACTURE, FIBER CORE DIAMETER/CLADDING DIAMETER, LOT NUMBER, AND SEQUENTIAL LENGTH MARKINGS. FOR RISER CABLE OFNR SHALL BE MARKED ON THE CABLE; FOR PLENUM OFNP SHALL BE MARKED ON THE CABLE; AND FOR LSZH CABLE MATERIAL RATED LSZH CCA OR BETTER, "LSHF-FR" AND THE EURO CLASS SHALL BE MARKED ON THE CABLE.
- SINGLEMODE CORDS SHALL BE YELLOW AND MULTIMODE CORDS SHALL BE AQUA.
- EACH CABLE ASSEMBLY SHALL BE IDENTIFIED WITH A PART NUMBER, A 4 DIGIT MANUFACTURE DATE CODE (WWYY=WEEK YEAR), LOCATION CODE (XX), AND SERIAL NUMBER.

TIER "A"	TIER	OPTION "T"	OPTION
1	CORE	0	NO TEST RESULTS
3	ULTRA	1	TEST RESULTS
4	QUANTUM		

CONN DEFINITION "BB" OR "CC"	CONN OUTLINE	STYLE	INTERMATEABILITY
01		LC(DUPLEX)	TIA/EIA-604-10
02		SC(DUPLEX)	TIA/EIA-604-3
35		LC(DUPLEX) REF	TIA/EIA-604-10
80		R-LC (DUPLEX)	TIA/EIA-604-10
2M		R-LC (DUPLEX) REF	TIA/EIA-604-10

POLARITY "P"	CABLE CONSTRUCTION
B	DUPLEX JUMPER A-B

CABLE DIAMETER "D"	CABLE DIAMETER
2	2.0mm
3	3.0mm



FIBER TYPE "E"	FIBER TYPE
E	OM4 50µm BI, 4700/500
J	OS2 BI (ITU-T G.657.A1)
O	OS2 BI ULTRA (ITU-T G.657.A1)

CABLE COLOR "F"	CABLE COLOR
A	AQUA
Y	YELLOW

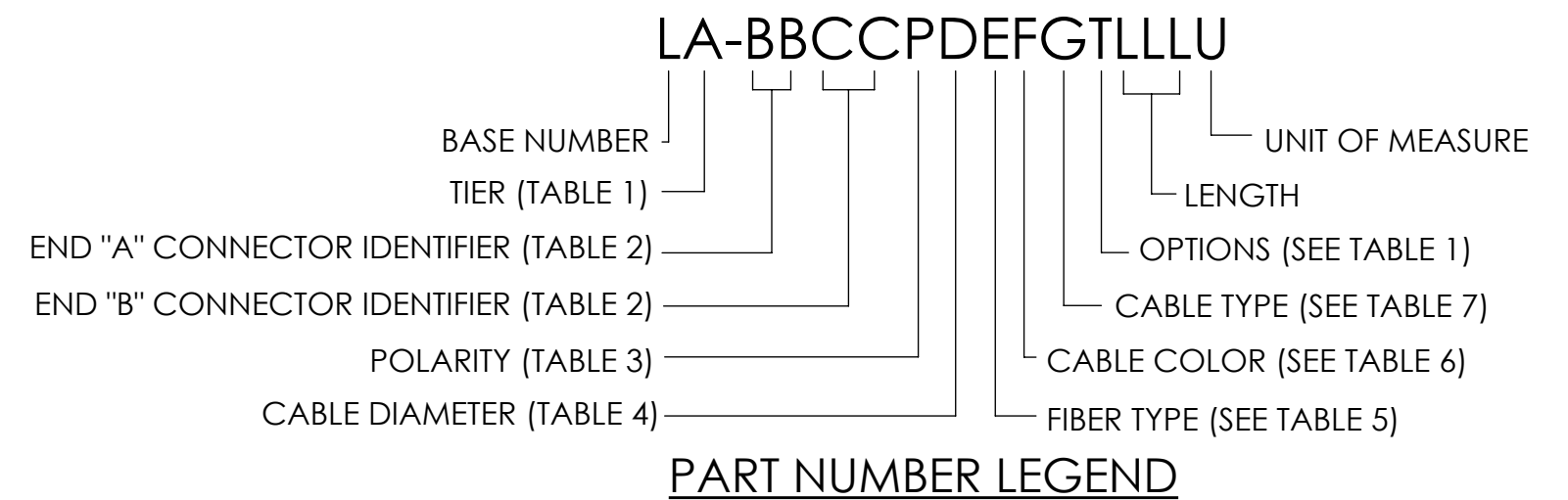
CABLE TYPE "G"	CABLE MATERIAL	FIGURES
2	RISER (OFNR) DUPLEX (ZIP CORD)	1-3
B	PLENUM (OFNP) DUPLEX DFX 2F	4
D	PLENUM (OFNP) DUPLEX (ZIP CORD)	1-3
E	LSZH DUPLEX (ZIP CORD)	1-3
L	LSZH DUPLEX DFX 2F	4

Connector	OS2 Single-mode	OM4 Multimode, 50µm
All Connectors	Yellow	Aqua

Connector	OS2 Single-mode		OM4 Multimode, 50µm	
	Primary Connector 1&3	Secondary Connector 2&4	Primary Connector 1&3	Secondary Connector 2&4
Duplexed Assemblies, Duplex Clip on both ends				
LC	Blue	White	Aqua	White
SC	Blue	White	Aqua	White
UNIBOOT LC				
LC	WHITE			

Connector	OS2 Single-mode	OM4 Multimode, 50µm
LC	Blue	Aqua
SC	Blue (Shroud)	Aqua (Shroud)

Connector	OS2 Single-mode	OM4 Multimode, 50µm
LC	Blue	Aqua
SC	Blue	Aqua



	OS2 Single-mode	OS2 Single-mode Ultra	OM4 Multimode, 50µm
Fiber Class	-	Corning	-
Primary Supplier	-	SMF-28 Ultra	-
Fiber Brand	B-652.D B-657.A1	B-652.D B-657.A1	A1-OM4b
IEC 60793-2-50 / 60793-2-10 Type	492CAAC (Formerly 492CAAB)	492CAAC (Formerly 492CAAB)	492AAAF (Formerly 492AAAD)
TIA Compliance	OS2	OS2	OM4
ISO/IEC 11801-1 Cabled Fiber Performance Category	G.652.D G.657.A1	G.652.D G.657.A1	G.651.1
ITU-T Compliance	-	-	≥4700 MHz-km
Effective Modal Bandwidth-Length Product at 850nm	-	-	-

<p>*** NOTICE *** THIS DOCUMENT CONTAINS CONFIDENTIAL AND/OR PROPRIETARY INFORMATION INTENDED FOR USE ONLY BY THE INDIVIDUAL(S) PROVIDED. NEITHER THIS DOCUMENT, NOR ANY INFORMATION CONTAINED HEREIN, MAY BE COPIED, DISTRIBUTED, DISCLOSED TO ANY THIRD PARTY OR USED IN ANY MANNER OTHER THAN FOR WHICH IT HAS BEEN PROVIDED, WITHOUT THE PRIOR WRITTEN CONSENT OF LEGRAND INC. MANUFACTURING RELEASE PRODUCT SPECIFICATIONS AND STANDARDS ARE SUBJECT TO CHANGE WITHOUT NOTICE.</p>		
NAME	DATE	SIZE
RJG	9/23/2020	CAD FILE
DMS	9/25/2020	LABBCCPDEFGTLLUC
RH	9/28/2020	DWG NO
		LA-BBCCPDEFGTLLLU
		SCALE
		1:1
		SHEET
		1 OF 2



TITLE  
FIBER CORD ASSY, L-SERIES

DWN	CHK	APPR	NAME	DATE	SIZE	CAD FILE	DWG NO	REV
			RJG	9/23/2020	C	LABBCCPDEFGTLLUC	LA-BBCCPDEFGTLLLU	02
			DMS	9/25/2020				
			RH	9/28/2020				

