

UL LISTED

GANGABLE FLOOR BOX

ECONOMICAL • CONVENIENT RECEPTACLE INSTALLATION

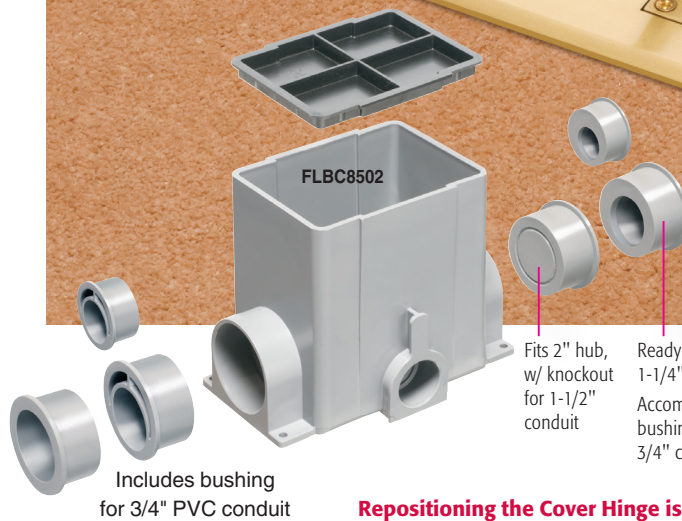
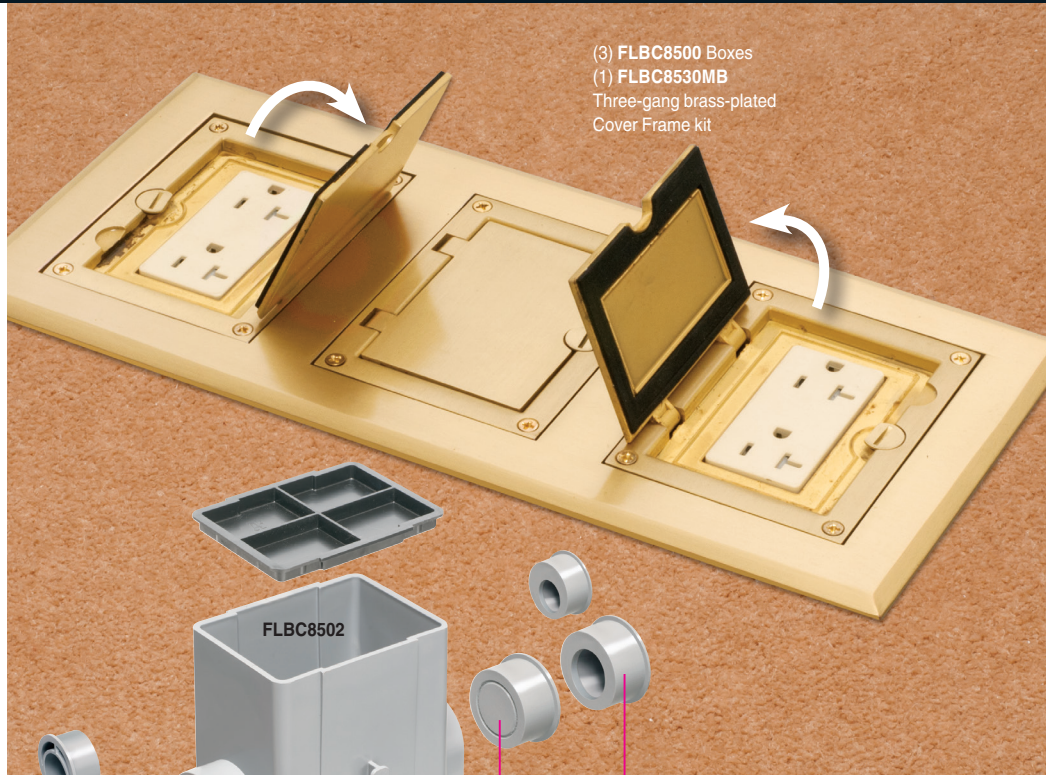
Arlington manufactures a complete line of floor box kits, boxes, covers and accessories for new concrete – and other applications.

The UL Listed **GANGABLE FLOOR BOXES** and COVER/FRAME KITS featured in this brochure are designed for commercial installations. Available with 1-1/4" or 2" conduit hubs, our gangable boxes give installers an economical, convenient way to add receptacles in **new concrete** pours.

You can use the interlocking single gang box as shipped, or join them together to build the two- or three-gang box you need. You decide. Then buy the economical plated zinc – or plastic cover/frame kit to fit. Kits include a 20A decorator-style receptacle and low voltage insert.

The gasketed frame mounts to the box. The cover then mounts to the frame where it protects the devices against water intrusion when not in use.

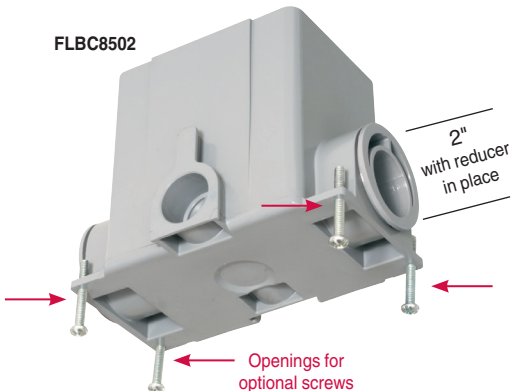
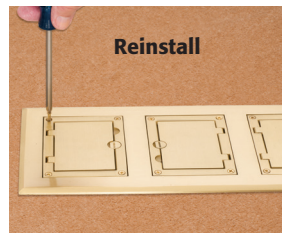
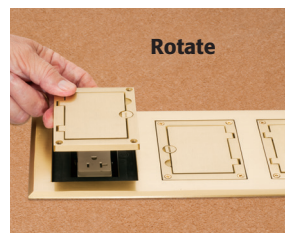
- Openings for OPTIONAL 1/4-20 screws that position, level and raise box so concrete flows beneath.



COVERS OPEN in Both Directions

For added convenience you can install the covers with the hinge on either side.

Repositioning the Cover Hinge is EASY!

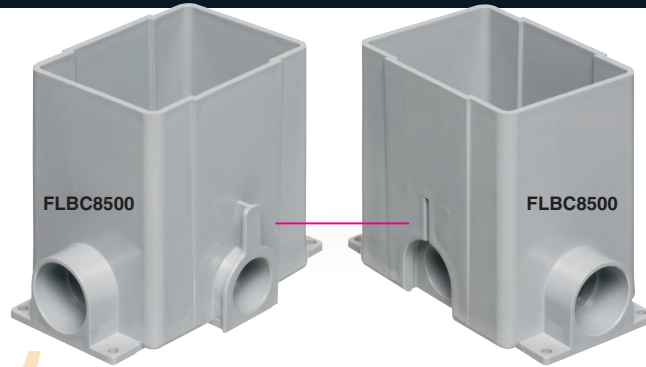


800.233.4717 • www.aifittings.com • EMAIL sales@aifittings.com

FOR NEW CONCRETE

INTERLOCKING • EASY ASSEMBLY OF MULTIPLE-GANG BOXES

Connections on
opposing sides
lock boxes
securely together



HERE'S HOW IT WORKS

Lock two single-gang boxes
together for a two-gang box.

Need a three-gang
box instead?
Add another box!

After building desired box,
attach cover frame (screws provided)

Install devices
(screws provided)

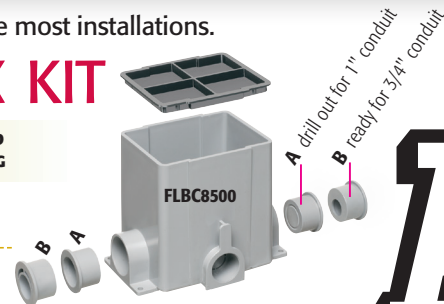
To install cover, insert gaskets
in both gangs, add covers

Both boxes include the hubs and plugs you'll need to complete most installations.

SINGLE GANG FLOOR BOX KIT

CATALOG NUMBER	UPC/DCI/NAED MFG. #018997	DESCRIPTION/ CONDUIT HUB SIZE	COLOR/ MATERIAL	UNIT PKG	STD PKG
FLBC8500	22950	Single gang Gangable Box kit with (2) built-in 1-1/4" hubs	Non-metallic, Gray	1	5
FLBC8502	22949	Single gang Gangable Box kit with (2) built-in 2" hubs	Non-metallic, Gray	1	5

FLBC8500 includes concrete box/mud cover, (2) 3/4" conduit bushings and (2) blank plugs* that fit the 1-1/4" hubs (*w/ knockout for 1" conduit) -- **FLBC8502** includes concrete box/mud cover and (2) blank plugs* for the 2" hubs (*w/ knockout for 1-1/2" conduit). Also included are (2) conduit bushings ready for use with 1-1/4" conduit. These bushings accommodate the (2) supplied 3/4" conduit bushings.



Arlington[®]