

# Power Supply Units for IR Illuminators

www.boschsecurity.com



**BOSCH**  
Invented for life



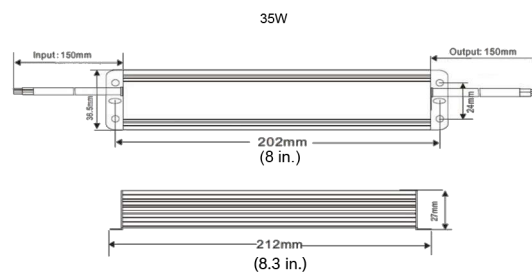
- ▶ Constant Voltage design for external LED lighting applications
- ▶ Built-in active Power Factor Correction (PFC), typically > 0.93
- ▶ Turn on time < 1 second with soft start
- ▶ Protection: Over-Load, Over Current, Open Circuit, Short Circuit, Over Temperature

Constant Voltage 24 VDC power supplies designed for LED lighting applications. Models of 35W, 60W or 100W.

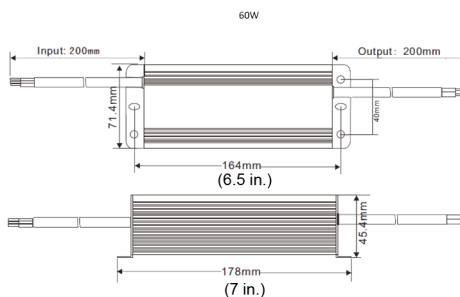
## Certifications and approvals

Standards	Type
Emission	EN 55015 EN 61000-3-2 EN 61000-3-3
Immunity	EN 61547 EN 55024 EN 61000-4-2,3,4,5,6,8,11 FCC Part 15, Class B
Other	UL 8750 EN 61347-1 EN 61347-2-13
Marks	CE, RoHS

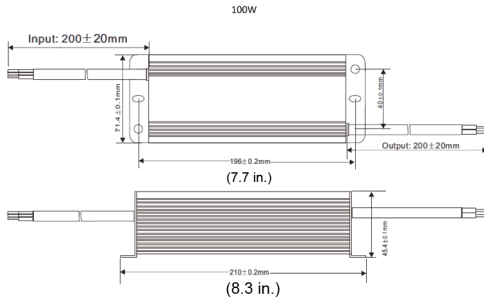
## Installation/configuration notes



35W PSU



60W PSU



100W PSU

### Technical specifications

Input Voltage	100-240 VAC, 50/60 Hz
Output voltage	24 VDC, $\pm 2\%$
Maximum load	35W: 1.46 A 60W: 2.5 A 100W: 4.16A
Connection type	Flying leads
Operating Temperature	-25 °C to +50 °C (-13 °F to +122 °F)
Dimensions (LxWxD)	35W: 212 mm x 37 mm x 27 mm (8.3 in. x 1.5 in. x 1.1 in.) 60W: 178 mm x 72 mm x 45 mm (7 in. x 2.8 in. x 1.8 in.) 100W: 210 mm x 72 mm x 45 mm (8.3 in. x 2.8 in. x 1.8 in.)
Construction Material	Aluminum
Ingress Protection Rating/Standard	IP67 (with appropriate installation standards)

### Ordering information

**PSU-IIR-35 Power supply, 100-240VAC/24VDC, 1.25A**  
Constant Voltage, 24 VDC, 35W power supply designed for LED lighting applications. 100-240VAC in, 1.46A out. Aluminum case rated IP67.  
Order number **PSU-IIR-35**

**PSU-IIR-60 Power supply, 100-240VAC/24VDC, 2.5A**  
Constant Voltage, 24 VDC, 60W power supply designed for LED lighting applications. 100-240VAC in, 2.5A out. Aluminum case rated IP67.  
Order number **PSU-IIR-60**

**PSU-IIR-100 Power supply, 100-240VAC/24VDC, 4.2A**  
Constant Voltage 24 VDC, 100W power supply designed for LED lighting applications. 100-240VAC in, 4.16A out. Aluminum case rated IP67.  
Order number **PSU-IIR-100**

**Represented by:**

**Europe, Middle East, Africa:**  
Bosch Security Systems B.V.  
P.O. Box 80002  
5600 JB Eindhoven, The Netherlands  
Phone: + 31 40 2577 284  
emea.securitysystems@bosch.com  
emea.boschsecurity.com

**Germany:**  
Bosch Sicherheitssysteme GmbH  
Robert-Bosch-Ring 5  
85630 Grasbrunn  
Germany  
www.boschsecurity.com

**North America:**  
Bosch Security Systems, Inc.  
130 Perinton Parkway  
Fairport, New York, 14450, USA  
Phone: +1 800 289 0096  
Fax: +1 585 223 9180  
onlinehelp@us.bosch.com  
www.boschsecurity.us

**Asia-Pacific:**  
Robert Bosch (SEA) Pte Ltd, Security Systems  
11 Bishan Street 21  
Singapore 573943  
Phone: +65 6571 2808  
Fax: +65 6571 2699  
apr.securitysystems@bosch.com  
www.boschsecurity.asia