

L5 Series

lecterns

integration friendly lecterns simplify design and minimize delays

features:

- Frame to Furniture™ design complements an integrator's installation workflow
- Steel frame ships assembled and ready to integrate in the shop or on-site
- Open frame design includes built-in power and provisions for cable and thermal management
- Presenter's Panel™ is designed with the cutouts specified, and ships with the frame (models with Turret only)
- Available in 3 widths
- Unique design allows panels to be replaced quickly and easily
- Panels available in Sota and Klasik styles
- Standard finishes available in Veneer, High Pressure Laminate and Thermolaminate materials



Credenza in Native Maple finish with optional drawer and side shelf

specifications:

EIA Compliant 19" AV Lectern shall be Middle Atlantic Products model # L5-___-__ LDW (refer to chart). AV Lectern shall be available in 23", 33", or 43" widths, with 1 or 2 rack bays and a storage area, depending on model (refer to chart). Overall dimensions shall be ___" H x ___" W x 28-3/8" D (refer to chart). Usable height shall be 12 rackspace per bay. AV Lectern frames shall ship fully assembled and be constructed of steel. Total weight capacity with Middle Atlantic finishing kit shall be ___ lbs. (refer to chart) Each rack bay shall come equipped with 1 pair of 11-gauge steel rackrail tapped with 10-32 mounting holes in universal EIA spacing, black e-coat finish and numbered rackspace. AV Lectern rack shall have (1,2) 70 CFM thermostatically controlled fans per bay. AV Lectern shall have a slide-out keyboard shelf, ___" W x 2.25" H x 12.06" D. AV Lectern shall have a side shelf with a useable area of 20.93" W x 7.49" H x 7.56" D. Thermostatically controlled fans shall be powered on at 87°F and turn off at 85°F. AV Lectern shall include a 15 Amp, 8 outlet surge-protected power strip with a 10' cord. Models with turret shall have customizable Presenter's Panel, which can accept touchscreens and other panel mounted devices with an overall size of ___" H x ___" W x ___ 8.31" D (refer to chart). AV Lectern shall have venting on the top. AV Lectern shall be finished in a durable black powder coat. Finishing kit shall ship separately from rack, be available in a Sota or Klasik style and be model # L5-___K-___ (design online at middleatlantic.com), and secured to the Lectern. Top, sides and front doors shall be available in Veneer, High Pressure Laminate and Thermolaminate materials, visit middleatlantic.com for list of available finishes. AV Lectern rack shall include 4 fine floor casters. AV Lectern rack shall be GREENGUARD Gold Certified with the exception of Veneer finishes, which shall be GREENGUARD Certified. AV Lectern rack shall comply with the requirements of RoHS EU Directive 2011/96/EU. AV Lectern rack shall be manufactured by an ISO 9001 and ISO 14001 registered company. AV Lectern frame shall be warranted to be free from defects in material or workmanship under normal use and conditions for the lifetime of the rack, fans shall be warranted for a period of three years.

Customizable specification clips available at middleatlantic.com

EIA/TIA COMPLIANT



PRODUCT CERTIFIED FOR
LOW CHEMICAL EMISSIONS
UL.COM/GG
UL 2818

options:

- Drawer/camera shelf shall be model # L5-DCD23 and be available for 33" and 43" wide models
- Side drawer shall be model #L5-SD7
- Side shelf shall be model #L5-FS-___ (refer to chart), and be available for 33" and 43" wide models
- 8" Gooseneck light with dimmer shall be model #L5-TASKLIGHT18
- Articulating Tablet Mount shall be model #L5-TABLETMT
- Shockmount Microphone Holder shall be model #L5-SHOC-XLR-S
- 4" Clock Timer shall be model #L5-CLOCKTIMER4
- Single LCD monitor mount accommodates VESA 75 and VESA 100 monitor shall be Middle Atlantic Products part # MMB-1X1-12C and have a 17.6 lb. weight capacity
- Custom 12" x 14" logo, Aluminum shall be model #L5-LOGO14A-XXXXX, Bronze shall be model #L5-LOGO14B-XXXXX, Color shall be L5-LOGO14CXXXXX
- Millwork Kit shall be model # L5-MK(select width, 23,33,43)-(select hardware color, SN=Satin Nickel, CB=Classic Bronze)

what great systems are built on.™

A brand of legrand



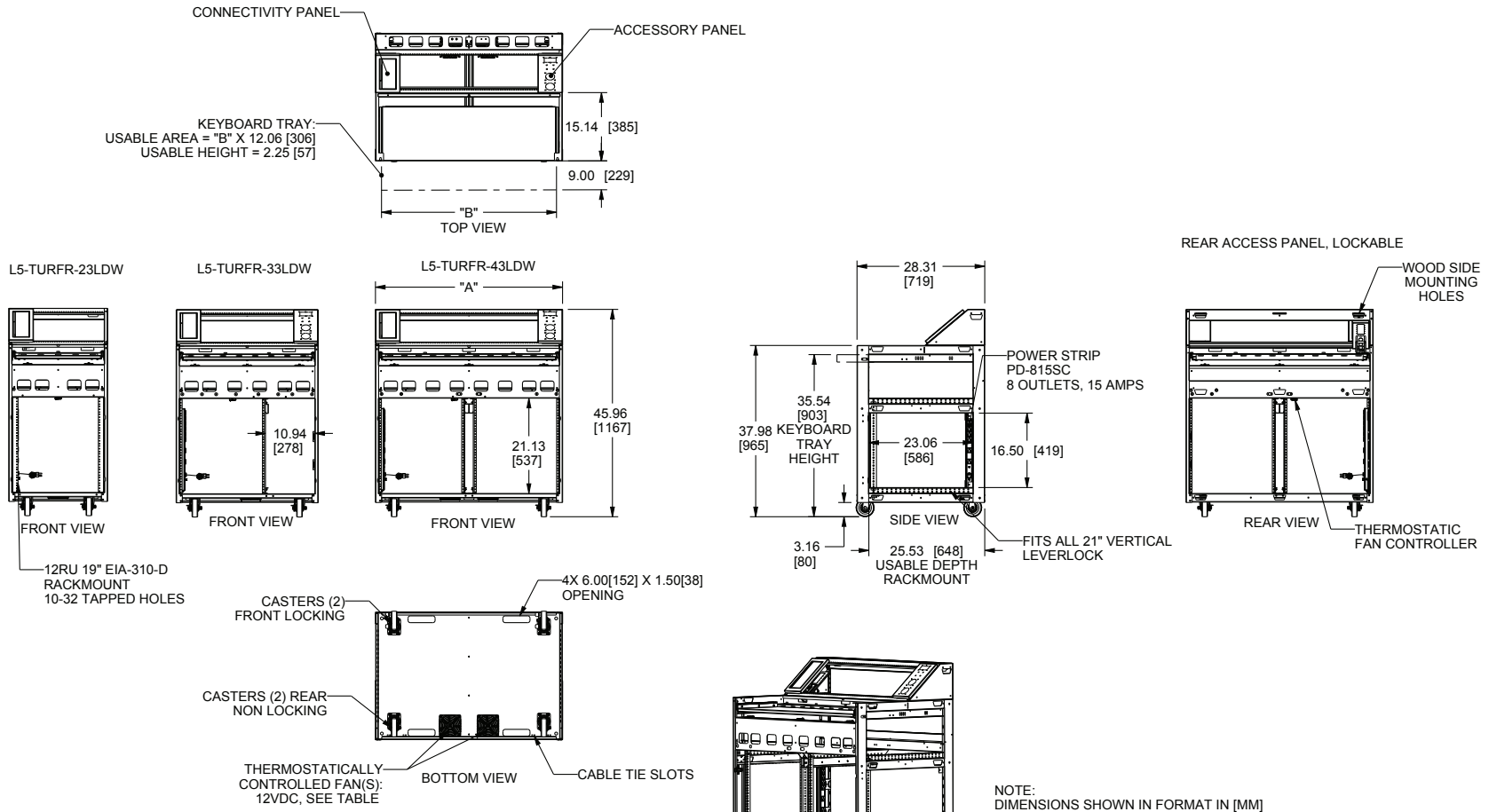
Middle Atlantic Products

middleatlantic.com | middleatlantic.com

96-01244 / rev c / 1-22-18

L5 Series Lecterns

basic dimensions



PRODUCT #	"A" FRAME WIDTH	"B" USABLE KEYBOARD WIDTH	19" RACKMOUNT BAYS	WEIGHT CAPACITY [LBS/KG]	FAN QTY	CFM	DBA
L5-TURFR-23LDW	21.93 [557]	18.99 [482]	1	200 / 91	1	70	29
L5-TURFR-33LDW	31.50 [800]	28.56 [726]	1	300 / 136	1	70	29
L5-TURFR-43LDW	41.50 [1054]	38.56 [980]	2	400 / 181	2	140	32

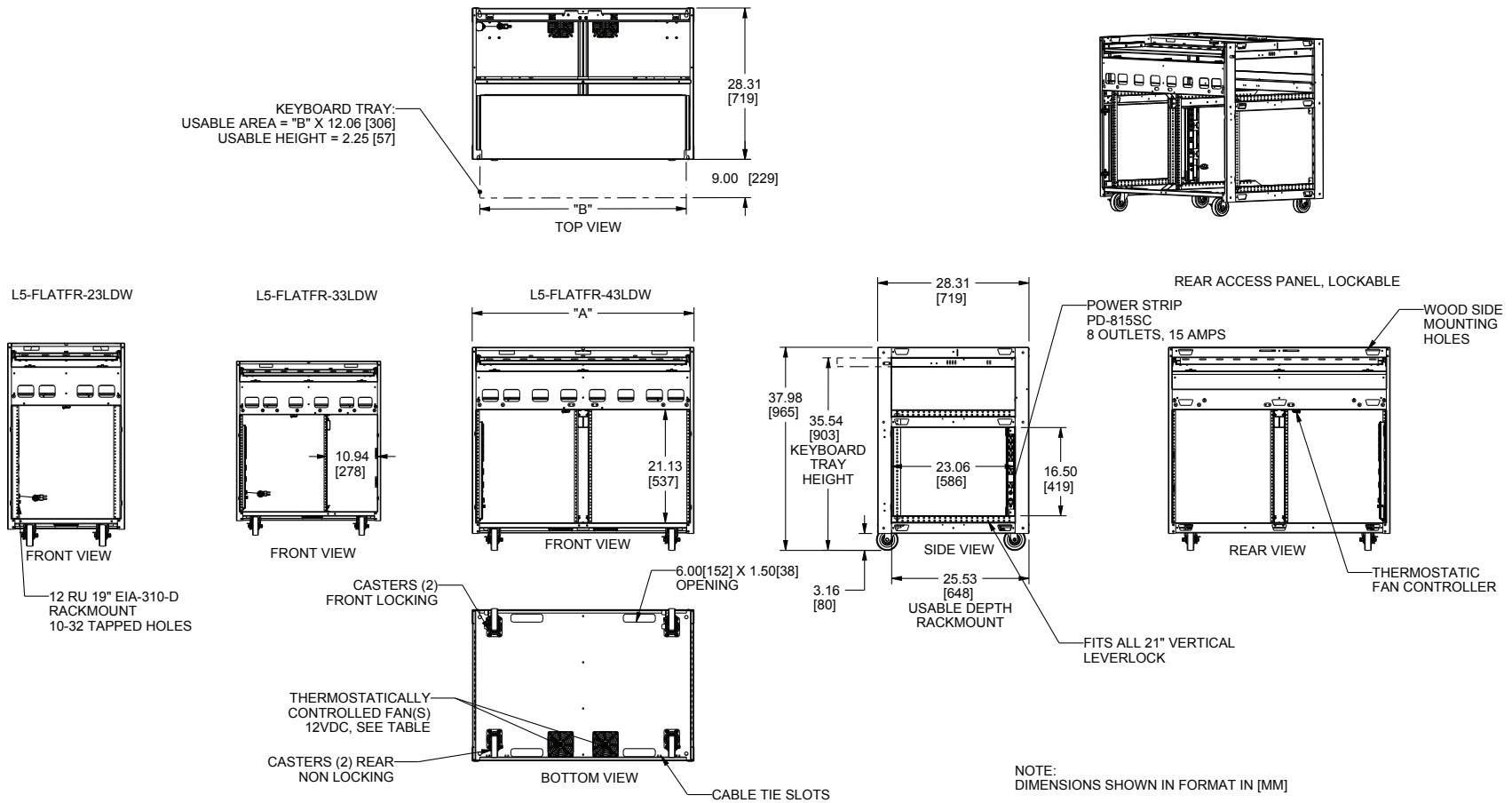
what great systems are built on.™

A brand of **legrand**

Middle Atlantic Products
middleatlantic.com | middleatlantic.ca

L5 Series Lecterns

basic dimensions



PRODUCT #	"A" FRAME WIDTH	"B" USABLE KEYBOARD WIDTH	19" RACKMOUNT BAYS	WEIGHT CAPACITY (LBS/KG)	FAN QTY	CFM	DBA
L5-FLATFR-23LDW	21.93 [557]	18.99 [482]	1	200 / 91	1	70	29
L5-FLATFR-33LDW	31.50 [800]	28.56 [726]	1	300 / 136	1	70	29
L5-FLATFR-43LDW	41.50 [1054]	38.56 [980]	2	400 / 181	2	140	32

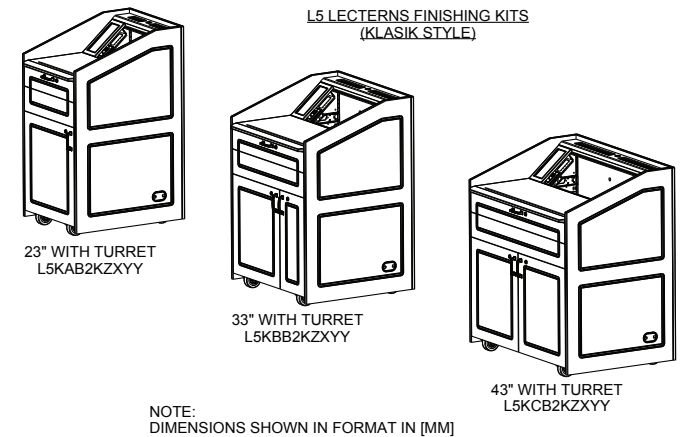
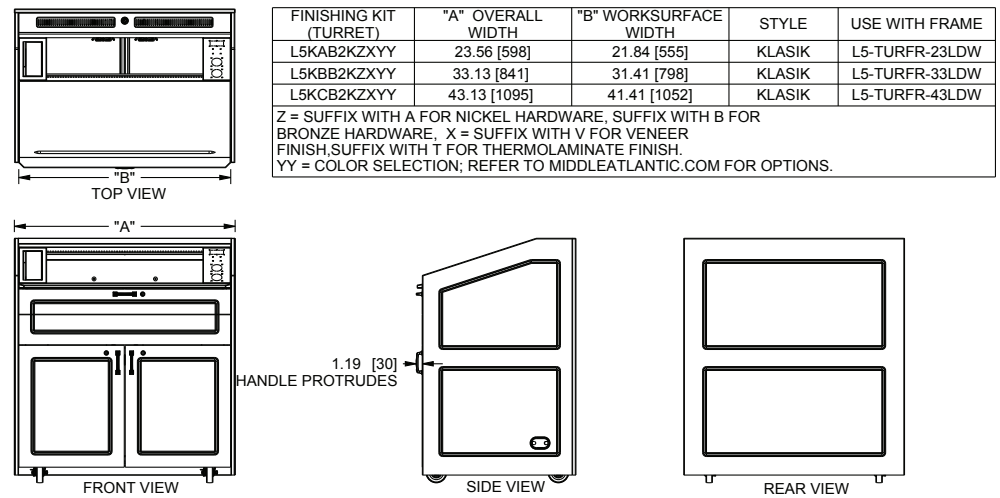
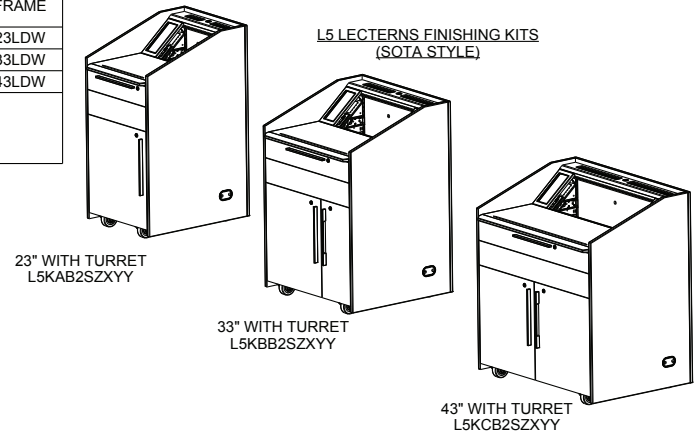
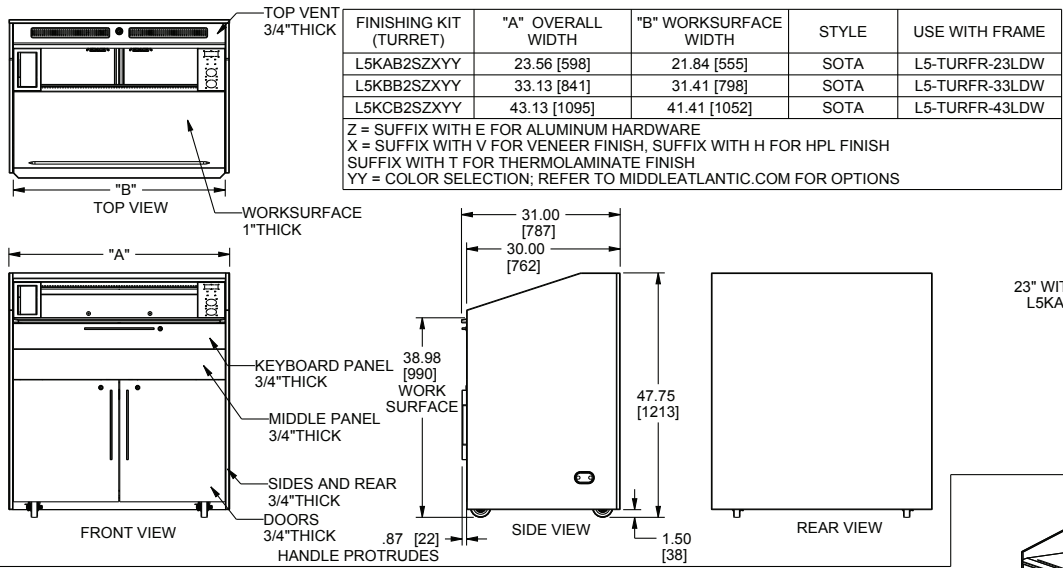
what great systems are built on.™

A brand of **Legrand**

MA
Middle Atlantic Products
 middleatlantic.com | middleatlantic.ca

L5 Series Lecterns

basic dimensions



what great systems are built on.™

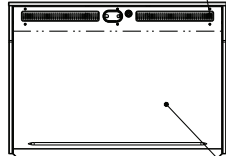
A brand of **legrand**

MA
 Middle Atlantic Products
 middleatlantic.com | middleatlantic.ca

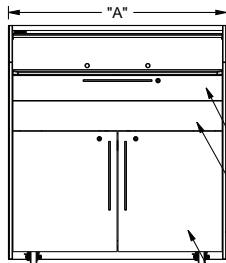
L5 Series Lecterns

basic dimensions

TOP VENT ON WORKSURFACE



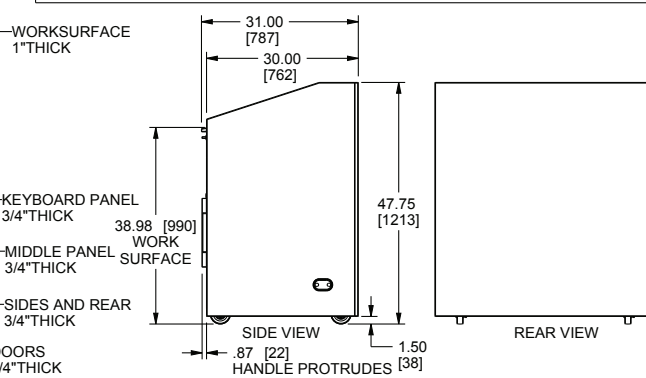
"B" TOP VIEW



FRONT VIEW

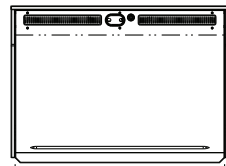
FINISHING KIT (FLAT)	"A" OVERALL WIDTH	"B" WORKSURFACE WIDTH	STYLE	USE WITH FRAME
L5KAB2SZXY	23.56 [598]	21.84 [555]	SOTA	L5-FLATFR-23LDW
L5KBB2SZXY	33.13 [841]	31.41 [798]	SOTA	L5-FLATFR-33LDW
L5KCB2SZXY	43.13 [1095]	41.41 [1052]	SOTA	L5-FLATFR-43LDW

Z = SUFFIX WITH F FOR ALUMINUM HARDWARE
 X = SUFFIX WITH V FOR VENEER FINISH, SUFFIX WITH H FOR HPL FINISH
 SUFFIX WITH T FOR THERMOLAMINATE FINISH
 YY = COLOR SELECTION; REFER TO MIDDLEATLANTIC.COM FOR OPTIONS

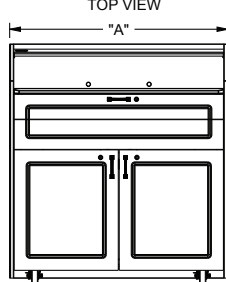


FINISHING KIT (FLAT)	"A" OVERALL WIDTH	"B" WORKSURFACE WIDTH	STYLE	USE WITH FRAME
L5KAB2KZXY	23.56 [598]	21.84 [555]	KLASIK	L5-FLATFR-23LDW
L5KBB2KZXY	33.13 [841]	31.41 [798]	KLASIK	L5-FLATFR-33LDW
L5KCB2KZXY	43.13 [1095]	41.41 [1052]	KLASIK	L5-FLATFR-43LDW

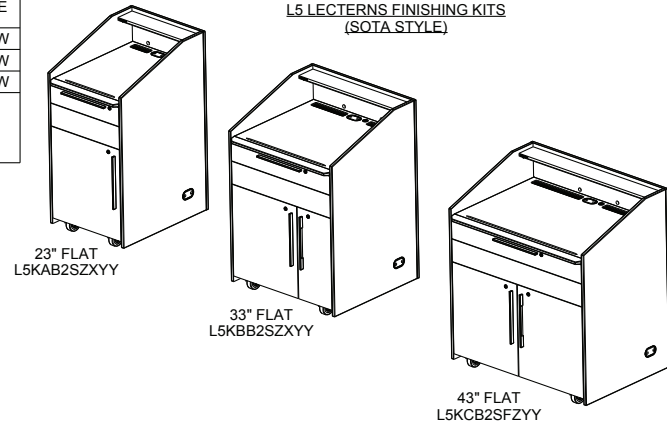
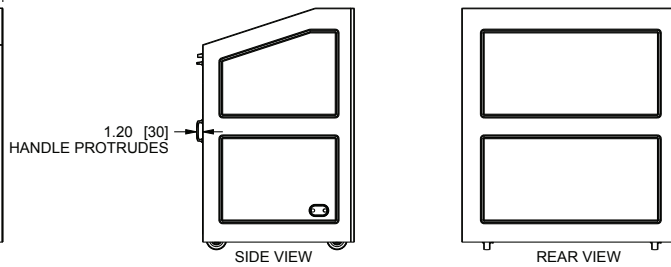
Z = SUFFIX WITH C FOR NICKEL HARDWARE, SUFFIX WITH D FOR BRONZE HARDWARE, X = SUFFIX WITH V FOR VENEER FINISH, SUFFIX WITH T FOR THERMOLAMINATE FINISH.
 YY = COLOR SELECTION; REFER TO MIDDLEATLANTIC.COM FOR OPTIONS.



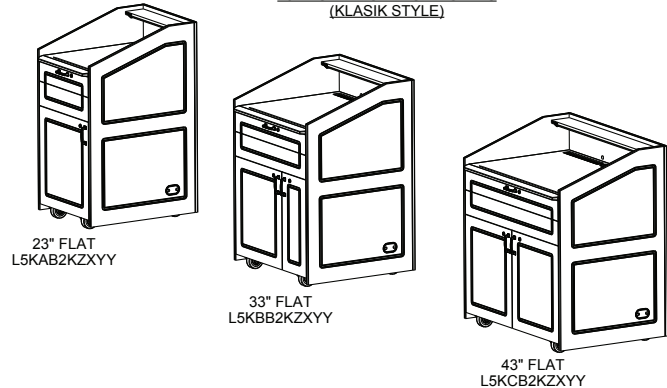
"B" TOP VIEW



FRONT VIEW



L5 LECTERNS FINISHING KITS (SOTA STYLE)

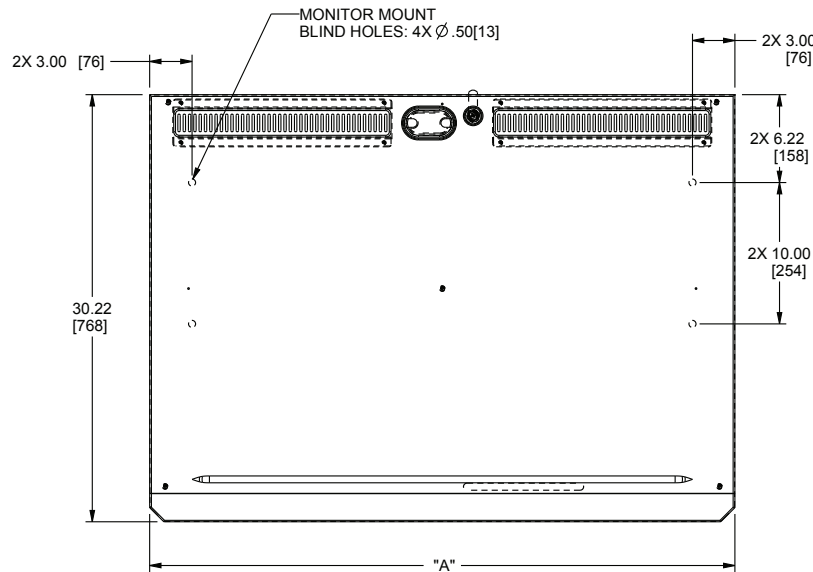
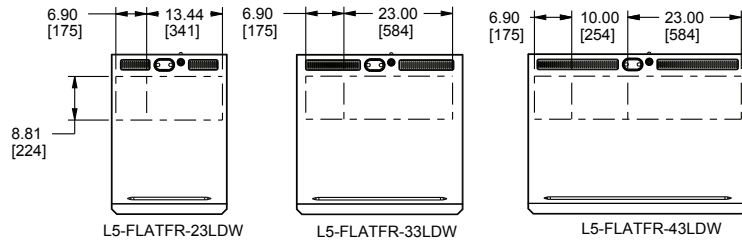


L5 LECTERNS FINISHING KITS (KLASIK STYLE)

NOTE: DIMENSIONS SHOWN IN FORMAT IN [MM]

L5 Series Lecterns

basic dimensions

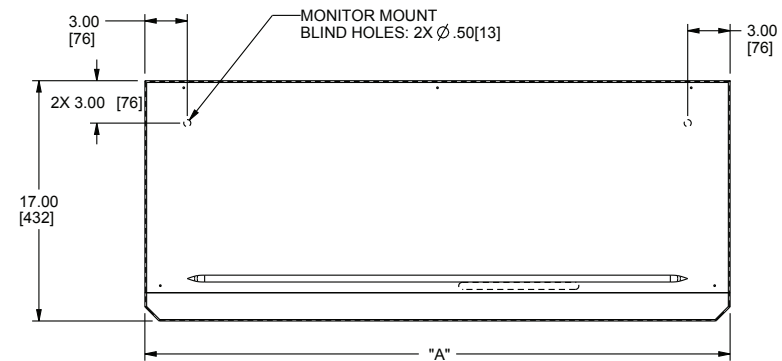


SCALE 1/8

"A" WORK SURFACE WIDTH	GOES WITH FLAT FRAME
21.84 [555]	L5-FLATFR-23LDW
31.41 [798]	L5-FLATFR-33LDW
41.41 [1052]	L5-FLATFR-43LDW

L5	SHELF OR DRAWER OPTION INSTALLED	SHELF OR DRAWER OPTION NOT INSTALLED	MIDDLE BETWEEN SHELF OR DRAWER OPTIONS
23"	4.69 [119]	11.31 [287]	NA
33"	4.69 [119]	11.31 [287]	NA
43"	4.69 [119]	11.31 [287]	11.31 [287]

USABLE DEPTH WITH DRAWER AND SHELF OPTION INSTALLED OR NOT INSTALLED.



SCALE 1/8

"A" WORK SURFACE WIDTH	GOES WITH TURRET FRAME
21.84 [555]	L5-TURFR-23LDW
31.41 [798]	L5-TURFR-33LDW
41.41 [1052]	L5-TURFR-43LDW

NOTE(S):
 1) DIMENSIONS SHOWN IN FORMAT IN [MM]
 2) BLIND HOLES INDICATE MOUNTING LOCATIONS FOR MONITOR MOUNT MMB-1X1-12

what great systems are built on.™

A brand of **legrand**

Middle Atlantic Products

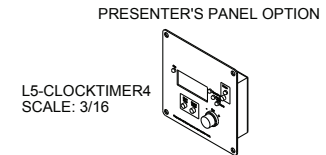
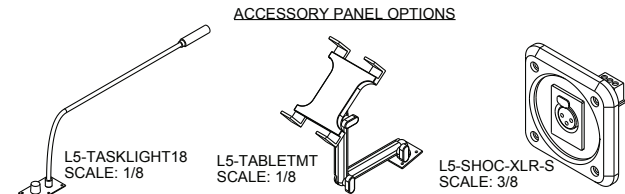
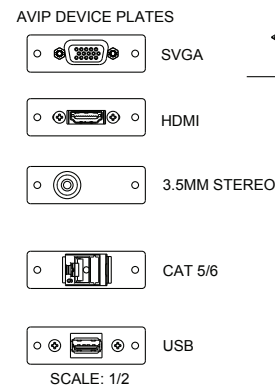
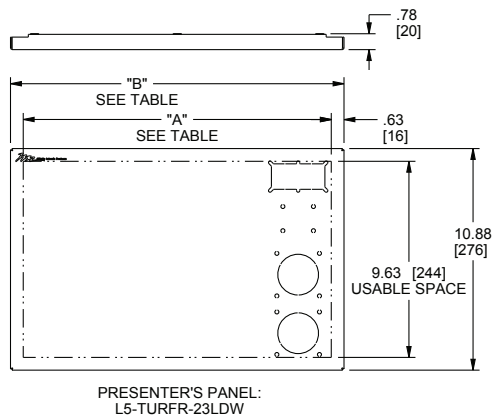
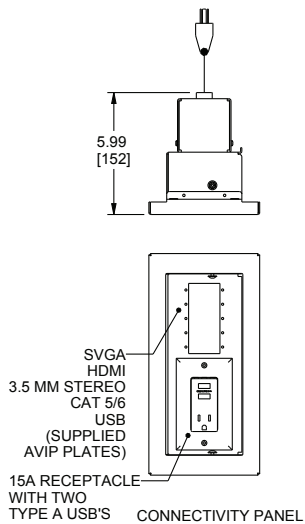
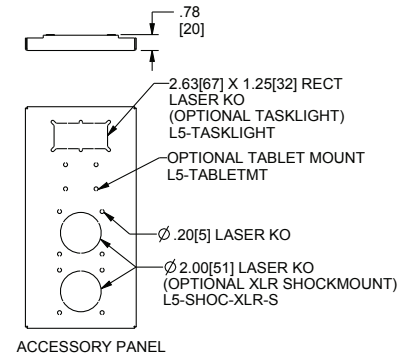
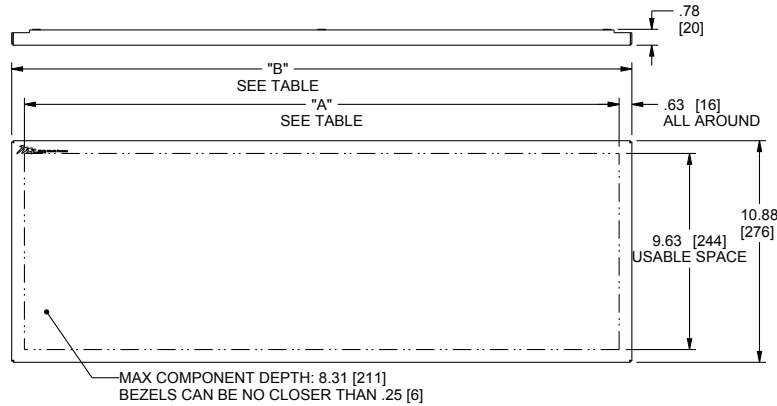
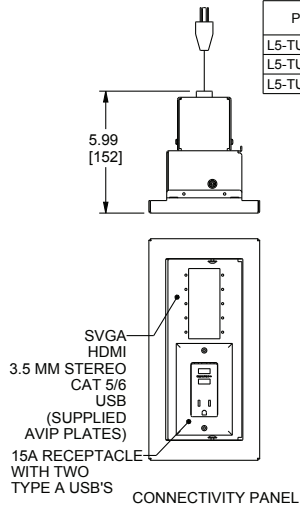
middleatlantic.com | middleatlantic.ca

L5 Series Lecterns

basic dimensions

PRODUCT #	STANDARD PRESENTER'S PANEL	CUSTOM PRESENTER'S PANEL	"A" USABLE PANEL WIDTH	"B" PANEL WIDTH
L5-TURFR-23LDW	L5-SPNL-23	L5-CUSTPNL-23	15.12 [384]	16.37 [416]
L5-TURFR-33LDW	L5-SPNL-33	L5-CUSTPNL-33	19.19 [487]	20.44 [519]
L5-TURFR-43LDW	L5-SPNL-43	L5-CUSTPNL-43	29.19 [741]	30.44 [773]

NOTE(S):
 1) ACCESSORY PANEL NOT OFFERED FOR L5-TURFR-23LDW, RESPECTIVE FEATURES ARE LOCATED ON THE PRESENTER PANEL
 2) DIMENSIONS SHOWN IN FORMAT IN [MM]



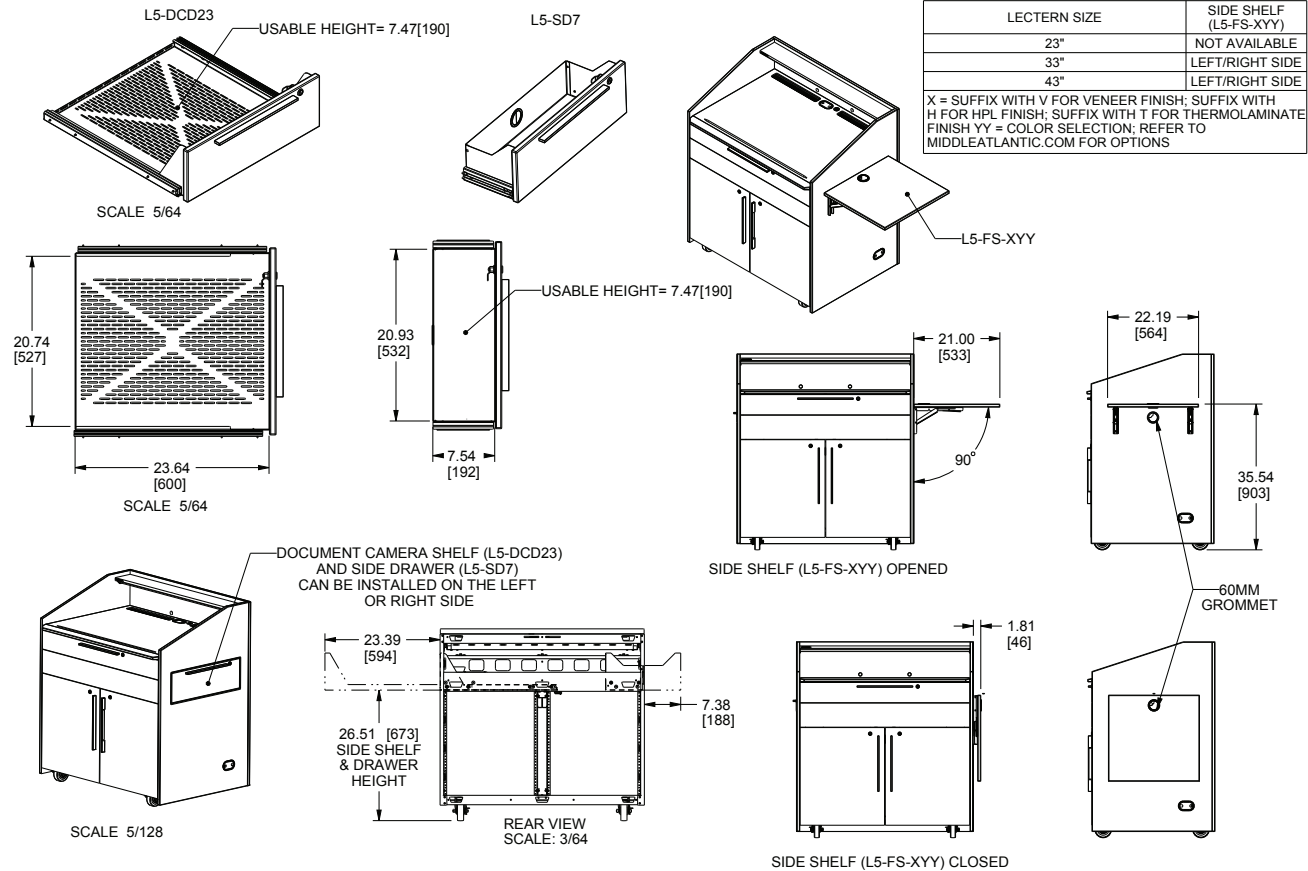
what great systems are built on.™

A brand of **legrand**

MA
 Middle Atlantic Products
 middleatlantic.com | middleatlantic.ca

L5 Series Lecterns

basic dimensions



LECTERN SIZE	DRAWER/CAMERA SHELF (L5-DCD23)	SIDE DRAWER (L5-SD7)
23"	NOT AVAILABLE	LEFT/RIGHT SIDE
33"	LEFT/RIGHT SIDE	LEFT/RIGHT SIDE
43"	LEFT/RIGHT SIDE	LEFT/RIGHT SIDE

NOTE:
DIMENSIONS SHOWN IN FORMAT IN [MM]

what great systems are built on.™

A brand of **legrand**

MA
Middle Atlantic Products
middleatlantic.com | middleatlantic.ca