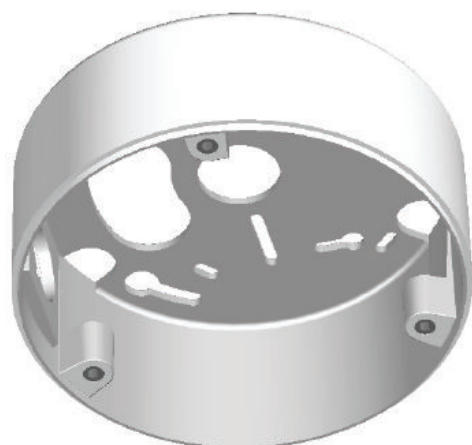


VDA-455SMB Surface Mount Box

www.boschsecurity.com



BOSCH
Invented for life

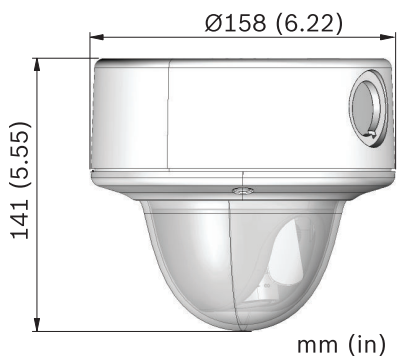


- ▶ Easy installation
- ▶ Sturdy construction

Certifications and approvals

Region	Certification
Europe	CE accessories

Installation/configuration notes



Parts included

The packaging contains:

	Item
1x	Mount
	Attachment components

Technical specifications

Construction material	Aluminum alloy
Finish	RAL 9003 signal white

Ordering information

VDA-455SMB Surface Mount Box

High impact surface mount box for dome cameras
Order number **VDA-455SMB**