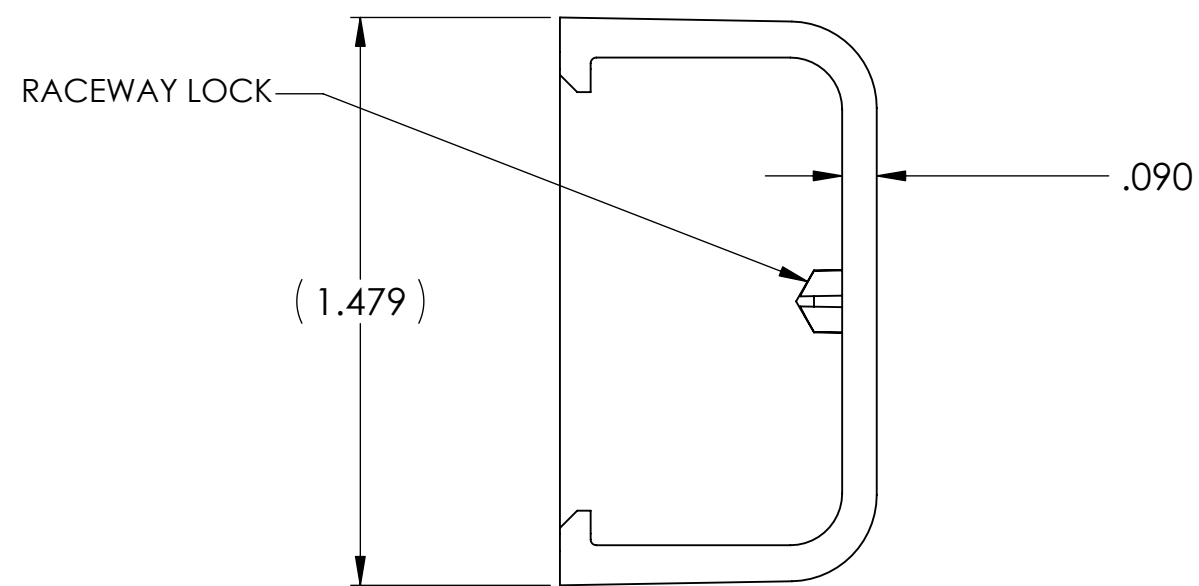


Ø.188
RECOMMENDED DRILL IN RACEWAY
FOR POWER SYSEM



PART NO. DESCRIPTION

TSR2_-36

TSRP2_-36	POWER-RATED SYSTEM
TSR2_-36	LOW VOLTAGE SYSTEM
PART NO.	DESCRIPTION

COLOR:
I = IVORY
FW = OFFICE WHITE
W = WHITE
(FOR OTHER COLORS
CONTACT FACTORY)

REDUCED
NO SCALE

INVENTORS

HellermannTyton®

ALL PROPRIETARY RIGHTS IN THE SUBJECT MATTER SHOWN ON THIS DRAWING ARE EXCLUSIVE PROPERTY OF HELLERMANN TYTON

name date city, state

NOTES

1. THIS PART MATES WITH (1) TSR2 OR (1) TSRP2 RACEWAY.

REVISIONS

DR level	02
AW by	PLN
IN date	01/16/03
ECN #	003578
part level	B

DIMENSIONS

.xxxx = ±.0005
.xxx = ±.005
.xx = ±.01
.x = ±.03
∠ = ±0.5°
unless otherwise specified
units inches

PART

number	SEE CHART	phase	PRODUCTION
name	TSR2-36 & TSRP2-36 1 1/4" END CAP		
material	PVC		

DRAWING

format	C	CAD	SW	scale	2:1
version N					
computer file number	DT3026111CST_02			previous number	
drawn	MN/CE	checked	KAC	approved	
date	05/18/99		03/27/03		
type	CUSTOMER			sheet	1 of 1
number	DT3026111CST				