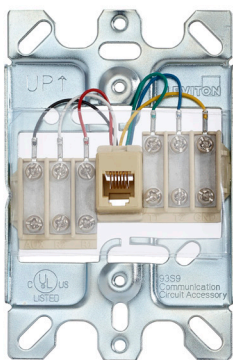


Telephone Wall Jack, 6P6C, Screw Terminal, Stainless Steel

APPLICATION

Leviton single-gang stainless steel wallplates are ideal for applications where telephone connection plates are needed. The durable stainless steel cover plate provides a neat, professional finish. Telephone wallplates with 6 Position 6 Conductor (6P6C) conductor modules include screw terminals for a fast and secure install. Wall mounting a telephone is easy with stainless steel mounting points that secure a telephone to the wallplate.



SPECIFICATION

The Stainless-Steel 6P6C Telephone Wallplate shall meet all applicable standards: cULus listed and FCC Part 68. The mounting plate and cover plate shall be made of stainless steel and include lugs for mounting a wall-mountable telephone. The plate shall fit standard NEMA openings. Plastics used in construction of the jack housing shall be high impact flame retardant ABS, with a UL flammability rating of 94V-0. The telephone wallplate shall support screw terminal connection. USOC color coding shall be indicated on the connector mounting plate assembly.

FEATURES

- Brushed stainless steel finish
- Screw terminal termination
- Stainless steel mounting points secure a telephone to the wallplate
- Wall phone jacks available in 6-conductor models

DESIGN CONSIDERATIONS

- Mounts to single-gang back-box or four-square box with appropriate user-provided reducer
- #6-32 mounting screws included
- USOC wire color coding

STANDARDS COMPLIANCE

- cULus listed
- FCC part 68
- Flame retardant UL 94V-0 plastic

PHYSICAL SPECIFICATIONS

Dimensions: 4.57" x 3.05" x 0.52"

Materials: **Mounting and cover plate:** Stainless steel
Jack housing: High-impact flame retardant ABS rated UL 94V-0
Contacts: Phosphor bronze alloy with minimum of 15 µin of gold over 100 µin of nickel

COUNTRY OF ORIGIN

Taiwan

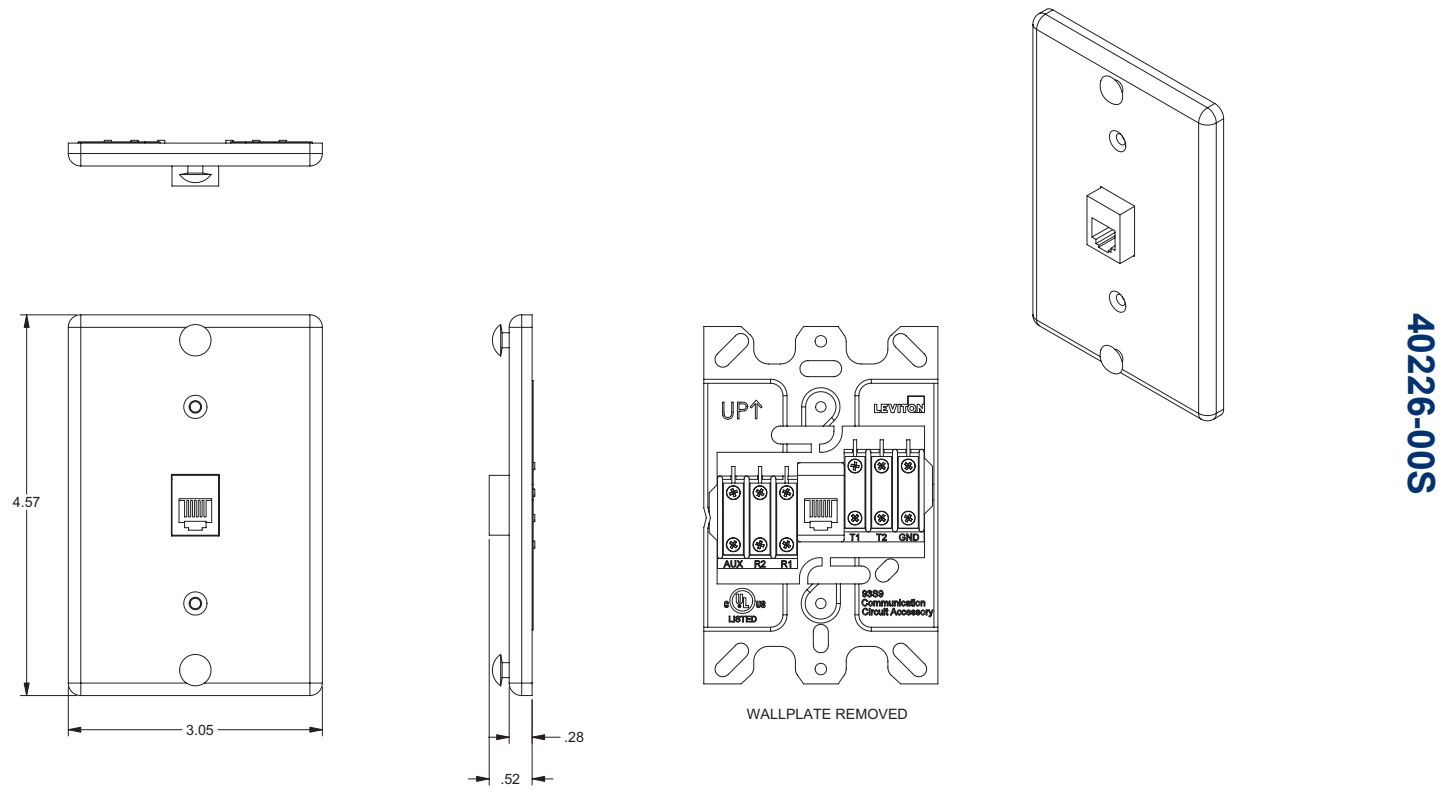
WARRANTY INFORMATION

For a copy of Leviton product warranties, visit www.leviton.com/warranty.

40226-00S

ELECTRONIC FILES

For CAD files, typical specs, or technical drawings (.DXF, .DWG), visit www.leviton.com.



PART NUMBERS

Description	Part No.
Telephone Wall Jack, 6P6C, Screw Terminal, Stainless Steel	40226-00S



Leviton Network Solutions 2222 - 222nd St. SE Bothell, WA 98021-4416 tel 1-800-824-3005 tel +1-425-486-2222 appeng@leviton.com www.leviton.com	Asia / Pacific T +1.631.812.6228 E infoasean@leviton.com	Canada T +1.514.954.1840 E pcservice@leviton.com	Caribbean T +1.954.593.1896 E infocaribbean@leviton.com	China T +852.2774.9876 E infochina@leviton.com	Colombia T +57.1.743.6045 E infocolombia@leviton.com
	Europe T +44.0.1592.772124 E customerserviceeu@leviton.com	India / SAARC T +971.4.886.4722 E infoindia@leviton.com	Mexico T +52.55.5082.1040 E Isamarketing@leviton.com	Middle East & Africa T +971.4.247.9800 E Imeinfo@leviton.com	South Korea T +82.2.3273.9963 E infokorea@leviton.com