

High Power DC

power distribution

Replace messy, space consuming wall warts and power supplies with a universal DC power solution for DC powered AV, Networking and Security devices.

features:

- Various voltage outputs available (5V, 12V, 24V & 12V/24V combined) supported in a single box 1RU form factor
- Color-coded screw terminal connectors with industry standard voltages & polarity labeling for easy identification
- MOV surge and overload protection on the AC input and auto-resetting PTC overload protection on each individual DC output
- LED indicator lights alert maximum capacity on each voltage bank
- Hardware kit includes flexible mounting hardware, color-coded screw terminal connectors to connect devices, and a 1.83m (6 ft.) IEC power cord
- CE marked and has 230V/50Hz input



EU CEE 7/7



UK BS 1363



CH SEV 1011



UP IEC C14

specifications:

DC Power Distribution power management products shall be Middle Atlantic Products model # PD-DC___(refer to chart). DC Power Distribution products shall be ___"H x ___"W x ___"D (refer to drawing). DC Power shall output ___ watts, refer to chart. DC Power shall provide MOV surge and overload protection and resettable PTC overload protection on each individual DC output. PD-DC___ shall provide ___qty ___VDC outputs (refer to chart) and support mounting to the side of the enclosure with hooks or push-pins or rackmount flush or recessed, or mount to the side of the enclosure (refer to drawing). DC Power shall include a 1.83m (6 ft.) removable IEC power cord with a ___plug (refer to chart). DC Power shall include a thermostatically controlled fan. DC Power shall have ___V (120V / 230), ___ Hz (50, 60) input, refer to chart. DC Power shall be CE marked. DC Power shall be EU RoHS Directive 2011/65/EU compliant. DC Power shall be manufactured by an ISO 9001& 14001 registered company. DC Power shall be warranted to be free from defects in materials and workmanship under normal use and conditions for a period of 3 years.

Customizable specification clips available at middleatlantic.com

EIA/TIA COMPLIANT



WHAT GREAT SYSTEMS ARE BUILT ON™ | LEGRANDAV.COM

USA P 800.266.7225 E av.middleatlantic.support@legrand.com
CANADA P 888.766.9770 E av.middleatlantic.support@legrand.com

©2019 Middle Atlantic Products, Inc. All rights reserved. All other brand names or marks are used for identification purposes and are trademarks of their respective owners. All patents are protected under existing designations. Other patents pending.

| AV

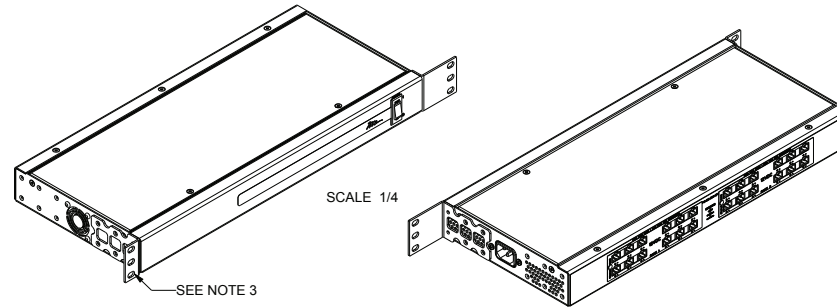
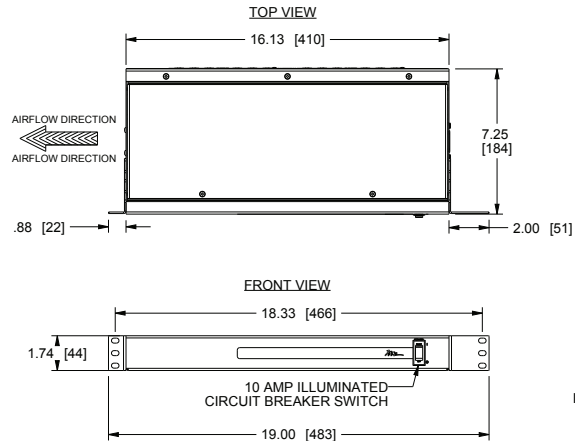
COMMERCIAL BRANDS

C2G | Chief | Da-Lite | Luxul | Middle Atlantic | Vaddio | Wiremold

120-00018 / rev - / 11-8-19

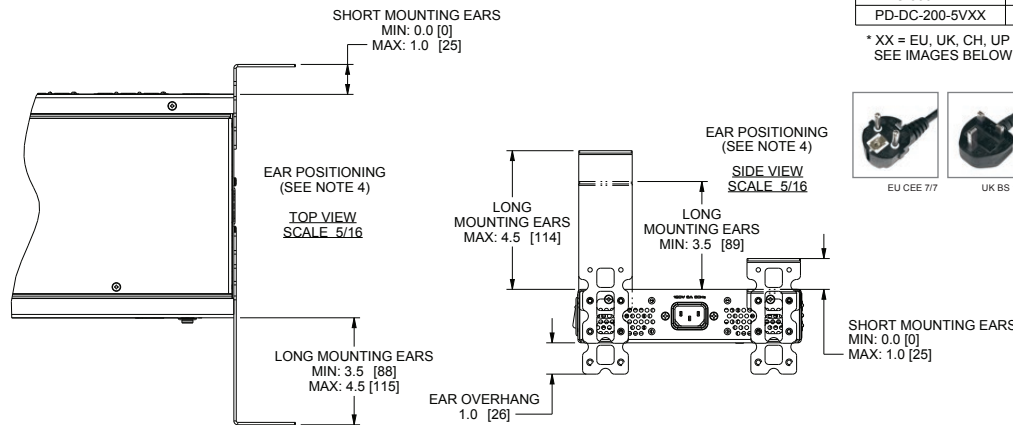
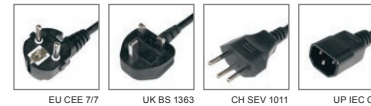
High Power DC Power Distribution

basic dimensions



PART NUMBER	OUTPUT POWER	# OF 5VDC OUTPUTS	# OF 12VDC OUTPUTS	# OF 24VDC OUTPUTS
PD-DC-300-12VXX	300W	0	24	0
PD-DC-300-24VXX	300W	0	0	24
PD-DC-300-12-24VXX	300W	0	12	12
PD-DC-200-5VXX	200W	24	0	0

* XX = EU, UK, CH, UP
 SEE IMAGES BELOW FOR POWER CORD INCLUDED



1. MODEL NUMBER PD-DC-300-12VUK SHOWN
2. THERMOSTATICALLY CONTROLLED FAN FOR COOLING. DO NOT BLOCK FAN OR VENT HOLES.
3. COMES PREINSTALLED WITH SHORT MOUNTING EARS AS SHOWN.
4. EAR POSITIONING MAY BE CHANGED FROM FRONT TO BACK, OFFSET, OR ROTATED 90 DEGREES. LONG EARS ARE ALSO INCLUDED. SEE EAR POSITIONING VIEWS FOR DIMENSIONAL DETAILS.
5. DIMENSIONS ARE IN THE FORMAT: IN [MM]



WHAT GREAT SYSTEMS ARE BUILT ON™ | LEGRANDAV.COM

USA P 800.266.7225 E av.middleatlantic.support@legrand.com
 CANADA P 888.766.9770 E av.middleatlantic.support@legrand.com

©2019 Middle Atlantic Products, Inc. All rights reserved. All other brand names or marks are used for identification purposes and are trademarks of their respective owners. All patents are protected under existing designations. Other patents pending.



COMMERCIAL BRANDS

C2G | Chief | Da-Lite | Luxul | Middle Atlantic | Vaddio | Wiremold

High Power DC Power Distribution

basic dimensions

PD-DC-300,200 SERIES

SPECIFICATION	DETAILS
Line Voltage	100~240VAC, 50/60HZ
Current Rating	5A AC MAX.
Max. Input Power Rating	340W @ 120VAC, 60HZ (DC OUTPUTS FULLY LOADED)
AC Input	IEC C-14
Power Cable Length	6FT. (1.83M)
Total DC Output Current	See "Max. Current Total" column on the DC Outputs table
DC Output Current Protection	Automatically Resetting PTC Fuse On Each Output
UL/CSA Standard	UL/CSA C22.2, NO. 60950-1
FCC/IC Class	CLASS B
Idle current	.080A AC

IDLE CURRENT

MODEL	CURRENT
PD-DC-200-5V	.250A
PD-DC-300-12V	.120A
PD-DC-300-24V	.120A
PD-DC-300-12-24V	.120A

DC OUTPUTS

MODEL	MAX. CURRENT TOTAL	MAX. CURRENT PER BANK	MAX. CURRENT PER OUTPUT	TOTAL DC OUTPUT POWER
PD-DC-200-5V	40A	20A	5A	200W
PD-DC-300-12V	25A	12.5A	5A	300W
PD-DC-300-24V	12.5A	6.5A	4.1A	300W
PD-DC-300-12-24V	18.75A	12V: 12.5A 24V: 6.25A	12V: 5A 24V: 4.1A	300W

CAUTION! DO NOT EXCEED MAXIMUM RATINGS



WHAT GREAT SYSTEMS ARE BUILT ON™ | LEGRANDAV.COM

USA P 800.266.7225 E av.middleatlantic.support@legrand.com
 CANADA P 888.766.9770 E av.middleatlantic.support@legrand.com

©2019 Middle Atlantic Products, Inc. All rights reserved. All other brand names or marks are used for identification purposes and are trademarks of their respective owners. All patents are protected under existing designations. Other patents pending.



COMMERCIAL BRANDS

C2G | Chief | Da-Lite | Luxul | Middle Atlantic | Vaddio | Wiremold