

Single and Dual-Gang Low-Voltage Surface-Mount Back Boxes

APPLICATION

Single and dual-gang back boxes are used for surface-mount installation of low-voltage connectivity in hard-wall or open-office environments. They are compatible with all Leviton QuickPort™ and MOS flush-mount wallplates, and accommodate various raceway types. They are available in two depths (1.45 and 1.89 inches) and in four colors (white, ivory, gray, and black).



SPECIFICATION

Surface-mount back boxes shall accept NEMA compliant flush-mount plates supporting low-voltage connectivity. Both side and rear cable entry must be provided with rear cable knockout sized to accommodate cable bend-radius. Back boxes shall have a removable base and accommodate two sizes of raceway on sides, top, and bottom. Matching shallow and deep versions shall be available. Colors and configurations to be specified per schedule on plan. Back boxes shall be constructed of high-impact, fire-retardant plastic rated UL 94V-0, and be UL Listed and compliant with ANSI/TIA-568.0-D specifications.

COUNTRY OF ORIGIN

Mexico

FEATURES

- Back boxes have tie-wrap anchors at each inside raceway entry point
- Dual-gang back box has four fiber storage tie-wrap anchors located on base surface
- Screws and tape provided for mounting; optional magnet retention (41030-SMJ)
- Compatible with all Leviton multimedia wallplates, including QuickPort wallplates
- Two-piece construction
- Designed with rear and side cable access breakouts
- Larger breakouts in single-gang bases accommodate a larger cable bend radius
- Available in four colors (white, ivory, gray, and black)
- Single-gang base can be mounted over an existing single-gang handy box or low voltage bracket.
- Dual-gang base can be mounted over a single-gang or a dual-gang box with appropriate single-gang or dual-gang reducer

DESIGN CONSIDERATIONS

- Suitable for category-rated data cabling
- Single-gang back box accepts Leviton MOS, QuickPort wallplates, and any Leviton single-gang wallplate
- Dual-gang back box accepts mounting of fiber ring (41290-DRx), MOS, QuickPort dual-gang wallplates, and any Leviton dual-gang NEMA style wallplate
- Back boxes include two-magnet retainers for optional surface mounting with magnets (magnets sold separately part 41030-SMJ)
- Side breakouts accept Wiremold and Panduit raceway or equivalent
- Rear and side cable access breakouts
- Available in two depths (1.45 and 1.89 inches)

STANDARDS & REGULATIONS

- UL Listed 1863 Communications Circuit Accessory
- CSA Certified
- ANSI/TIA-568.0-D

MECHANICAL SPECIFICATIONS

Dimensions: See page two
 Materials: Fire-retardant plastic rated 94V-0
 Mounting: Use screws (included), adhesive tape (included), or optional magnets (41030-SMJ)
 Color: White, ivory, gray, and black

WARRANTY INFORMATION

For Leviton product warranties, go to leviton.com/warranty

42777-1xx, 42777-2xx

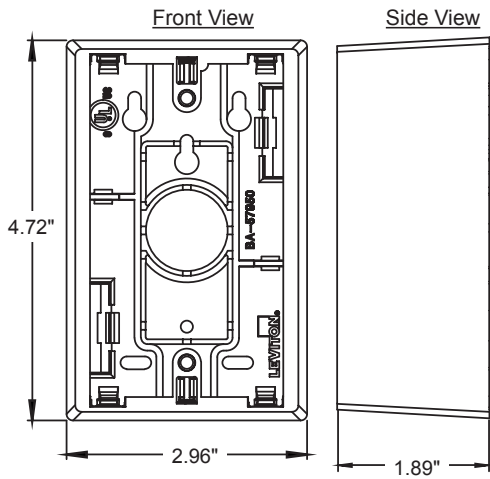
PRODUCT SPECIFICATIONS

42777-1xx, 42777-2xx

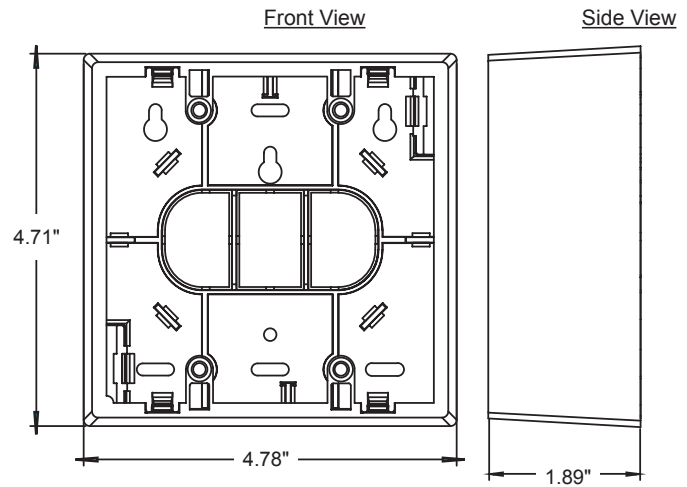


42777-1XX, 42777-2XX

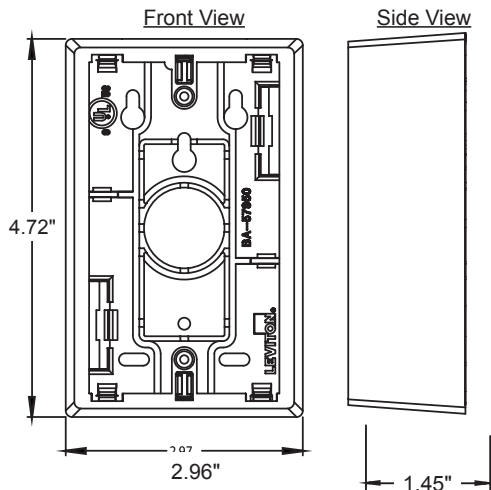
Single Gang



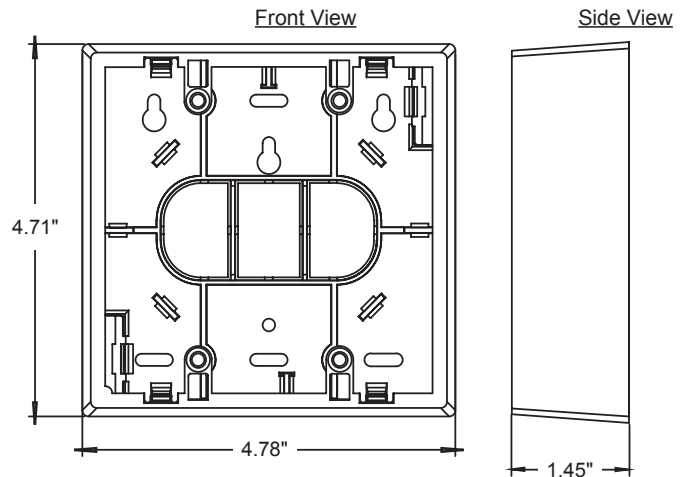
Dual Gang



Single Gang



Dual Gang



PART NUMBERS

Description	WHITE	IVORY	GRAY	BLACK
Single-Gang Surface-Mount Back Boxes, 1.89-inches deep	42777-1WA	42777-1IA	42777-1GA	42777-1EA
Single-Gang Surface-Mount Back Boxes, 1.45-inches deep	42777-1WB	42777-1IB	42777-1GB	42777-1EB
Dual-Gang Surface-Mount Back Boxes, 1.89-inches deep	42777-2WA	42777-2IA	42777-2GA	42777-2EA
Dual-Gang Surface-Mount Back Boxes, 1.45-inches deep	42777-2WB	42777-2IB	42777-2GB	42777-2EB

For further support information, visit leviton.com/ns/support

NETWORK SOLUTIONS GLOBAL HEADQUARTERS

Bothell, WA, USA | leviton.com/ns
 (800) 824 3005 / +1 (425) 486 2222 | appeng@leviton.com

NETWORK SOLUTIONS EUROPEAN HEADQUARTERS

Glenrothes, UK | leviton.com/ns/emea
 +44 (0) 1592 772124 | customerserviceeu@leviton.com

Leviton is dedicated to designing, developing and manufacturing sustainable high-performance structured cabling and speciality cabling solutions. Network Solutions products are available worldwide in over 100 countries. Visit us online to learn more.