

# LD Series

## monitoring / command desk

LD series monitoring desks are optimized for flat screens and ergonomically designed with the user in mind

### features:

- Modular design allows economical additions and a wide array configuration choices
- 48" and 64" widths available
- Connecting wedges available in 45° and 90° for versatile monitoring setups
- Power distribution and cable management cabinet features integral front and rear doors for convenient access
- LCD monitors can be mounted using optional monitor arms or placed on desks using manufacturer's stands
- Add-A-Bay™ models allow for economical expansion of desks
- Stable design will not tip; no leg extensions required
- A full complement of accessories available to finish any installation
- Available in an attractive Dark Cherry, Honey Maple, Pepperstone and Slate finish



Qty	Part #	Description
2	LD-4830HM	48" LCD Monitoring Desk- Honey Maple Finish
1	LD-W4530HM	45° Wedge with Cable Management Cabinet- Honey Maple Finish
1	LD-SP30-HM	Standard Side Panels (Pair)- Honey Maple Finish
1	MM3-2X1BLK	LCD Monitor Mount- 2 across
1	MM3-2X2BLK	LCD Monitor Mount- 2 across, 2 levels
1	D-CPU	Articulating under-desk computer mount
2	D-PT15	Pencil Tray

### specifications:

LD Series monitoring desk shall be Middle Atlantic Products model # LD-xx30xx. Overall dimensions shall be \_\_\_" W x 30.03" H x 32.24" D (refer to chart). Desktop finish shall be available in dark cherry, honey maple or pepperstone finish and constructed of 1" thick 45 lb. density industrial MDF board with thermolaminate. Power distribution and cable management cabinet shall be constructed of fully welded, 16-gauge steel and feature integral front and rear doors for convenient access. Stainless steel footrest shall be constructed of 18-gauge steel. Gangable side rack with smoked plexi front door and 12 rackspaces of 11-gauge steel rackrail with tapped 10-32 mounting holes shall be Middle Atlantic Products model # LD-1230\*. Connecting wedges available with and without cable management cabinet in 45° and 90° (only available with cable management cabinet) shall be Middle Atlantic Products model #LDW\_\_30\* (refer to chart). Monitor mounts accommodate any size LCD monitor up to \_\_\_ lbs. (refer to chart) with a VESA 75 / VESA 100 mounting pattern and shall be Middle Atlantic Products model # MM\_--\_-BLK (1X1 = 1, articulating / 2X1, 2 across / 1X2, 2 vertical / 3X1D, 3 across / 2X2, 2 across, 2 levels). Desk shall ship flat. LCD Monitoring / Command Desk shall be GREENGUARD Gold Certified. LCD Monitoring / Command Desk and its components shall be manufactured by an ISO 9001 and ISO 14001 registered company. The LCD Monitoring/Command Desk, isolation rack computer mount (enclosure only), side panel and connecting wedge shall be warrantied to be free from defects in material or workmanship under normal use and conditions for a period of 7 years. The articulating computer mount, keyboard shelf, adjustable light and isolation rack computer mount (fans only) shall be warrantied to be free from defects in material or workmanship under normal use and conditions for a period of 3 years. The monitor mount shall be warrantied to be free from defects in material or workmanship under normal use and conditions for the lifetime of the product.

Customizable specification clips available at [middleatlantic.com](http://middleatlantic.com)



PRODUCT CERTIFIED FOR  
LOW CHEMICAL EMISSIONS  
UL.COM/GG  
UL 2818

### options:

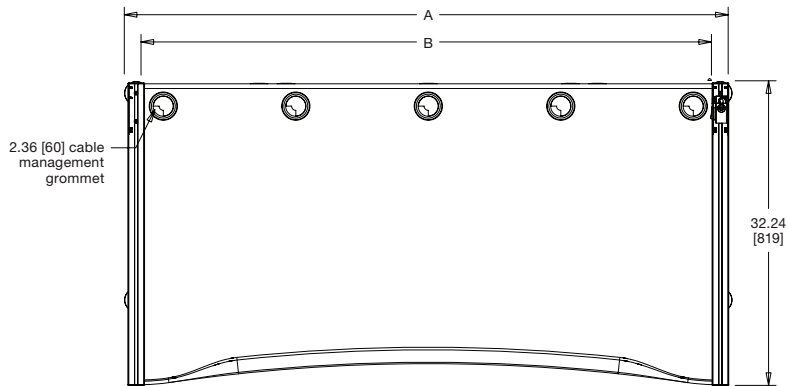
- Add-A-Bay™ - allows for economical expansion of desks, shall be Middle Atlantic Products part # LD-XX30\*RA (XX = 48", 64")
  - Side Panels - available in both standard height and full-height, sold in pairs, shall be Middle Atlantic Products part # LD-SP30\* (standard), LD-PSP30\* (full-height)
  - CPU Mounts - available as an articulating under-desk mount or as an isolation rack with gasketed doors, sound isolation materials, fan and work surface, shall be Middle Atlantic Products part # D-CPU (articulating), LD-QCPUT-\* (isolation rack)
  - Keyboard Shelf - fully articulating, includes wrist rest, shall be Middle Atlantic Products part # LD-KB\*
  - Pencil tray\*\* - mounts under desk for convenient storage, shall be Middle Atlantic Products part # D-PTX (X = 15", 22")
  - Power strip - Mounts inside cable management cabinet, shall be Middle Atlantic Products part # PD-815SC (with surge protection) / PD-815SC-NS (without surge protection)
  - Gangable side rack with smoked plexi front door and 12 rackspaces of 11-gauge steel rackrail with tapped 10-32 mounting holes shall be Middle Atlantic Products model # LD-1230\*.
  - Connecting wedges available with cable management in 450 and 900 or without cable management (450 only) and shall be Middle Atlantic Products model # LDWX\*30 /LDWTX\*30 (refer to chart)
- \* Suffix part number with desired color (DC = Dark Cherry, HM = Honey Maple, PS = Pepperstone)
- \*\* D-PT15 / D-PT22 can be used with keyboard shelf, but shelf must be lowered in order to open and close pencil tray. 1 per side or center of desk. D-PT22 does not fit on 48" desk (LD-4830)

# LD Series Monitoring/Command Desk

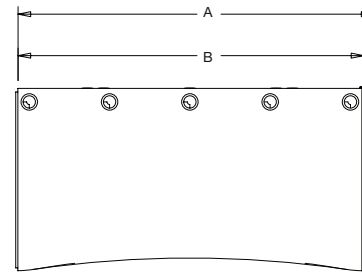
## basic dimensions

all dimensions in inches unless otherwise noted [all dimensions in brackets are in millimeters]

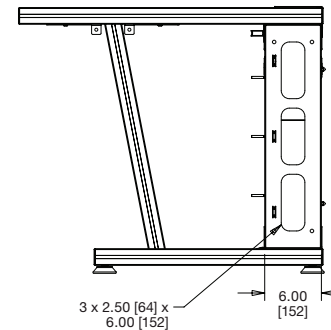
LD-xx30\_\_\*  
top view



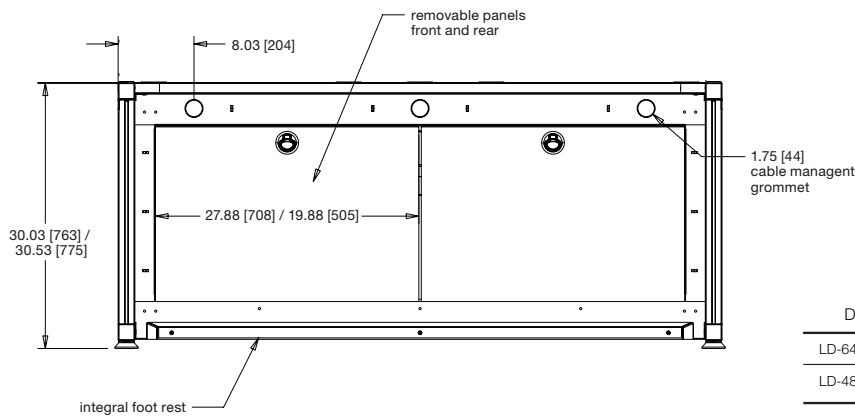
LD-xx30\_\_\*-RA  
top view



side view



front view



Desk	A Overall Width	B Inside Width	Description
LD-6430xx__*	63.91 [1623]	60.37 [1533]	64" LCD Monitoring Desk
LD-4830xx__*	47.91 [1217]	44.37 [1127]	48" LCD Monitoring Desk

\* When ordering suffix part number with desired color (DC = Dark Cherry, HM = Honey Maple, PS = Pepperstone)

what **great systems** are built on.™

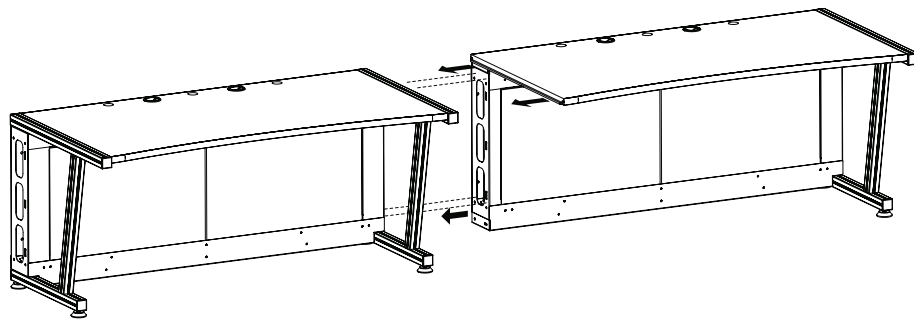
A brand of **legrand**

**Middle Atlantic Products**  
middleatlantic.com | middleatlantic.ca

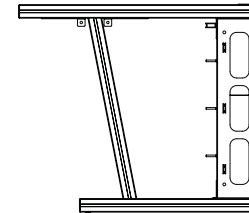
# LD Series Monitoring/Command Desk

## basic dimensions

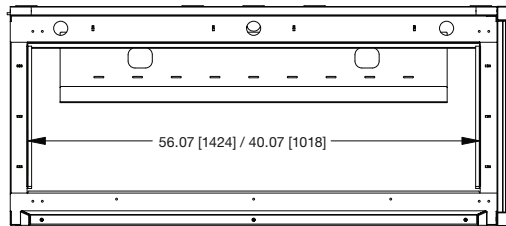
all dimensions in inches unless otherwise noted [all dimensions in brackets are in millimeters]



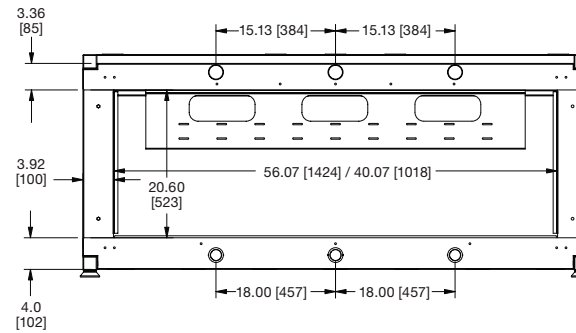
side view



front view



rear view  
with panels removed



Desk	A Overall Width	B Inside Width	Description
LD6430xx_* -RA	62.14 [1578]	60.37 [1533]	64" Add-A-Bay™ Right LCD Monitoring Desk
LD4830XX_* -RA	46.14 [1172]	44.37 [1127]	48" Add-A-Bay™ Right LCD Monitoring Desk

\* When ordering suffix part number with desired color (LC=Light Charcoal, MP=Maple, PS=Pepperstone)

what **great systems** are built on.™

A brand of **legrand**

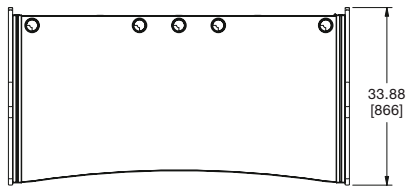
**Middle Atlantic Products**  
middleatlantic.com | middleatlantic.ca

# LD Series Monitoring/Command Desk

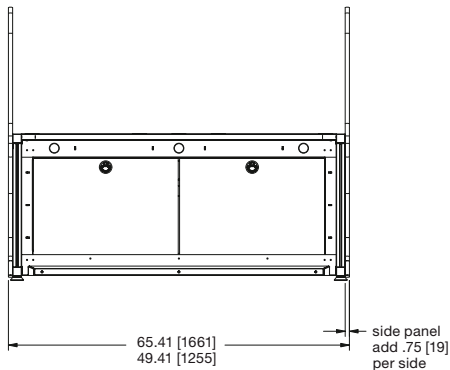
## basic dimensions

all dimensions in inches unless otherwise noted [all dimensions in brackets are in millimeters]

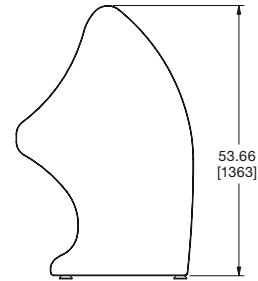
top view



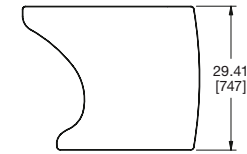
front view



LD-PSP30-\_\_\*  
side view (full height)



LD-SP30-\_\_\*  
side view (standard)



\* When ordering suffix part number with desired color (LC=Light Charcoal, MP=Maple)

what **great systems** are built on.™

A brand of **legrand**

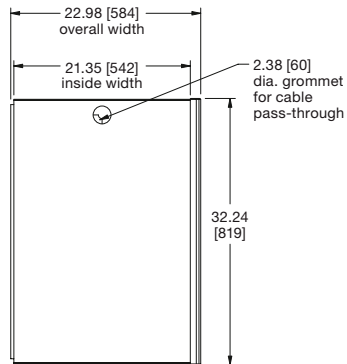
**Middle Atlantic Products**  
middleatlantic.com | middleatlantic.ca

# LD Series Monitoring/Command Desk

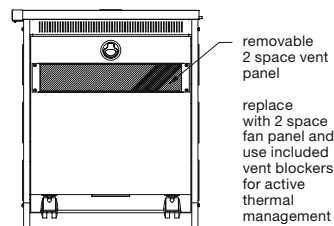
## basic dimensions

all dimensions in inches unless otherwise noted [all dimensions in brackets are in millimeters]

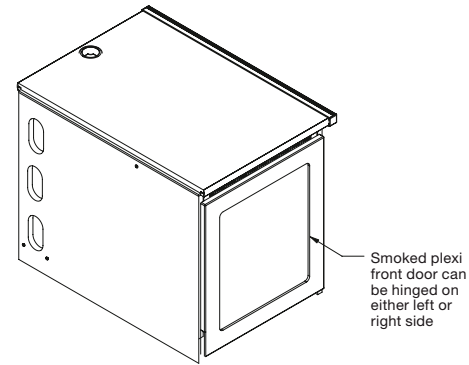
top view



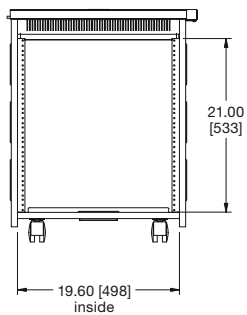
rear view



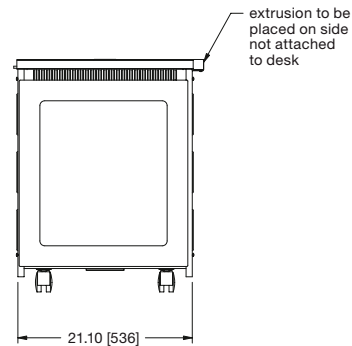
LD-1230\_\_\* side rack gangs to desk w/ included hardware and provides 12 rackspaces for equipment mounting behind an attractive smoked plexi front door. In order to join LD-1230\_\_\* side rack to LD wedges, the LD-WK joiner kit is required.



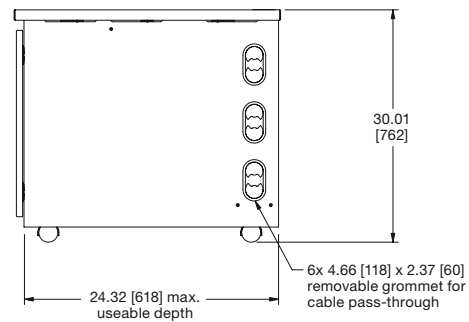
front view  
with door removed



front view



side view



what **great systems** are built on.™

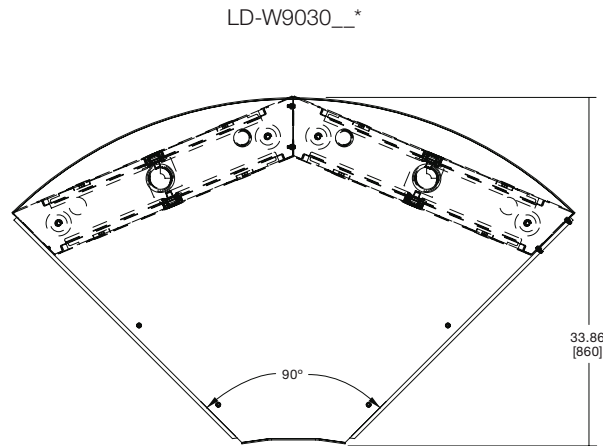
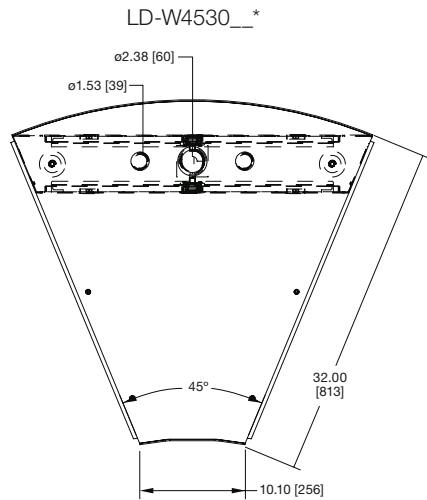
A brand of **legrand**

**Middle Atlantic Products**  
middleatlantic.com | middleatlantic.ca

# LD Series Monitoring/Command Desk

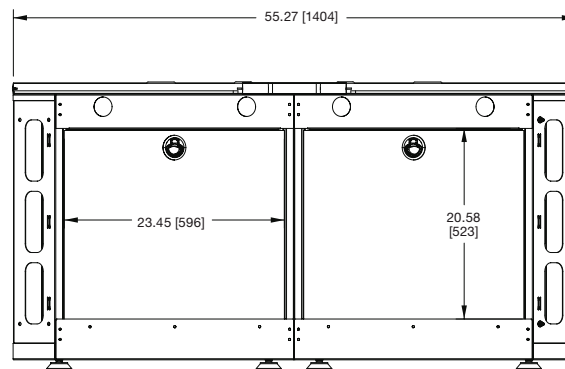
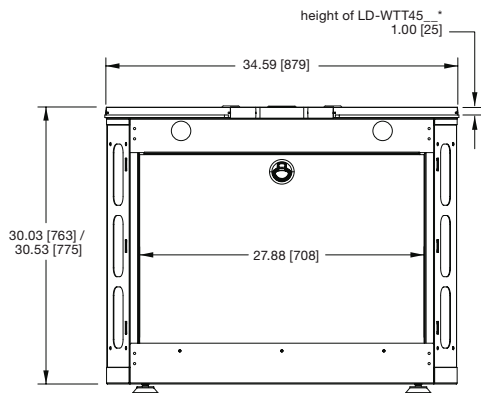
## basic dimensions

all dimensions in inches unless otherwise noted [all dimensions in brackets are in millimeters]



With Cable Management Cabinet	Without Cable Management Cabinet	Angle
LD-W4530__*	LD-WTT4530__*	45°
LD-W9030__*	-	90°

\* When ordering suffix part number with desired color (DC = Dark Cherry, HM = Honey Maple, PS = Pepperstone)



what **great systems** are built on.™

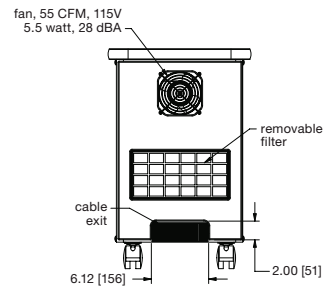
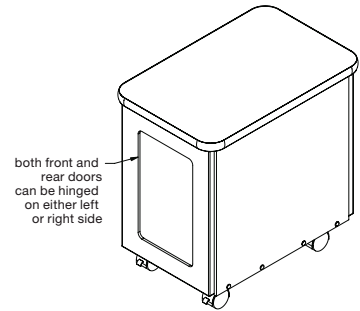
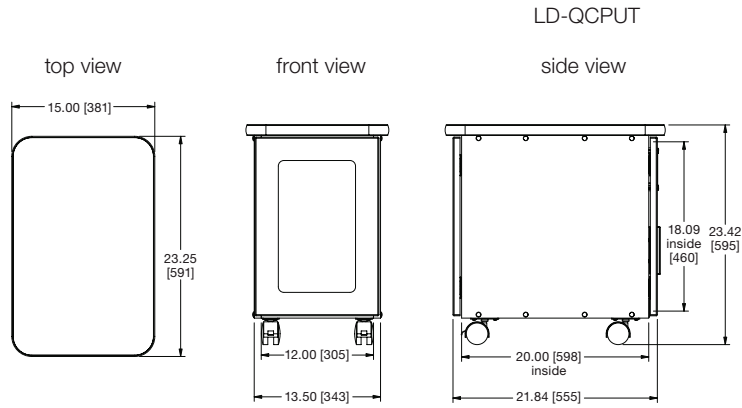
A brand of **legrand**

**Middle Atlantic Products**  
middleatlantic.com | middleatlantic.ca

# LD Series Monitoring/Command Desk

## basic dimensions

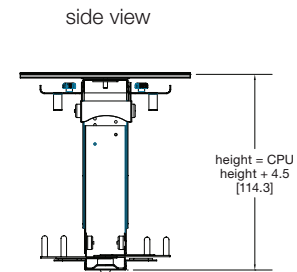
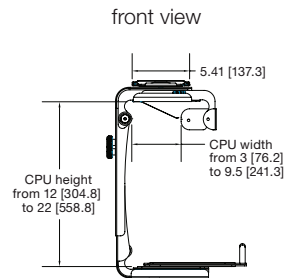
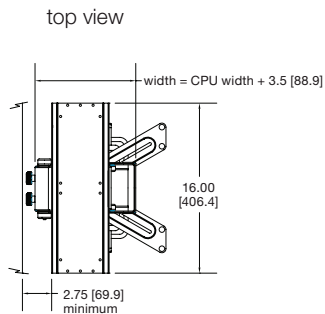
all dimensions in inches unless otherwise noted [all dimensions in brackets are in millimeters]



Part #	Description
LD-QCPU_*	Under-desk CPU isolation rack
LD-CPU	Articulating under-desk CPU mount

Gasketed plexi front doors and gasketed laminated rear doors control noise and open 95° on concealed hinges. The rear door features a built-in ultra low-noise fan for cooling plus removable filter kit, while a brush grommet at the bottom allows cable exit while maintaining a seal for noise and air flow

\* When ordering suffix part number with desired color (DC = Dark Cherry, HM = Honey Maple, PS = Pepperstone)



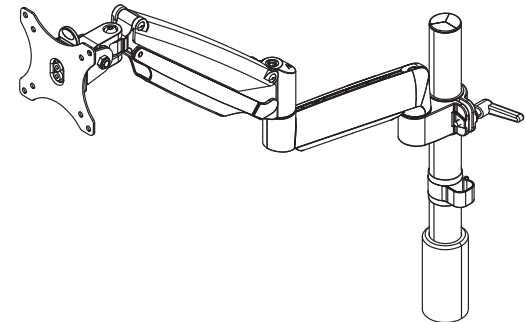
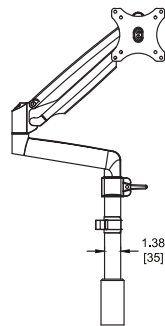
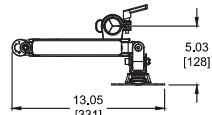
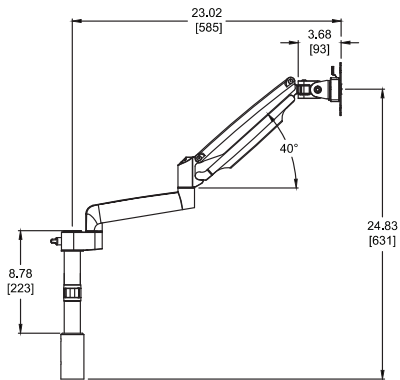
what **great systems** are built on.™

A brand of **legrand**

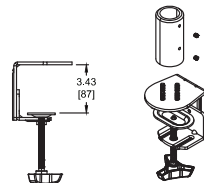
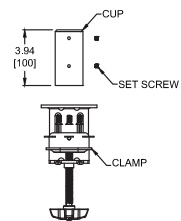
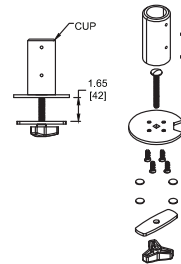
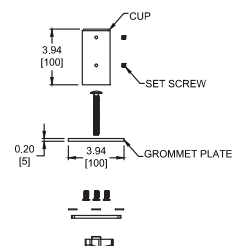
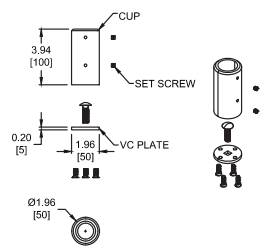
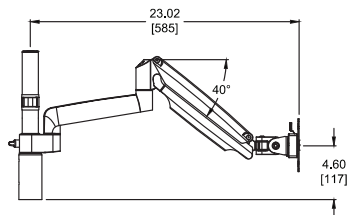
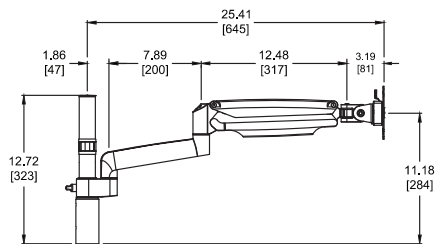
**Middle Atlantic Products**  
middleatlantic.com | middleatlantic.ca

# LD Series Monitoring/Command Desk

## basic dimensions



SCALE 1/4



NOTES:

1) CAPABILITIES:

VERTICAL RANGE: 8.78" [223]  
HORIZONTAL RANGE: 25.41" [645]

POLE HEIGHT: 11.81" [300]  
ROTATION: 360 DEGREES AT TWO JOINTS  
ROTATION: 180 DEGREES AT ONE JOINT  
ROTATION: 135 DEGREES AT ONE JOINT  
MONITOR TILT: 180 DEGREES

MONITOR COMPATIBILITY: VESA 75MM AND 100MM  
CABLE MANAGEMENT: UNDER ARM AND POLE  
WEIGHT CAPACITY (TOTAL) / MODEL NUMBER: 19.8 LBS [9 KG] / MM3-1X1BLK  
MONITOR WEIGHT RANGE (PER ARM) / 2.2 - 19.8 LBS [1-9 KG]

2) CLAMP MOUNT RANGE: 0 [0] to 3.43 [87]

3) GROMMET MOUNT RANGE: 0 [0] to 1.65 [42]  
HOLE SIZE RANGE: 0.4 [10] TO 1.0 [25]

4) ALL DIMENSIONS ARE IN THE FORMAT IN [MM]

what great systems are built on.™

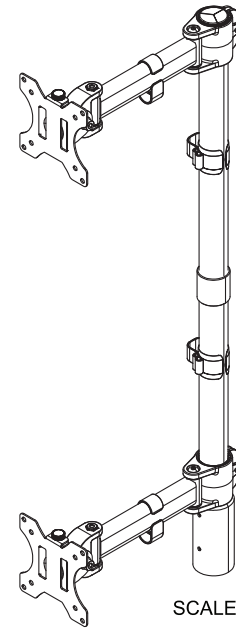
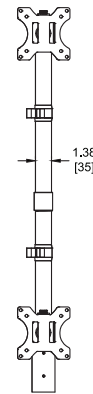
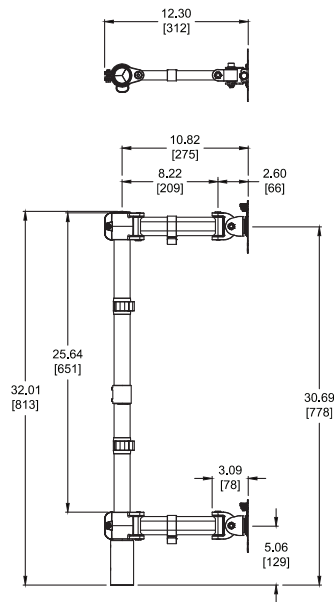
A brand of **legrand**

**MA**  
Middle Atlantic Products  
middleatlantic.com | middleatlantic.ca



# LD Series Monitoring/Command Desk

## basic dimensions



SCALE 1/4

NOTES:

1) CAPABILITIES:

VERTICAL RANGE: 25.64" [651]  
 HORIZONTAL RANGE: 10.82" [275]

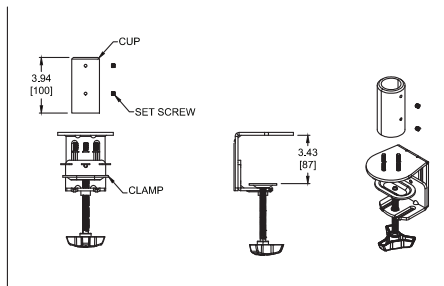
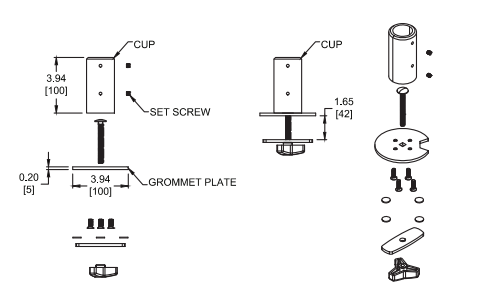
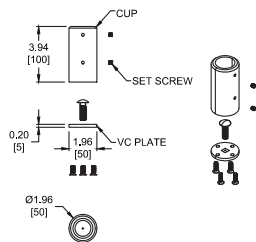
POLE LENGTH: 11.81" [300] (2 POLES JOINED WITH CONNECTOR)  
 ROTATION: 360 DEGREES AT TWO JOINTS  
 ROTATION: 180 DEGREES AT TWO JOINTS  
 ROTATION: 135 DEGREES AT TWO JOINTS  
 MONITOR TILT: 180 DEGREES

MONITOR COMPATIBILITY: VESA 75MM AND 100MM  
 CABLE MANAGEMENT: UNDER ARM AND POLE  
 WEIGHT CAPACITY (TOTAL) / MODEL NUMBER: 35.2 LBS [16 KG] / MM3-1X2BLK

2) CLAMP MOUNT RANGE: 0 [0] to 3.43 [87]

3) GROMMET MOUNT RANGE: 0 [0] to 1.65 [42]  
 HOLE SIZE RANGE: 0.4 [10] to 1.0 [25]

4) ALL DIMENSIONS ARE IN THE FORMAT IN [MM]



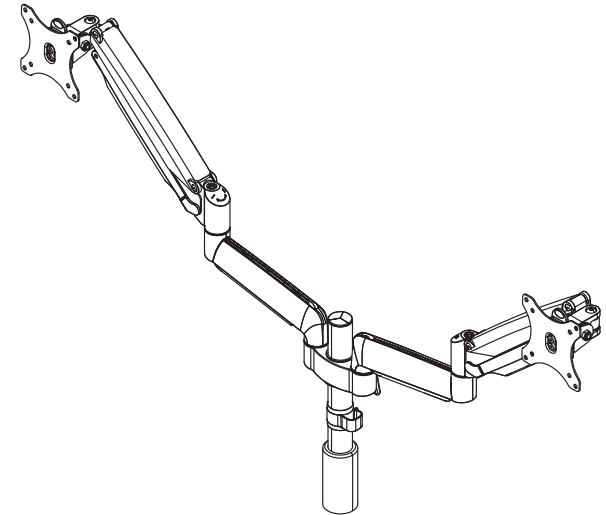
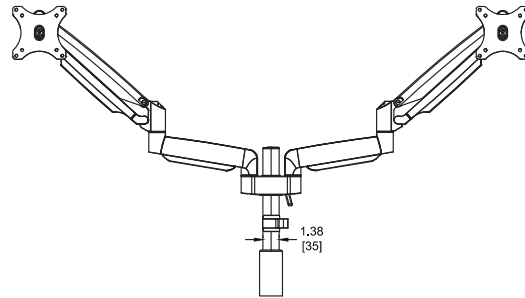
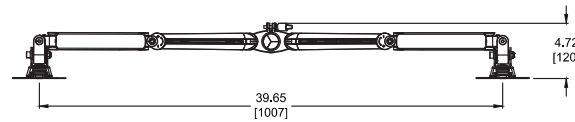
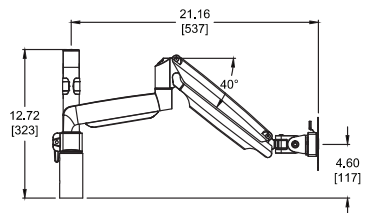
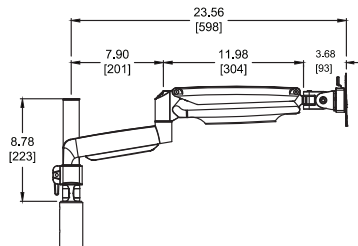
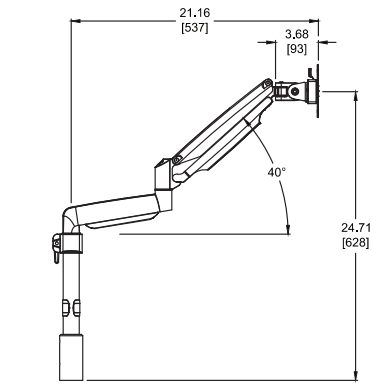
what **great systems** are built on.™

A brand of **legrand**

**MA**  
**Middle Atlantic Products**  
 middleatlantic.com | middleatlantic.ca

# LD Series Monitoring/Command Desk

## basic dimensions



SCALE 1/4

NOTES:

1) CAPABILITIES:

VERTICAL RANGE: 8.78" [223]  
HORIZONTAL RANGE: 23.56" [598]

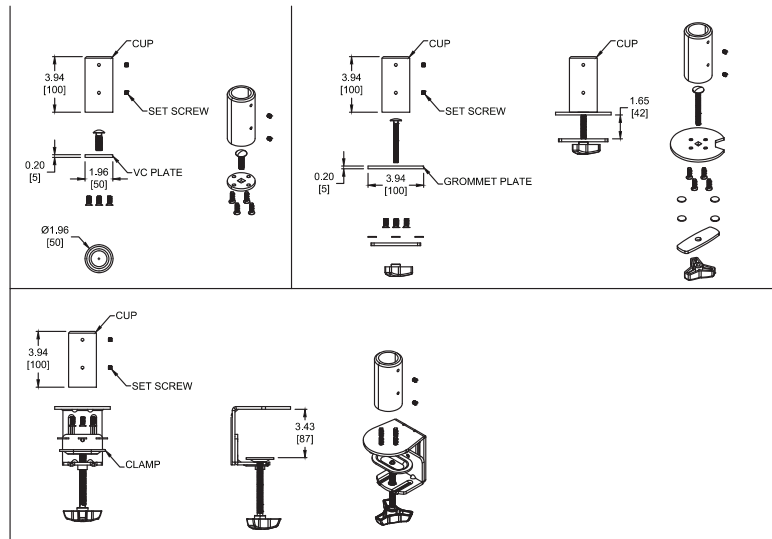
POLE LENGTH 11.81" [300]  
ROTATION: 360 DEGREES AT THREE JOINTS  
ROTATION: 180 DEGREES AT TWO JOINTS  
ROTATION: 135 DEGREES AT TWO JOINTS  
MONITOR TILT: 180 DEGREES

MONITOR COMPATIBILITY: VESA 75MM AND 100MM  
CABLE MANAGEMENT: UNDER ARM AND POLE  
WEIGHT CAPACITY (TOTAL) / MODEL NUMBER: 39.6 LBS [18 KG] / MM3-2X1BLK  
MONITOR WEIGHT RANGE (PER ARM) / 2.2 - 19.8 LBS [1-9 KG]

2) CLAMP MOUNT RANGE: 0 [0] to 3.43 [87]

3) GROMMET MOUNT RANGE: 0 [0] to 1.65 [42]  
HOLE SIZE RANGE: 0.4 [10] to 1.0 [25]

4) ALL DIMENSIONS ARE IN THE FORMAT IN [MM]



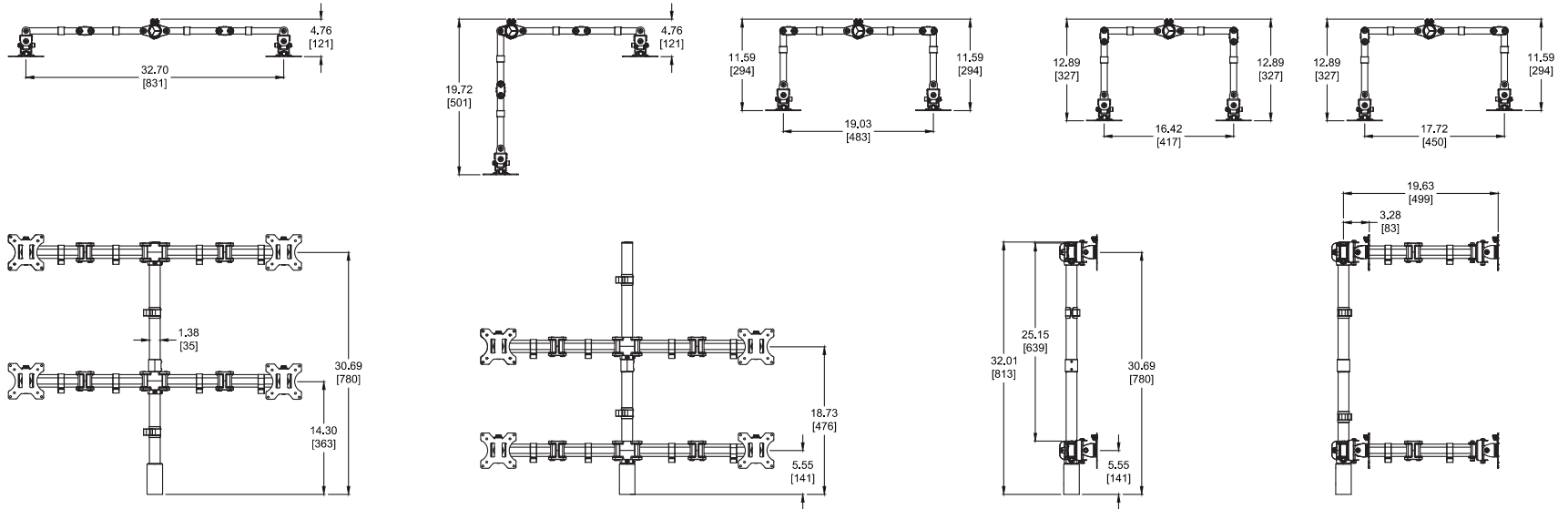
what **great systems** are built on.™

A brand of **legrand**

**MA**  
Middle Atlantic Products  
middleatlantic.com | middleatlantic.ca

# LD Series Monitoring/Command Desk

## basic dimensions



**NOTES:**

**1) CAPABILITIES:**

VERTICAL RANGE: 25.15" [639]  
 HORIZONTAL RANGE: 19.63" [499]

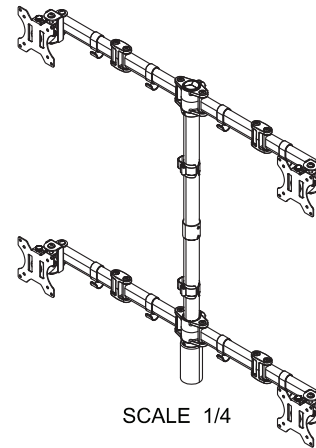
POLE LENGTH: 15.35" [390] (2 POLES JOINED WITH CONNECTOR)  
 ROTATION: 360 DEGREES AT TWO JOINTS  
 ROTATION: 180 DEGREES AT FOUR JOINTS  
 ROTATION: 135 DEGREES AT FOUR JOINTS  
 MONITOR TILT: 180 DEGREES

MONITOR COMPATIBILITY: VESA 75MM AND 100MM  
 CABLE MANAGEMENT: UNDER ARM AND POLE  
 WEIGHT CAPACITY (TOTAL) / MODEL NUMBER: 70.4LBS [32 KG] / MM3-2X2BLK

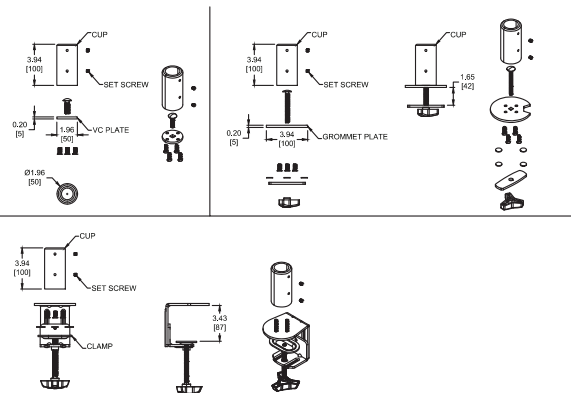
2) CLAMP MOUNT RANGE: 0 [0] to 3.43 [87]

3) GROMMET MOUNT RANGE: 0 [0] to 1.65 [42]  
 HOLE SIZE RANGE: 0.4 [10] TO 1.0 [25]

4) ALL DIMENSIONS ARE IN THE FORMAT IN [MM]

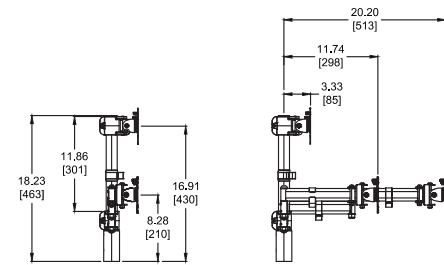
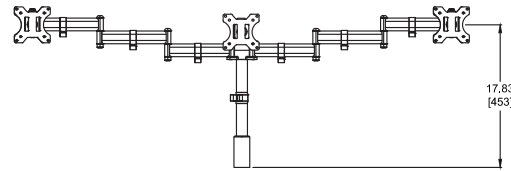
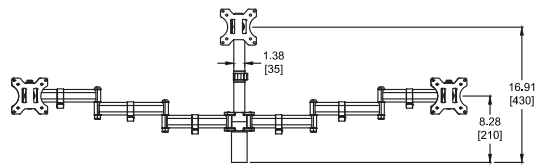
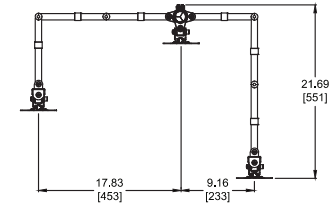
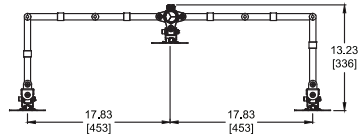
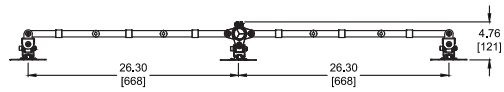


SCALE 1/4



# LD Series Monitoring/Command Desk

## basic dimensions



### NOTES:

#### 1) CAPABILITIES:

VERTICAL RANGE: 11.86° [301]  
HORIZONTAL RANGE: 20.20° [513]

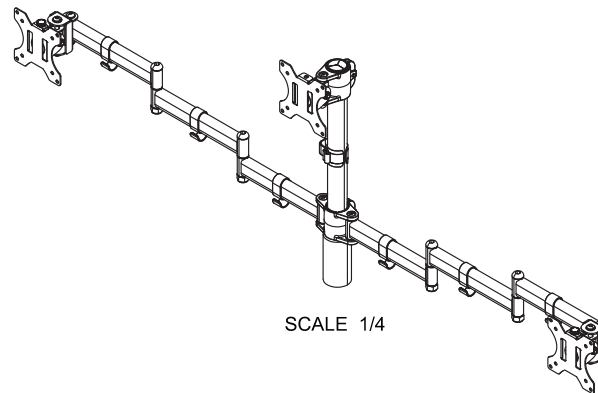
POLE LENGTH: 17.32" [440]  
ROTATION: 360 DEGREES AT TWO JOINTS  
ROTATION: 180 DEGREES AT THREE JOINTS  
ROTATION: 135 DEGREES AT TWO JOINTS  
MONITOR TILT: 180 DEGREES

MONITOR COMPATIBILITY: VESA 75MM AND 100MM  
CABLE MANAGEMENT: UNDER ARM AND POLE  
WEIGHT CAPACITY (TOTAL) / MODEL NUMBER: 52.8LBS [24 KG] / MM3-3X1BLK

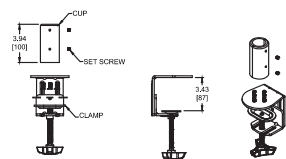
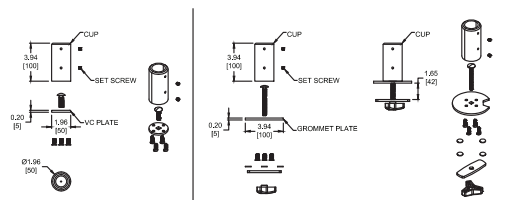
2) CLAMP MOUNT RANGE: 0 [0] to 3.43 [87]

3) GROMMET MOUNT RANGE: 0 [0] to 1.65 [42]  
HOLE SIZE RANGE: 0.4 [10] to 1.0 [25]

4) ALL DIMENSIONS ARE IN THE FORMAT IN [MM]



SCALE 1/4



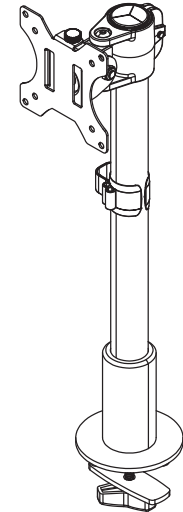
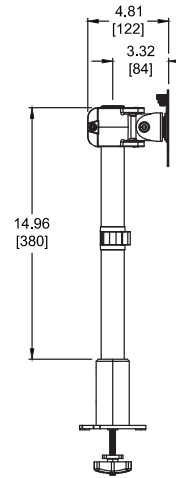
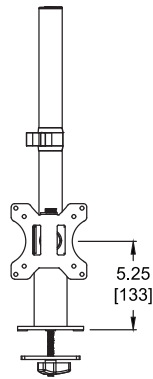
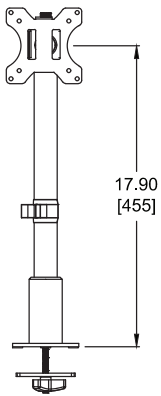
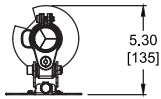
what great systems are built on.™

A brand of **legrand**

**MA**  
Middle Atlantic Products  
middleatlantic.com | middleatlantic.ca

# LD Series Monitoring/Command Desk

## basic dimensions



SCALE 1/4

NOTES:

1) CAPABILITIES:

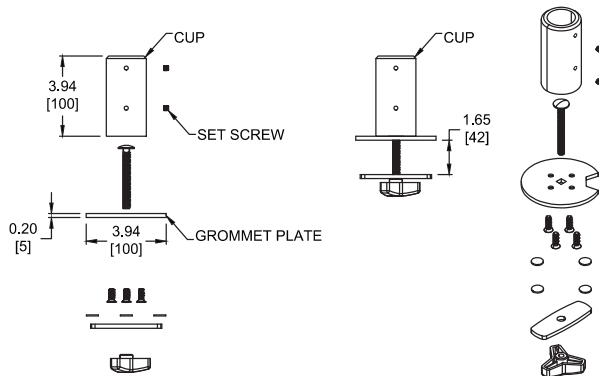
VERTICAL RANGE: 14.96" [380]  
HORIZONTAL RANGE: 3.32" [84]

POLE LENGTH: 17.32" [440]  
ROTATION: 360 DEGREES AT ONE JOINT  
ROTATION: 180 DEGREES AT ONE JOINT  
MONITOR TILT: 180 DEGREES

MONITOR COMPATIBILITY: VESA 75MM AND 100MM  
CABLE MANAGEMENT: POLE  
WEIGHT CAPACITY (TOTAL) / MODEL NUMBER: 17.6LBS [8 KG] / MMB-1X1-12BLK

2) GROMMET MOUNT RANGE: 0 [0] to 1.65 [42]  
HOLE SIZE RANGE: 0.4 [10] TO 1.0 [25]

3) ALL DIMENSIONS ARE IN THE FORMAT IN [MM]



what **great systems** are built on.™

A brand of **legrand**

**MA**  
Middle Atlantic Products  
middleatlantic.com | middleatlantic.ca