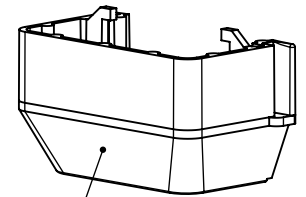
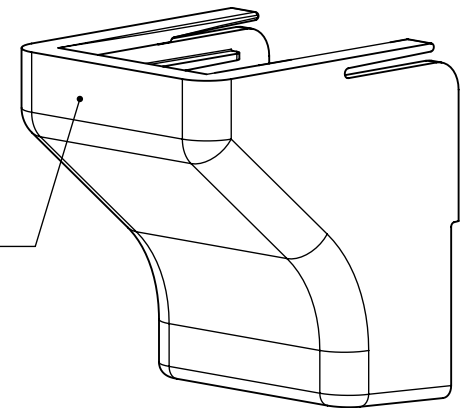


SECTION A-A

TSR3-50C  
CEILING DROP COVER



TSR1-12  
1 3/4" TO 1 1/4" REDUCER

**PART NO. DESCRIPTION**

TSR2\_\_-50

COLOR:  
I = IVORY  
FW = OFFICE WHITE  
W = WHITE  
(FOR OTHER COLORS  
CONTACT FACTORY)

NOTE:  
1. THIS ASSEMBLY MATES WITH  
(1) TSR2 RACEWAY

INVENTORS

**HellermannTyton®**

ALL PROPRIETARY RIGHTS IN THE SUBJECT MATTER SHOWN ON THIS DRAWING ARE EXCLUSIVE PROPERTY OF HELLERMANNTYTON

name	date	city, state

REVISION

level	<b>02</b>
by	PLN
date	01/14/03
ECN #	003575
part level	-

DIMENSIONS

.xxxx	= ±.0005
.xxx	= ±.005
.xx	= ±.01
.x	= ±.03
∠	= ±0.5°
unless otherwise specified	
units	inches

PART

number	TSR2__-50	phase	PRODUCTION
name	TSR2-50 1 1/4" CEILING DROP		
material	PVC		

DRAWING

format	version	N	AH	CAD	SW	scale	3:4
computer file number	DT3026002CST_02		previous number	DT3026C002			
drawn	K.A.C.	checked	K.A.C.	approved			
date	10/30/91	date	03/21/03				
type	CUSTOMER			sheet 1 of 1			
number	<b>DT3026002CST</b>						