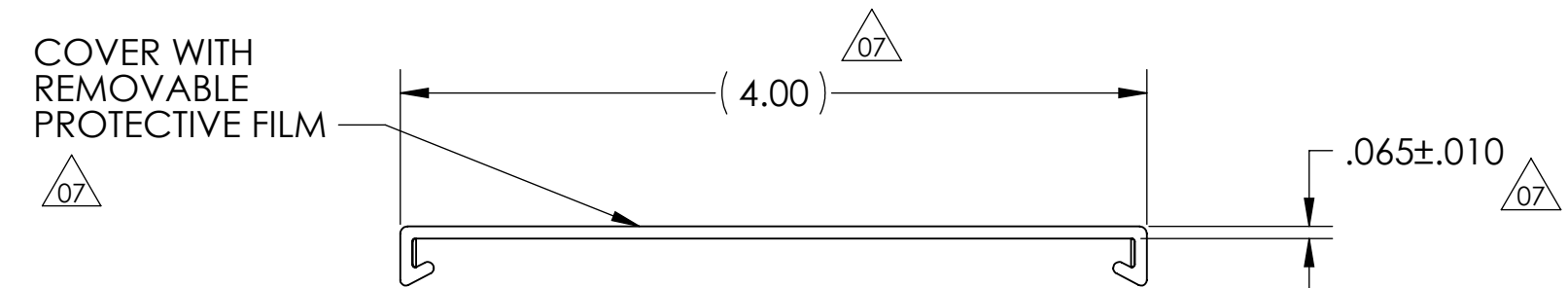
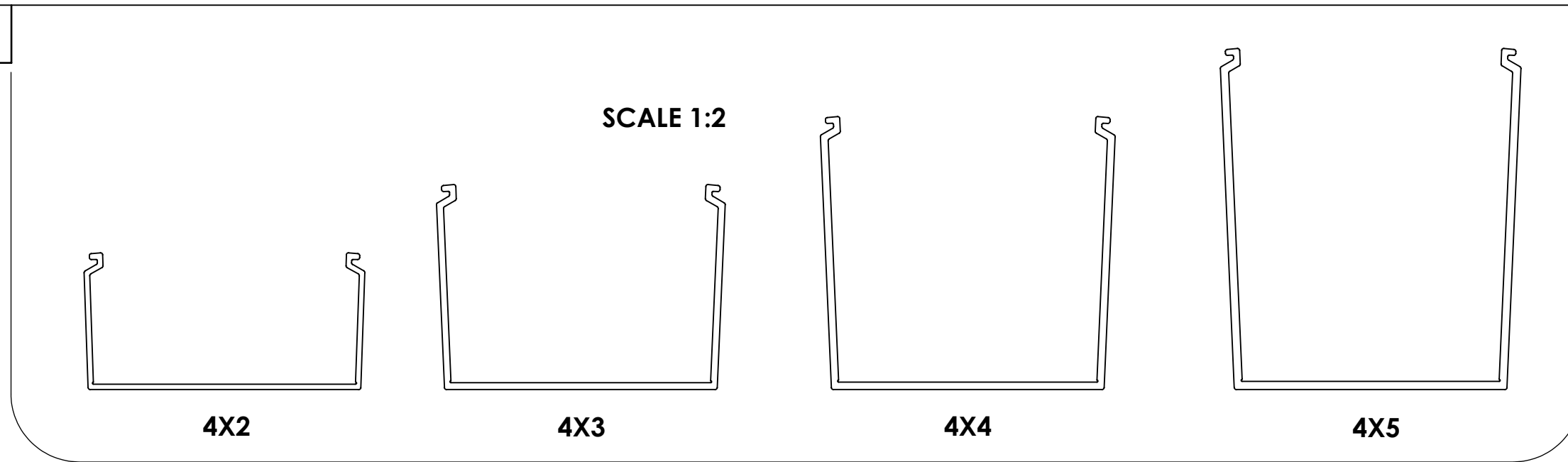
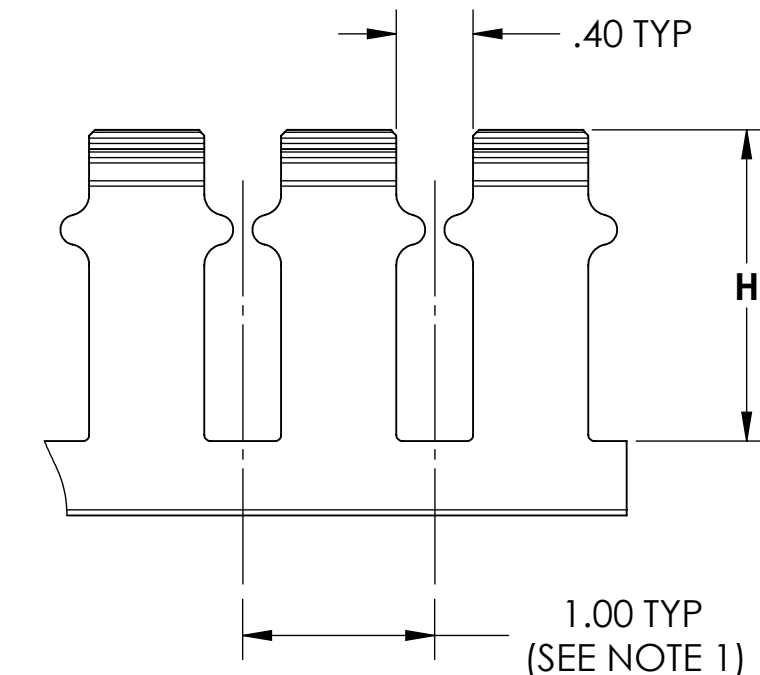


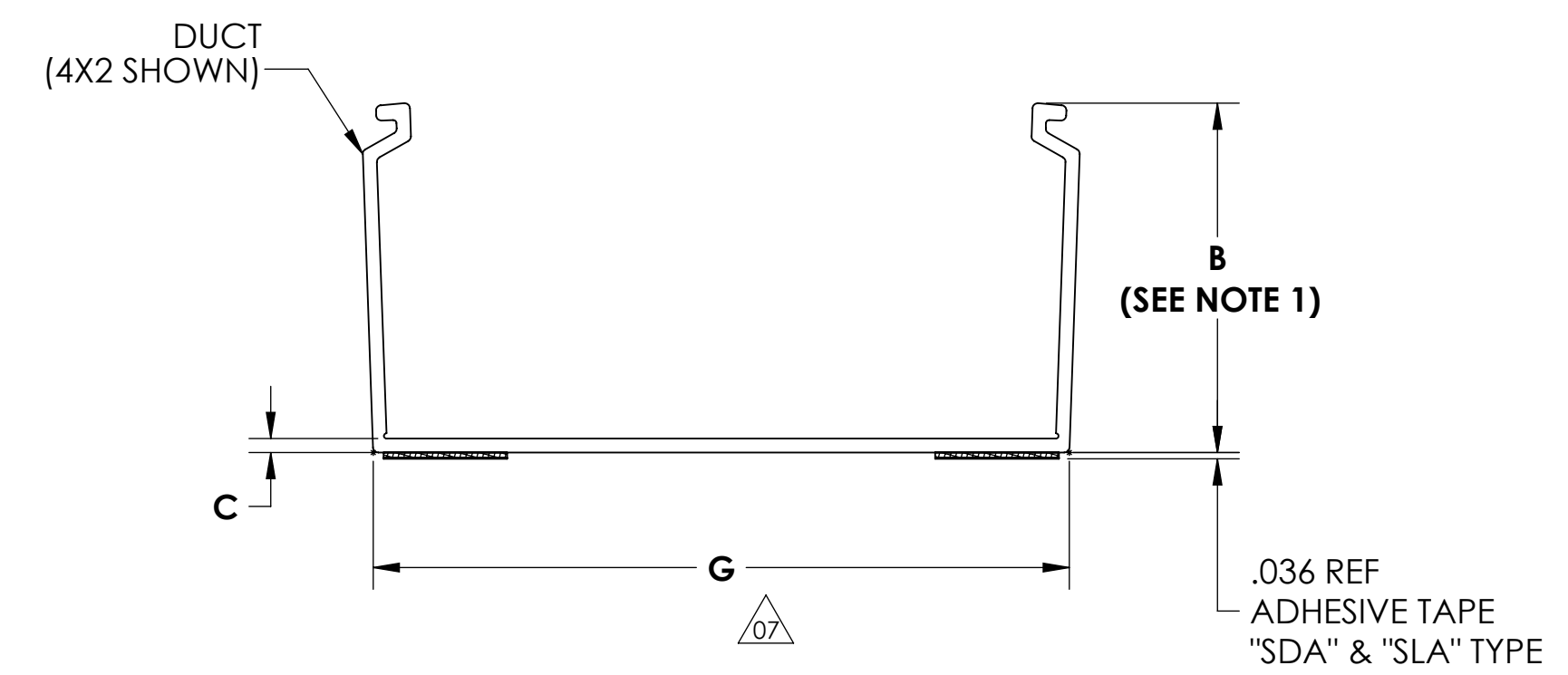
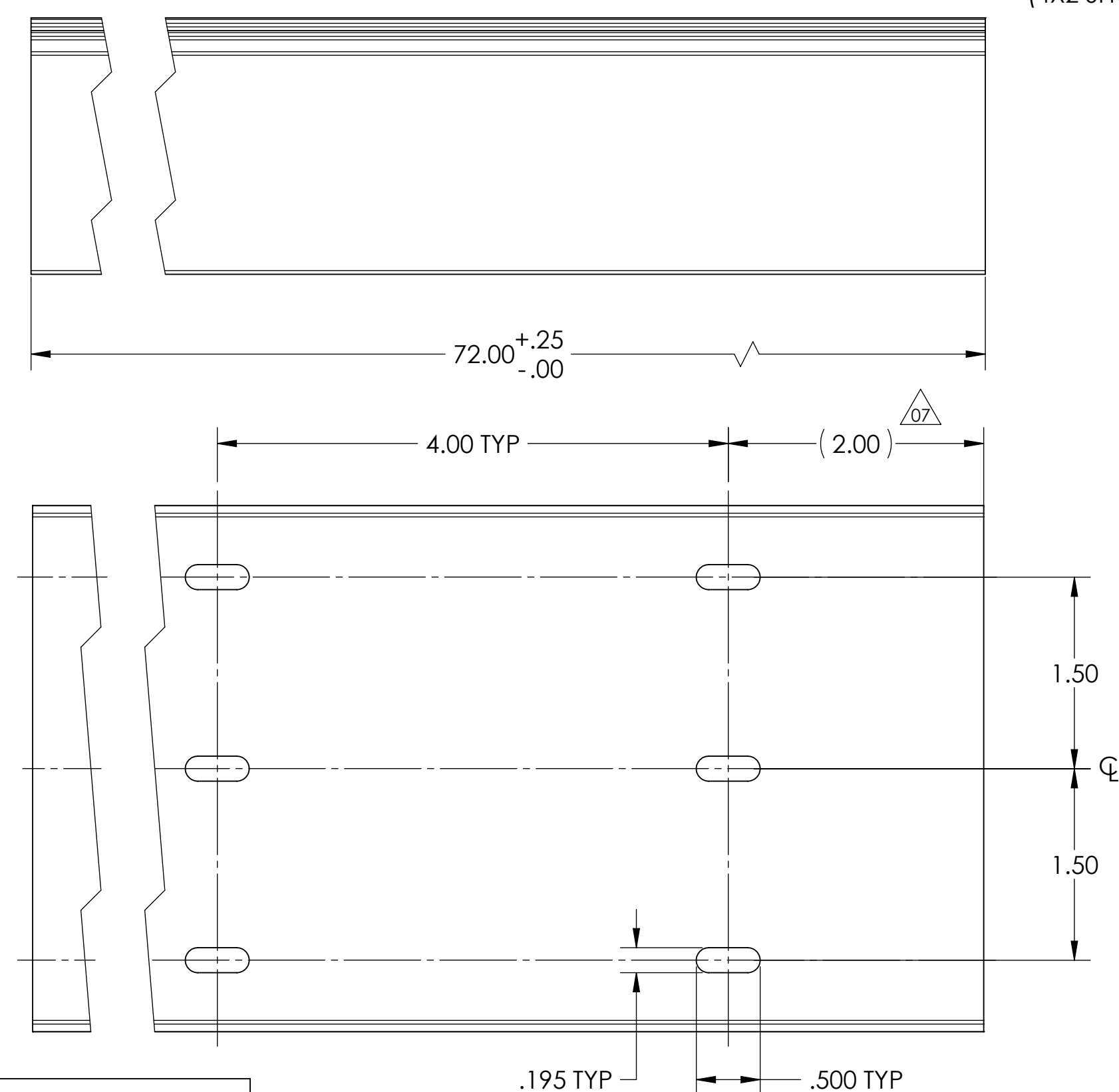
Revision level		Revision Record	Changed	Date	Approved	Date
Drawing	Part					
07	-	SEE ECN# 100016	MHT	01/09/2012	MHT	02/06/2012



SLOTTED WALL DUCT
TYPE "SL4X2" "SL4X3" "SL4X4" "SL4X5"



SOLID WALL DUCT
TYPE "SD"



50% WIRE FILL CAPACITY
WIRE O.D.

DUCT SIZE (WxH)	DUCT AREA (Sq. In.)	TWISTED PAIR 24 AWG UNSHIELDED								
		12AWG	14AWG	16AWG	18AWG	22AWG				
		4 Pr. Cat 5e	4 Pr. Cat 6	4 Pr. Cat 6a						
4X2	7.288	.158	.165	.139	.125	.113	.065	.217	.240	.354
4X3	10.932	186	171	240	297	364	1099	99	81	37
4X4	14.619	279	256	360	446	545	1648	148	121	56
4X5	18.266	373	342	482	596	729	2204	198	162	74

TYPE NUMBER	DESCRIPTION	MOUNTING METHOD	B (SEE NOTE 1)	C	G	H
TC4	COVER	-	-	-	-	-
SD4X2	SOLID DUCT	SCREW	2.008 +.025/-0.020	.080 +/--.005	4.000 +/--.025	-
SD4X3	"	"	3.009 +.035/-0.020	.100 +/--.007	4.000 +/--.029	-
SD4X4	"	"	4.008 +.045/-0.020	.110 +/--.008	4.000 +/--.031	-
SD4X5	"	"	5.007 +.055/-0.020	.120 +/--.009	4.000 +/--.033	-
SDA4X2	SOLID DUCT W/ADHES.	ADHESIVE TAPE	2.008 +.025/-0.020	.080 +/--.005	4.000 +/--.025	-
SDA4X3	"	"	3.009 +.035/-0.020	.100 +/--.007	4.000 +/--.029	-
SDA4X4	"	"	4.008 +.045/-0.020	.110 +/--.008	4.000 +/--.031	-
SDA4X5	"	"	5.007 +.055/-0.020	.120 +/--.009	4.000 +/--.033	-
SL4X2	SLOTTED DUCT	SCREW	2.008 +.025/-0.020	.080 +/--.005	4.000 +/--.025	1.620 ±.015
SL4X3	"	"	3.009 +.035/-0.020	.100 +/--.007	4.000 +/--.029	2.600 ±.015
SL4X4	"	"	4.008 +.045/-0.020	.110 +/--.008	4.000 +/--.031	3.600 ±.015
SL4X5	"	"	5.007 +.055/-0.020	.120 +/--.009	4.000 +/--.033	4.600 ±.015
SLA4X2	SLOTTED DUCT W/ADHES.	ADHESIVE TAPE	2.008 +.025/-0.020	.080 +/--.005	4.000 +/--.025	1.620 ±.015
SLA4X3	"	"	3.009 +.035/-0.020	.100 +/--.007	4.000 +/--.029	2.600 ±.015
SLA4X4	"	"	4.008 +.045/-0.020	.110 +/--.008	4.000 +/--.031	3.600 ±.015
SLA4X5	"	"	5.007 +.055/-0.020	.120 +/--.009	4.000 +/--.033	4.600 ±.015

Notes
1) BOTH SIDES ALIKE WITHIN .015



Material
PVC
AVAILABLE IN WHITE,
GRAY, BLACK, OR BLUE
CONSULT FACTORY FOR
OTHER COLORS
RoHS COMPLIANT

Units inches
Dimension without tolerances
details to:
.xxxx = ±.0005
.xxx = ±.005
.xx = ±.01
.x = ±.03
None = ±.06
∠ = ±0.5°

The copyright of this drawing is reserved by HellermannTyton. It is issued on condition that it is not reproduced, copied, or disclosed to a third party, either wholly or in part, without the consent of HellermannTyton.

Drawn: KAC, 06/22/2009, Article/Type-No: SEE CHART, Scale: 1:1
 Approved: _____, Title: 4" WIDE SD, SDA, SL, SLA DUCT WITH COVER, Project Number: PRP07-021
 Drawing-No: _____, Pre-Production: Phase _____, Format: C, Sheet: 1/1
HellermannTyton
 North America
 Email: corp@htamericas.com
 Web: www.hellermann.tyton.com
DT07-021-402CST