

## Plastic Universal Shelf Bracket

### APPLICATION

The Leviton Plastic Universal Bracket allows for integration of active gear into any of Leviton 14", 21", 28", or 42" Structured Media™ Center. The bracket provides convenient means to mount a modem, router, storage, or other active gear within the enclosure. The bracket kit includes a 30-inch roll of VELCRO® Brand hook and loop, along with two saddle ties, providing flexible options to secure active gear.



### SPECIFICATION

Plastic Universal Shelf Bracket shall be molded of polycarbonate plastic, rated UL 94 V-2. The shelf bracket design shall include multiple tie-down points to maximize device placement options. The bracket shall mount into any Leviton 14", 21", 28", or 42" Structured Media™ Center. The bracket shall provide clearance for cables to pass behind the bracket vertically. Two brackets shall fit side-by-side within an enclosure. Two saddle ties and 30 inches of VELCRO Brand hook and loop shall be included with each bracket.

### FEATURES

- Allows router or other products to be mounted inside any Leviton Structured Media Center, and accommodates the widest variety of active gear
- Compatible with plastic and metal Leviton Structured Media Centers
- Installed shelf bracket provides clearance for cables to pass behind bracket
- One-piece design provides a sturdy mounting option that's easy to install
- Spring loaded legs support the weight of typical networking equipment
- Vertical and horizontal slots on the bracket accommodate VELCRO® Brand strips (included), ensuring vertical and horizontal stability

### DESIGN CONSIDERATIONS

- Can mount two shelf brackets side by side to create a full-length shelf
- Can be installed in both Leviton plastic and metal Structured Media Centers

### STANDARDS COMPLIANCE

- RoHS

### PHYSICAL SPECIFICATIONS

Dimensions: See page two

Materials: Polycarbonate, white

### COUNTRY OF ORIGIN

USA

### WARRANTY INFORMATION

For a copy of Leviton product warranties, visit [www.leviton.com/warranty](http://www.leviton.com/warranty).

#### Leviton Network Solutions

2222 - 222nd St. SE  
Bothell, WA 98021-4416

tel 1-800-824-3005  
tel +1-425-486-2222  
[appeng@leviton.com](mailto:appeng@leviton.com)  
[www.leviton.com](http://www.leviton.com)

#### Asia / Pacific

T +1.631.812.6228  
E [infoasean@leviton.com](mailto:infoasean@leviton.com)

#### Europe

T +44.0.1592.772124  
E [customerserviceeu@leviton.com](mailto:customerserviceeu@leviton.com)

#### Canada

T +1.514.954.1840  
E [pcservice@leviton.com](mailto:pcservice@leviton.com)

#### Mexico

T +52.55.5082.1040  
E [lsamarketing@leviton.com](mailto:lsamarketing@leviton.com)

#### Caribbean

T +1.954.593.1896  
E [infocaribbean@leviton.com](mailto:infocaribbean@leviton.com)

#### Middle East & Africa

T +971.4.247.9800  
E [lmeinfo@leviton.com](mailto:lmeinfo@leviton.com)

#### China

T +852.2774.9876  
E [infochina@leviton.com](mailto:infochina@leviton.com)

#### South Korea

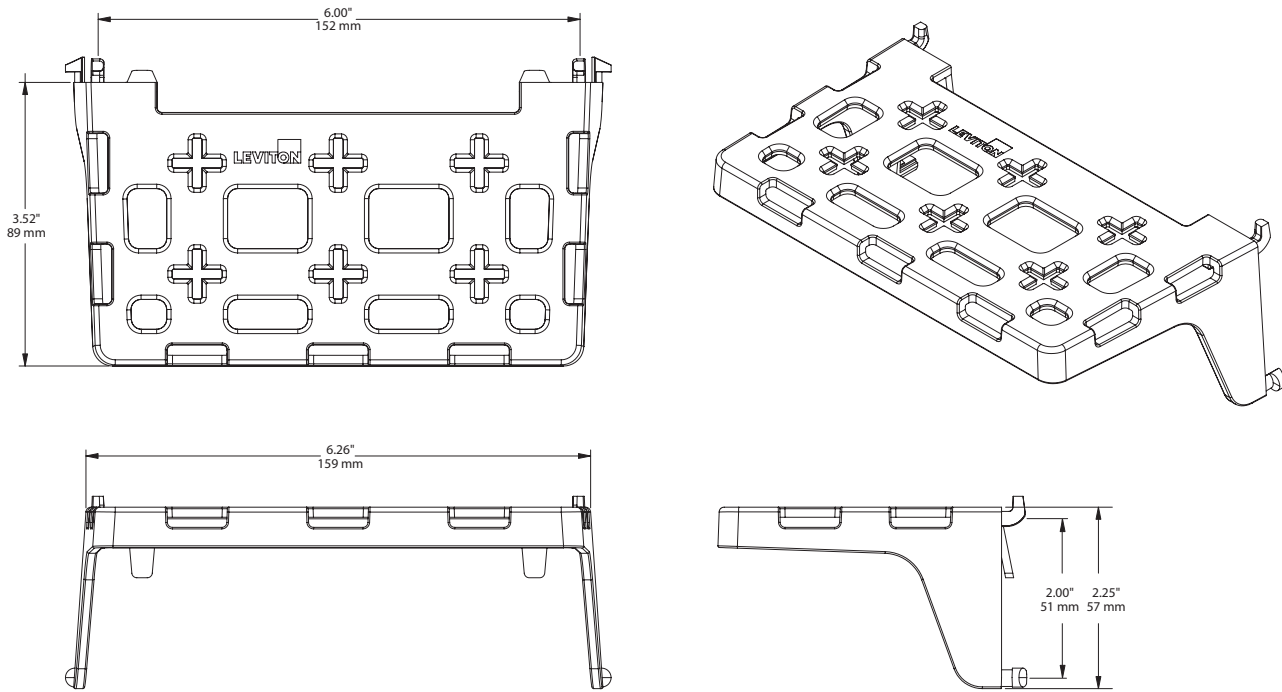
T +82.2.3273.9963  
E [infokorea@leviton.com](mailto:infokorea@leviton.com)

#### Colombia

T +57.1.743.6045  
E [infocolombia@leviton.com](mailto:infocolombia@leviton.com)

**ELECTRONIC FILES**

For CAD files, typical specs, or technical drawings (.DXF, .DWG), visit [www.leviton.com](http://www.leviton.com).



**49605-AUB**

**PART NUMBERS**

Description	Part No.
Plastic Universal Shelf Bracket, includes two saddle ties and 30-Inch VELCRO® Brand strips	49605-AUB

<b>Leviton Network Solutions</b> 2222 - 222nd St. SE Bothell, WA 98021-4416	<b>Asia / Pacific</b> T +1.631.812.6228 E infoasean@leviton.com	<b>Canada</b> T +1.514.954.1840 E pcservice@leviton.com	<b>Caribbean</b> T +1.954.593.1896 E infocaribbean@leviton.com	<b>China</b> T +852.2774.9876 E infochina@leviton.com	<b>Colombia</b> T +57.1.743.6045 E infocolombia@leviton.com
tel 1-800-824-3005 tel +1-425-486-2222 appeng@leviton.com www.leviton.com	<b>Europe</b> T +44.0.1592.772124 E customerserviceeu@leviton.com	<b>Mexico</b> T +52.55.5082.1040 E lsamarketing@leviton.com	<b>Middle East &amp; Africa</b> T +971.4.247.9800 E lmeinfo@leviton.com	<b>South Korea</b> T +82.2.3273.9963 E infokorea@leviton.com	