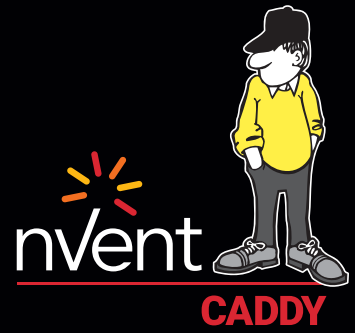


# nVent CADDY 512SA



## CONNECT AND PROTECT

### 512SA T-Grid Box Hanger



The nVent CADDY 512SA T-Grid Box Hanger is designed to answer the challenge of accommodating multiple electrical box depths and acoustical tile reveal options in industrial ceilings. The 512SA easily snaps into place, with tool-free installation saving time and increasing efficiency on the jobsite. For added flexibility, the 512SA can be adjusted with the push of a button – an important feature for overhead installation projects.

#### FEATURES

- Ready to use out of the box with no field assembly required
- Tool-free installation to electrical boxes, no hardware necessary
- Easy, snap-on t-grid clips with push-button adjustability
- Supports market-leading range of electrical box depths
- Easily accommodates multiple boxes with additional nVent CADDY 512X Electrical Box Mounting Clip (sold separately)
- Drop-wire attachment points at t-grid and electrical box clips

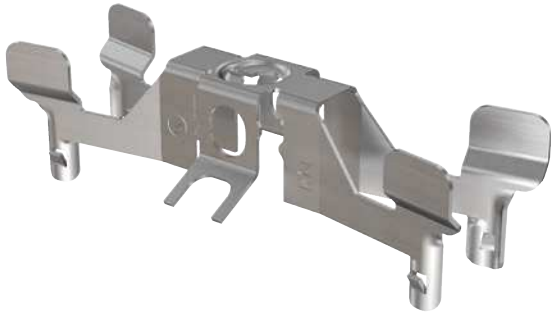
Material: Steel; Spring Steel  
Finish: Pregalvanized; nVent CADDY Armour



Part Number	T-Grid Span	Box Depth	Width	Ultimate Static Load	Complies With	Certifications
512SA12	12"	1 1/2", 2 1/8"	2 3/4"	50 lb	UL® 514A	cULus
512SA	24"	1 1/2", 2 1/8"	2 3/4"	50 lb	UL® 514A	cULus
512SAT	24"	2 1/8", 3 1/2"	2 3/4"	50 lb	UL® 514A	cULus
512SA48	48"	1 1/2", 2 1/8"	2 3/4"	20 lb	–	–

Not for fan support.

# 512X Electrical Box Mounting Clip



The nVent CADDY 512X Electrical Box Mounting Clip secures electrical boxes to an acoustical application regardless of box type, providing efficiency on the jobsite. The installation is intuitive and tool free, eliminating the challenge of maintaining loose hardware while still being secure and easy to mount. The 512X clips directly onto the nVent CADDY 512SA T-Grid Box Hanger for a complete electrical solution in an industrial ceiling.

## FEATURES

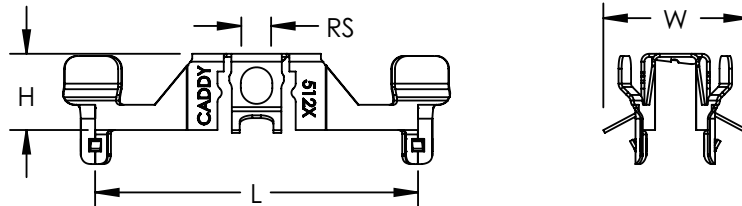
- Used to support additional boxes from 512SA T-Grid Box Hanger
- Tool-free installation to electrical boxes, no hardware necessary
- Drop-wire attachment point

Material: Spring Steel  
 Finish: nVent CADDY Armour  
 Complies With: UL® 514A



Part Number	Rod Size RS	Length L	Height H	Width W	Ultimate Static Load F
512X	1/4"	2 1/2"	0.6"	1.15"	50 lb

Not for fan support.



Our powerful portfolio of brands:

**CADDY ERICO HOFFMAN RAYCHEM SCHROFF TRACER**