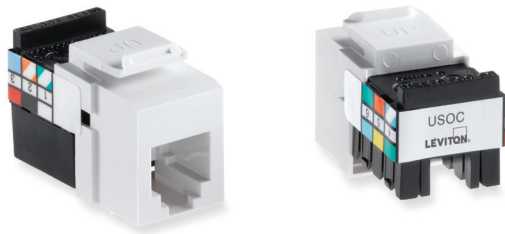


USOC and Voice-Grade QuickPort® Connectors

APPLICATION

USOC and Voice-Grade modular connectors snap into the entire Leviton QuickPort family of workstation housings. These include Multimedia Outlet System (with QuickPort module adapter), Decora® Inserts, patch panels, and patch blocks.



SPECIFICATION

The voice-grade connectors shall be individual snap-in style. The connectors shall comply with all National Electrical Codes and ANSI/TIA-1096-A; UL listed; and CSA Certified. All plastics used in construction of the connector bodies shall be fire retardant, with a UL flammability rating of 94V-0. Termination of all connectors shall be 110-type (IDC) with solder-plated phosphor bronze contacts. The connector shall provide a ledge directly adjacent to the 110-style termination, against which the wires can be directly terminated and cut in one action by the installer. The voice-grade connector shall fit all other installed telecommunications wallplates, outlets, and field-configurable patch panels and patch blocks.

FEATURES

- Exclusive cutting ledge combines termination and trim into one labor-saving step
- Individual port configurability allows specification flexibility
- Robust one-piece lead-frame design
- Narrow connector allows high port density in a small area
- Voice-Grade and USOC wire configuration labels

DESIGN CONSIDERATIONS

- Use in any QuickPort connector housing to support voice-grade UTP applications in surface-mount, flush-mount, or modular furniture environments
- Can be used in conjunction with other QuickPort snap-in modules for voice/data and video applications over UTP, coax, and fiber
- For port identification, use different colored connectors for each application or pre-printed Port Designation Labels

STANDARDS COMPLIANCE

- UL listed
- CSA certified
- NEC® Article 800
- ANSI/TIA-1096-A
- RoHS 2 (Directive 2011/65/EU)

PHYSICAL SPECIFICATIONS

Dimensions: See page two

Materials: Connector body is high-impact, fire-retardant plastic rated UL 94V-0. Connector 110 IDC contacts are solder-plated phosphor bronze.

COUNTRY OF ORIGIN

USA

WARRANTY INFORMATION

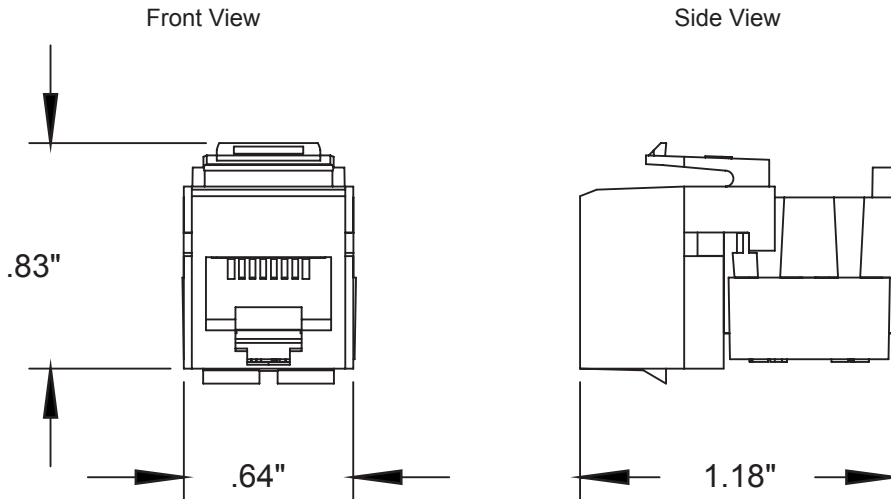
For a copy of Leviton product warranties, visit www.leviton.com/warranty.

41106-Rx6, 41108-Rx8

ELECTRONIC FILES

For CAD files, typical specs, or technical drawings (.DXF, .DWG), visit www.leviton.com.

41106-Rx6, 41108-Rx8



PART NUMBERS

Description

Part No.

USOC QuickPort® Snap-in Connector, 6-conductor	41106-Rx6
Voice-Grade QuickPort Snap-in Connector, 8-conductor	41108-Rx8

x = colors: Ivory (I), White (W), Grey (G), Black (E), Orange (O), Blue (L), Yellow (Y), Dark Red (R), Brown (B), Light Almond (T), Green (V), Purple (P), Crimson Red (C)

Leviton Network Solutions
 2222 - 222nd St. SE
 Bothell, WA 98021-4416

Asia / Pacific
 T +1.631.812.6228
 E infoasean@leviton.com

Canada
 T +1.514.954.1840
 E pcservice@leviton.com

Caribbean
 T +1.954.593.1896
 E infocaribbean@leviton.com

China
 T +852.2774.9876
 E infochina@leviton.com

Colombia
 T +57.1.743.6045
 E infocolombia@leviton.com

tel 1-800-824-3005
 tel +1-425-486-2222
 appeng@leviton.com
 www.leviton.com

Europe
 T +33.6.8869.1380
 E infoeurope@leviton.com

India / SAARC
 T +971.4.886.4722
 E infoindia@leviton.com

Mexico
 T +52.55.5082.1040
 E lsamarketing@leviton.com

Middle East & Africa
 T +971.4.886.4722
 E lmeinfo@leviton.com

South Korea
 T +82.2.3273.9963
 E infokorea@leviton.com