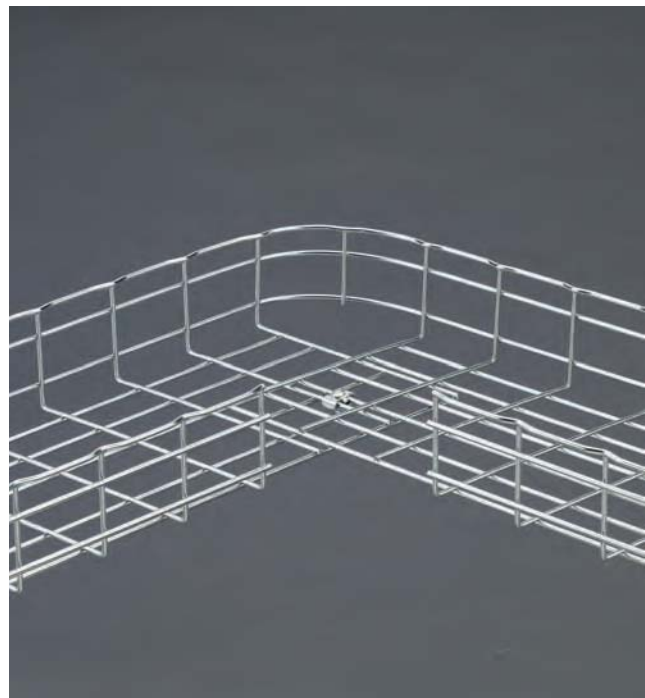
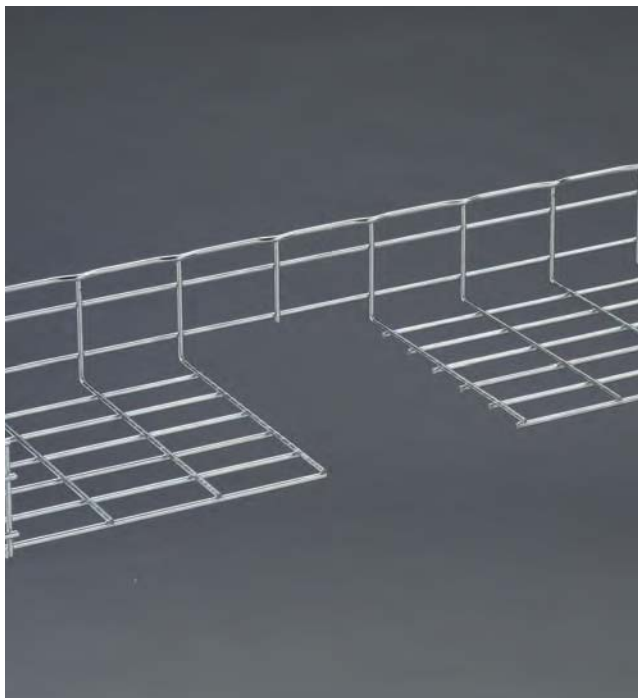


# FLEXTRAY™ - Installation



FLEXTRAY

## Flextray Cutters

- Exclusive, patented CLEANSHEAR™ cuts tray fast
- No sharp edges
- Designed specifically for cutting Flextray
- Safely cut and bend Flextray into any configuration

Part Number	Description	Qty./Box	Wt./Box	
			lbs.	kg
<b>CLEANSHEAR</b>	CLEANSHEAR Cutting Tool	1	4.3	1.95



Patented



**1** Face tray up. Slide cutter next to vertical wire and cut.



**2** Turn tray to the side with open side facing you. Repeat step 1 to cut wire.



**3** Finish cutting all side wires.



**4** Turn tray open-side down and cut wires from bottom of tray.

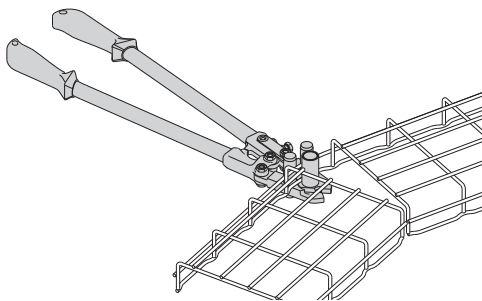


**5** Finish cutting by moving to other side of tray to cut remaining wires,

- CLEANSHEAR Bender has our exclusive bending attachment
- Makes bending larger trays easy
- Recommended for bending tray widths of 16" (400mm) or greater

## Flextray Bender

Part Number	Description	Qty./Box	Wt./Box	
			lbs.	kg
<b>CLEANSHEAR BEND</b>	CLEANSHEAR Cutting Tool With Bender Attachment	1	5.4	2.45



Patented

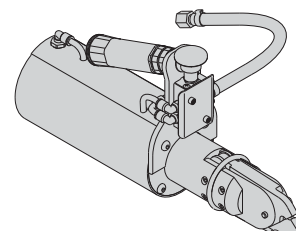


## Airshear Cutter

- Fastest wire mesh cutter available
- 57% time savings over regular CLEANSHEAR
- Airshear is available when you have a large project to install. Call us for details.

Part Number	Description	Qty./Box	Wt./Box	
			lbs.	kg
<b>AIRSHEAR</b>	Pneumatic CLEANSHEAR Cutting Tool	1	9.0	4.08

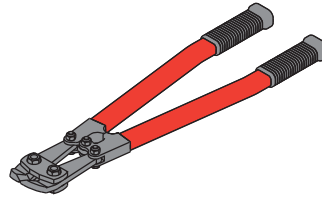
Patented



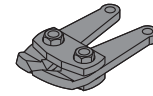
# FLEXTRAY™ - Installation

## Angular Bolt Cutter

Part Number	Description	Qty./Box	Wt./Box	
			lbs.	kg
WB30BC	Bolt Cutter	1	6.8	3.1
WB30RB	Replacement Blade	1	1.3	0.6



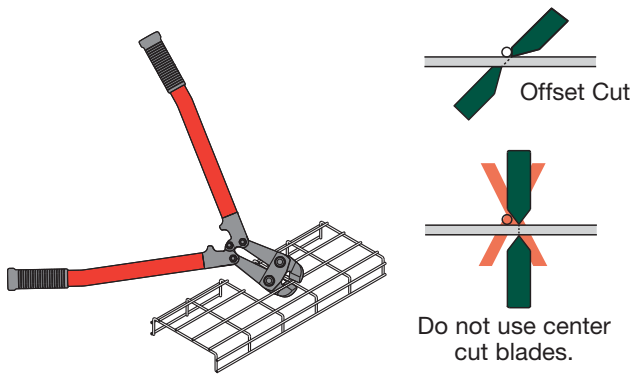
**WB30BC**  
Angular Bolt Cutter



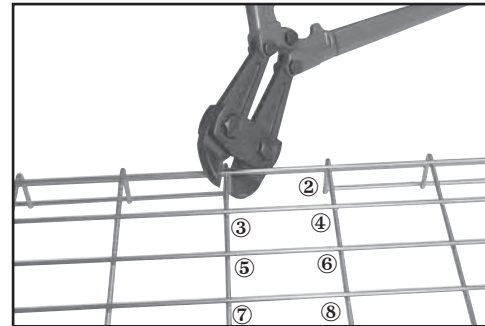
**WB30RB**  
Replacement Blade

Completely adaptable, B-Line Flextray is designed to accommodate jobsite changes. Cut wires with B-Line Angular Bolt Cutter, bend to create a bend, tee, or reducer.

Cut and remove each wire as illustrated below. Follow cutting pattern and blade positioning. Placing Flextray open side down provides the optimum cutting angle.



### Cutting Order



For the best results, use a WB30BC Angular Blade Offset Bolt Cutter with 24" (600 mm) long handles. The Offset Blade Cutter produces a clean cut. Position bolt cutter blades near the cross wire and perpendicular to wire to be cut (see illustration above). Proper cut will make the assembly faster, easier and safer while minimizing grinding.

FLEXTRAY

Part Number	Length		Wt. Per Cutter		Box Quantity
	in.	mm	lbs.	kg	
WB50WC	12 <sup>3</sup> / <sub>4</sub> "	325	3.0	1.3	1

Part Number	Description	Box Quantity
WB50RB	Replacement Blade	1
WB50BA	Replacement Battery	1

The Greenlee cable wire cutter makes flush cuts without burrs. Will cut .191" diameter wire in 2 seconds. Cutting head rotates 330° for ease of positioning and the tool automatically retracts when cut is complete.

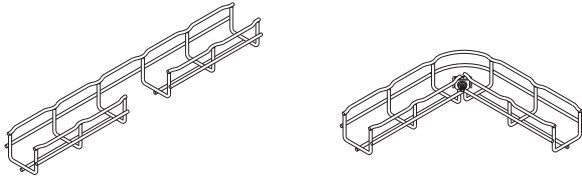
Comes with 2 batteries, charger, and carrying case. Approximately 250 cuts per charge.



See page FLX-3 for finish information

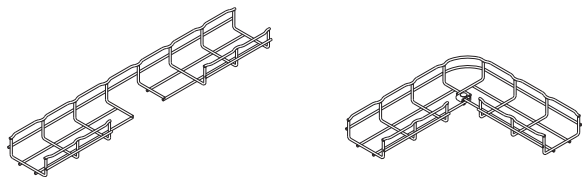
## 90° Horizontal Bends (Short Radius)

- Make your own field cut horizontal bends using CLEANSHEAR™ to make safe, smooth cuts
- Can be made from any tray width and depth with any available finish
- SUPT WASHER & FTHDWE 1/4 hardware may be used on bottom of tray instead of WASHER SPL KIT where desired



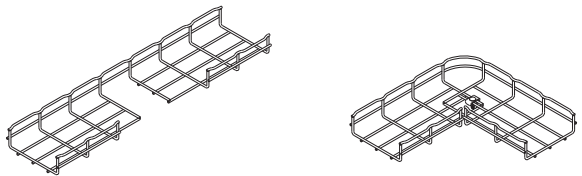
### 2" (50mm) Tray Width

Flextray Depth	Required Hardware Description	Quantity
2" (50mm)	WASHER SPL KIT	1



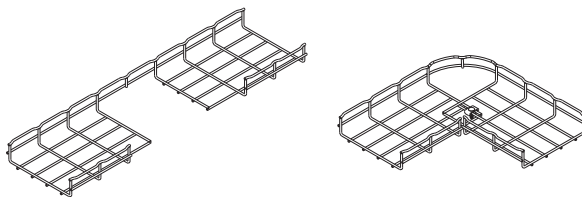
### 4" (100mm) Tray Width

Flextray Depth	Required Hardware Description	Quantity
1 1/2" (38mm)	WASHER SPL KIT	1
2" (50mm)	WASHER SPL KIT	1
4" (100mm)	WASHER SPL KIT	1



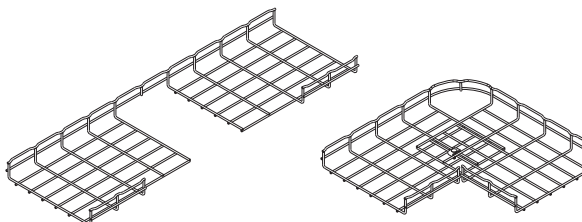
### 6" (150mm) Tray Width

Flextray Depth	Required Hardware Description	Quantity
1 1/2" (38mm)	WASHER SPL KIT	1
2" (50mm)	WASHER SPL KIT	1
4" (100mm)	WASHER SPL KIT	1



### 8" (200mm) Tray Width

Flextray Depth	Required Hardware Description	Quantity
1 1/2" (38mm)	WASHER SPL KIT	1
2" (50mm)	WASHER SPL KIT	1
4" (100mm)	WASHER SPL KIT	1
6" (150mm)	WASHER SPL KIT	1



### 12" (300mm) Tray Width

Flextray Depth	Required Hardware Description	Quantity
1 1/2" (38mm)	WASHER SPL KIT	1
2" (50mm)	WASHER SPL KIT	1
4" (100mm)	WASHER SPL KIT	1
6" (150mm)	WASHER SPL KIT	1

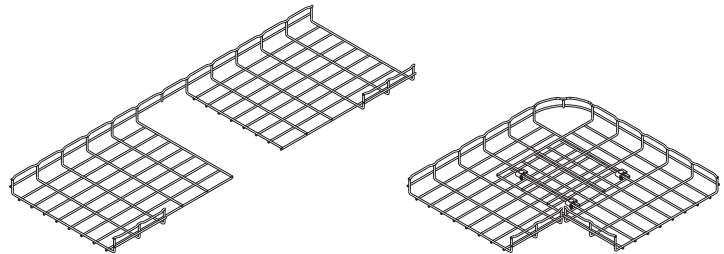
# FLEXTRAY™ - Installation

## 90° Horizontal Bends (Short Radius)

- Make your own field cut horizontal bends using CLEANSHEAR™ to make safe, smooth cuts
- Can be made from any tray width and depth with any available finish
- SUPT WASHER & FTHDWE 1/4 hardware may be used on bottom of tray instead of WASHER SPL KIT where desired

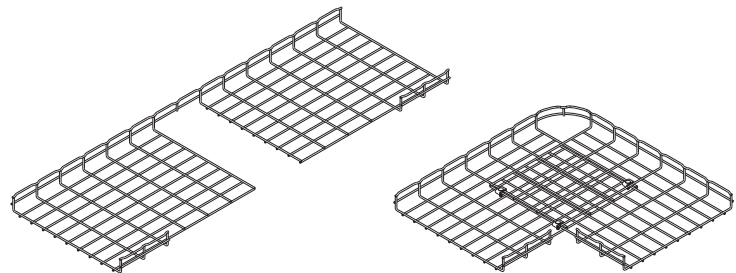
### 16" (400mm) Tray Width

Flextray Depth	Required Hardware Description	Quantity
2" (50mm)	WASHER SPL KIT	3
4" (100mm)	WASHER SPL KIT	3
6" (150mm)	WASHER SPL KIT	3



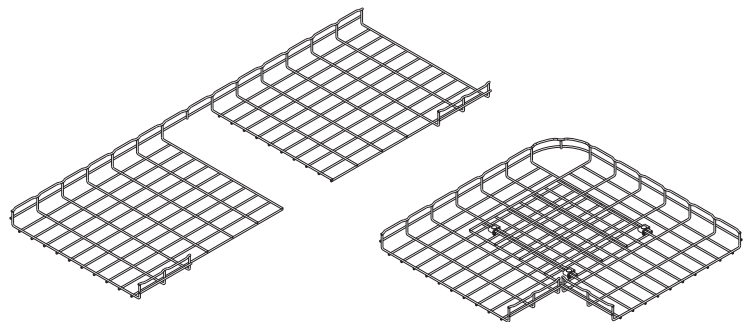
### 18" (450mm) Tray Width

Flextray Depth	Required Hardware Description	Quantity
2" (50mm)	WASHER SPL KIT	3
4" (100mm)	WASHER SPL KIT	3
6" (150mm)	WASHER SPL KIT	3



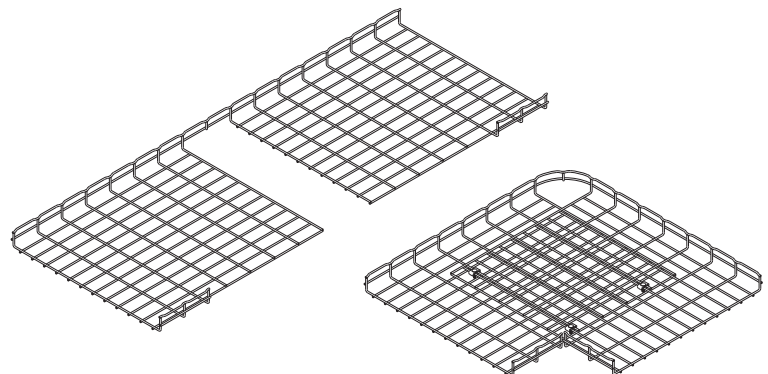
### 20" (500mm) Tray Width

Flextray Depth	Required Hardware Description	Quantity
2" (50mm)	WASHER SPL KIT	3
4" (100mm)	WASHER SPL KIT	3
6" (150mm)	WASHER SPL KIT	3



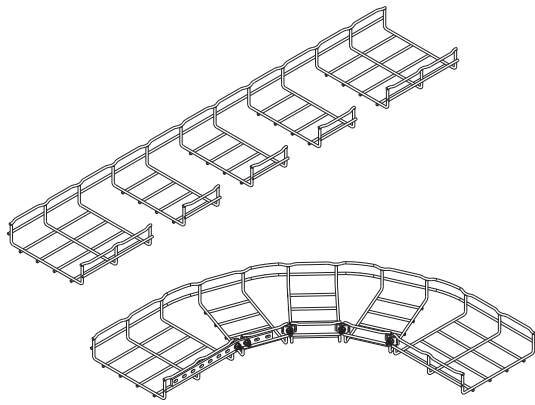
### 24" (600mm) Tray Width

Flextray Depth	Required Hardware Description	Quantity
2" (50mm)	WASHER SPL KIT	3
4" (100mm)	WASHER SPL KIT	3
6" (150mm)	WASHER SPL KIT	3



## 90° Horizontal Bends (Long Radius)

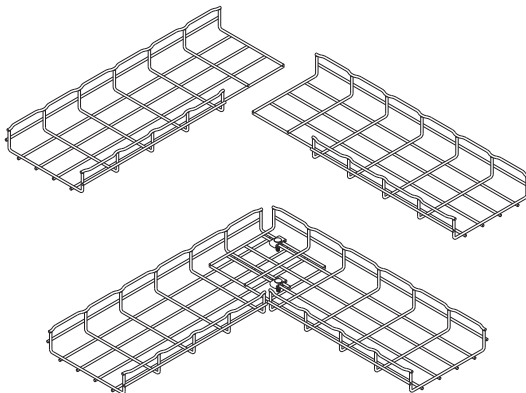
- Make your own field cut horizontal sweeps using CLEANSHEAR™ to make safe, smooth cuts
  - Can be made from any tray width and depth with any available finish
  - Cut as many segments as required to control sweep radius (use chart for recommendations)
  - One (1) WASHER SPL KIT is required to connect each cut segment minus one, this segment uses one (1) SPLICE BAR, two (2) FTHDWE 1/4 and two (2) BTM WASHER
- Illustration shown below is for a 8" (200mm) width
  - 1.5" deep FLEXTRAY has only one (1) side wire
  - 2" deep FLEXTRAY has two (2) side wires - shown
  - 4" deep FLEXTRAY has three (3) side wires
  - 6" deep FLEXTRAY has four (4) side wires



Flextray Width	Segments To Be Removed	Component Qty.		
		WASHER SPL KIT	FTHDWE 1/4 & BTM WASHER	SPLICE BAR
4" (100mm)	2	1	2	1
6" (150mm)	3	2	2	1
8" (200mm)	4	3	2	1
12" (300mm)	6	5	2	1
16" (400mm)	7	6	2	1
18" (450mm)	8	7	2	1
20" (500mm)	10	9	2	1
24" (600mm)	11	10	2	1
30" (750mm)	13	12	2	1
32" (800mm)	13	12	2	1

## 90° Horizontal Bend From (2) Straight Sections

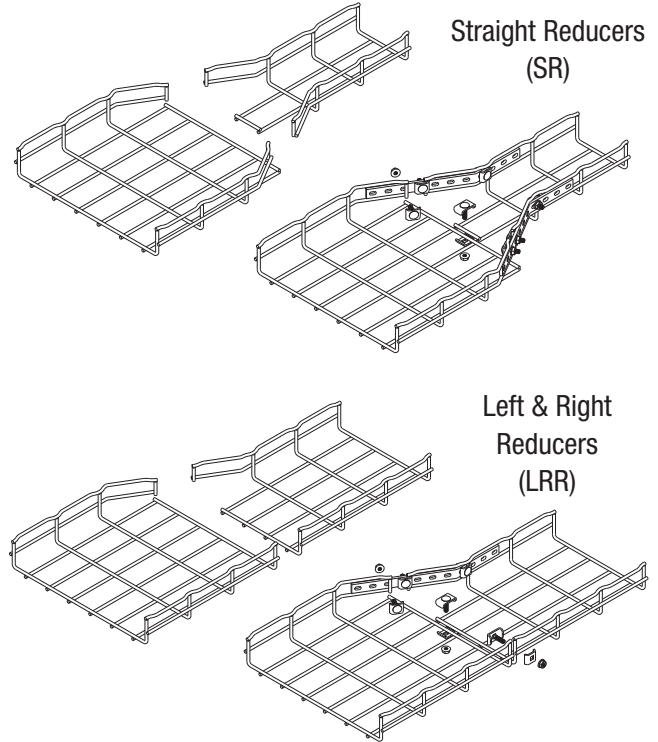
- Cut required number of wire side sections listed in chart per the illustration below (Illustration is for a 8" (200mm) width)
- 1.5" deep FLEXTRAY has only one (1) side wire
- 2" deep FLEXTRAY has two (2) side wires - shown
- 4" deep FLEXTRAY has three (3) side wires
- 6" deep FLEXTRAY has four (4) side wires



Flextray Width	Side Sections To Be Removed	WASHER SPL KIT Qty.
4" (100mm)	1	2
6" (150mm)	2	2
8" (200mm)	2	2
12" (300mm)	3	2
16" (400mm)	4	3
18" (450mm)	5	3
20" (500mm)	5	3
24" (600mm)	6	4
30" (750mm)	8	4
32" (800mm)	8	4

## Reducers

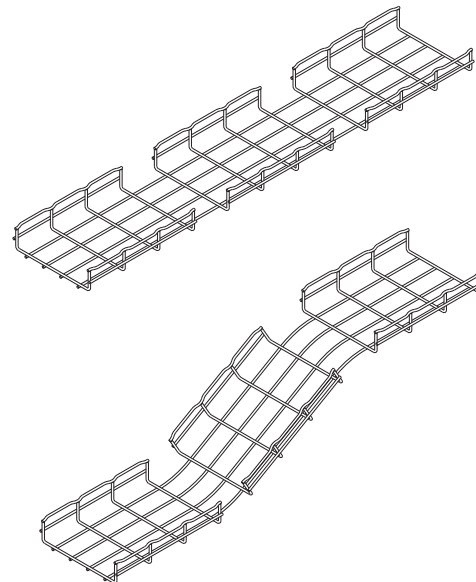
Large Flextray Width	WASHER SPL KIT		Component Qty. FTHDWE 1/4 & BTM WASHER		SPLICE BAR	
	(SR)	(LRR)	(SR)	(LRR)	(SR)	(LRR)
4" (100mm)	-	1	-	2	-	1
6" (150mm)	-	2	-	2	-	1
8" (200mm)	1	2	4	2	2	1
12" (300mm)	2	3	4	2	2	1
16" (400mm)	2	3	4	2	2	1
18" (450mm)	2	3	4	2	2	1
20" (500mm)	3	3	4	2	2	1
24" (600mm)	3	3	4	2	2	1
30" (750mm)	3	3	4	2	2	1
32" (800mm)	3	3	4	2	2	1



- 1.5" deep FLEXTRAY has only one (1) side wire
- 2" deep FLEXTRAY has two (2) side wires - shown
- 4" deep FLEXTRAY has three (3) side wires
- 6" deep FLEXTRAY has four (4) side wires

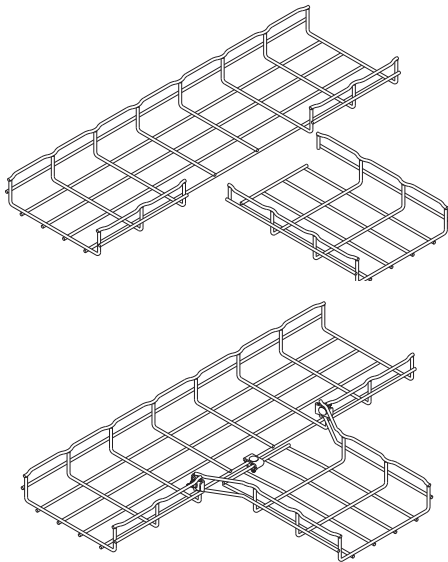
## Vertical Inside & Outside Bends

- Cut wire section as shown and bend to desired angle
- 1.5" deep FLEXTRAY has only one (1) side wire
- 2" deep FLEXTRAY has two (2) side wires - shown
- 4" deep FLEXTRAY has three (3) side wires
- 6" deep FLEXTRAY has four (4) side wires



## Horizontal Tees (and crosses)

- Cut wire side sections as shown in the illustration below (Illustration is for a 8" (200mm) width)
- 1.5" deep FLEXTRAY has only one (1) side wire
- 2" deep FLEXTRAY has two (2) side wires - shown
- 4" deep FLEXTRAY has three (3) side wires
- 6" deep FLEXTRAY has four (4) side wires
- For crosses, duplicate process on opposite side



Flextray Width	WASHER SPL KIT Qty.
2" (50mm)	2
4" (100mm)	2
6" (150mm)	3
8" (200mm)	3
12" (300mm)	4
16" (400mm)	4
18" (450mm)	4
20" (500mm)	4
24" (600mm)	4
30" (750mm)	5
32" (800mm)	5