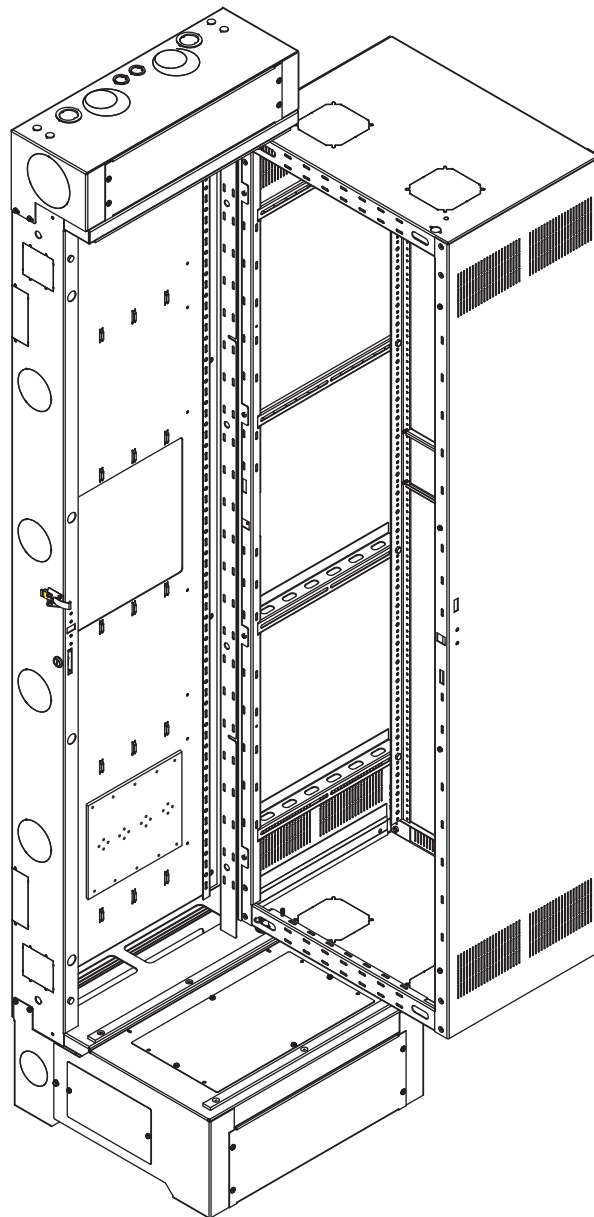


INSTRUCTION SHEET

SR SERIES

PIVOTING RACK

US PATENT 7, 278,183



THANK YOU

Thank you for purchasing the SR Series Pivoting Rack.
Please read these instructions thoroughly before installing and assembling this product.

PRODUCT FEATURE

- Tool-Free Quick-Mount™ system for easy mounting of the center section to the backpan on the job site.
- Zero Clearance Latch option allows side-by-side or corner mounting.
- Pivots 90° on floor base for access to rear connections.

IMPORTANT SAFETY INSTRUCTIONS

- Read these instructions.
- Keep these instructions.
- Heed all warnings.
- Follow all instructions.
- Clean only with dry cloth.
- Only use attachments/accessories specified by the manufacturer.



WARNING: A WARNING ALERTS YOU TO A SITUATION THAT COULD RESULT IN SERIOUS PERSONAL INJURY OR DEATH.



CAUTION: A CAUTION ALERTS YOU TO A SITUATION THAT MAY RESULT IN MINOR PERSONAL INJURY OR DAMAGE TO THE PRODUCT AND / OR PROPERTY.

NOTE: A NOTE IS USED TO HIGHLIGHT PROCEDURES PERTAINING TO THE INSTALLATION, OPERATION OR MAINTENANCE OF THE PRODUCT.

IMPORTANT WARNINGS AND CAUTIONS!



WARNING! Failure to read, understand and follow the following information can result in serious personal injury, damage to the equipment or voiding of the warranty.



CAUTION: All installation and assembly steps must be performed by qualified personnel.



CAUTION: Ensure that the wall/floor has a structural load capacity that will support the weight of the cabinet fully loaded with equipment.



CAUTION: Some parts of the enclosure system may not be effectively bonded to the Protective Earth Terminal (PET). If these parts need to be bonded to the PET it should be done in accordance with Article 250 of the National Electrical Code.



CAUTION: Power cord(s), for fans or other accessories, need to be secured to ensure that they are routed away from pinch points and moving parts.



CAUTION: Do not attempt to unload or move the enclosures alone. Make sure to have sufficient amount of personnel and equipment to safely move this product.



CAUTION: The following parts are not effectively bonded to the protective earth terminal: Rackrails, lace bars, Lever Lock™, shelving, baffles, blank panels, and cable management equipment. If any part needs to be bonded to the protective earth terminal it shall be done in accordance with Article 250 of the National Electrical Code.



CAUTION

TO REDUCE THE RISK OF PERSONAL INJURY AND CONFORM TO THE UL LISTING THESE MOUNTING INSTRUCTIONS MUST BE FOLLOWED.

SEISMIC COMPLIANCE: AN ENGINEERED SYSTEM IS VITAL TO ACHIEVE SEISMIC RATING REQUIREMENTS. A LICENSED PROFESSIONAL ENGINEER MUST APPROVE THE TYPE OF FASTENERS FOR THE WALL WHERE THE RACK WILL BE MOUNTED. BRACED ACCORDING TO SPECIFICATIONS SET FORTH BY LICENSED ARCHITECTS AND ENGINEERS, THE MIDDLE ATLANTIC PRODUCTS RACK/ENCLOSURE YOU PURCHASED IS CAPABLE OF SUSTAINING A PHENOMENAL LATERAL LOAD OF HIGH IMPORTANCE EQUIPMENT WITH THE FRONT RAILS FILLED TO A MAXIMUM CAPACITY OF 335 LBS.



CAUTION: Maximum weight capacity is 500 lbs. As a general rule, heavier equipment should be placed towards the bottom of the rack.

TOOLS NEEDED:

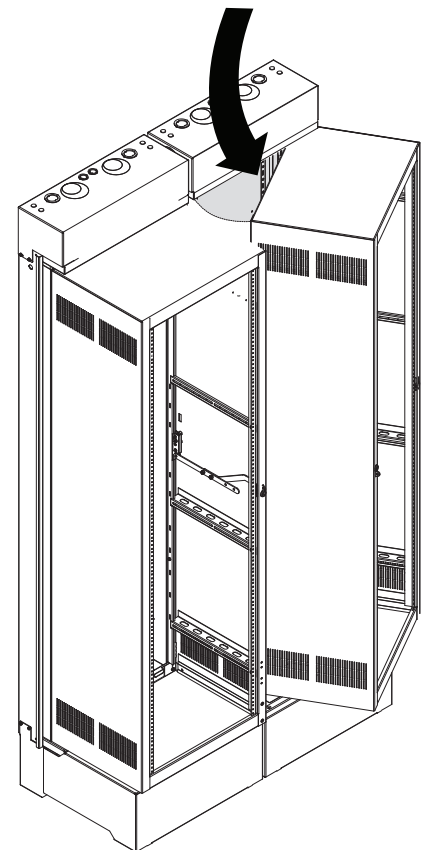
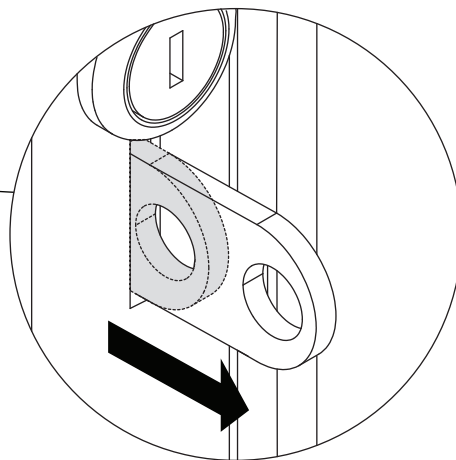
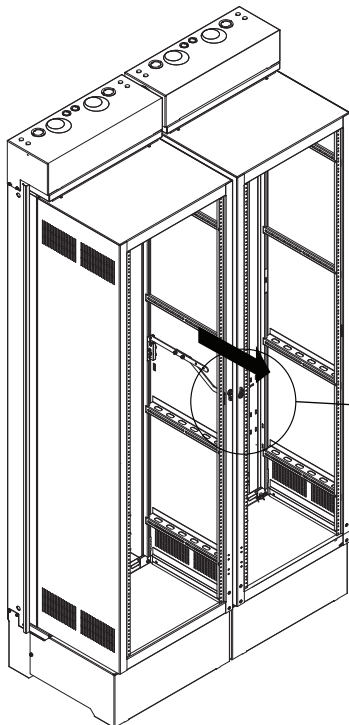
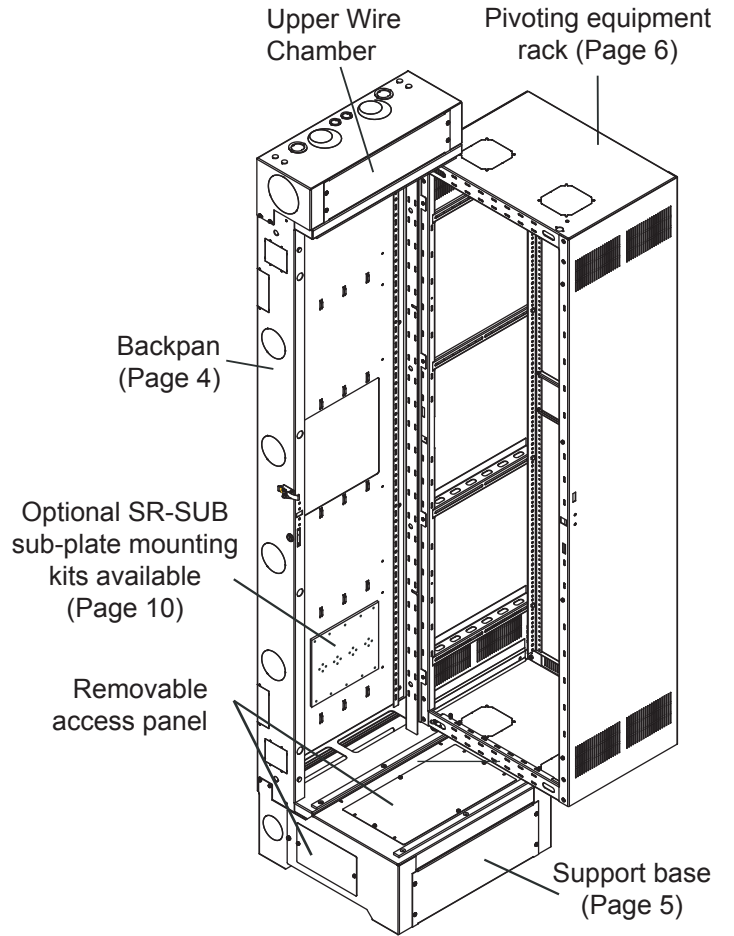
- 5/16" socket / nut driver
- 3/8" socket / nut driver
- 3' step ladder (optional)
- Level
- Drill

Zero Clearance Latch

Front mounted Zero Clearance Latch saves valuable wall space by allowing wall racks to be placed side-by-side, in a corner, or wherever side clearance is an issue. This easy to install option upgrades new SR Series racks to allow the center section to lock closed without the need for side latches - to open, simply pull the convenient front-mounted handle. Unlike time-consuming threaded rods, the unique latch provides keylocked security from the front (keyed differently from optional front door). Part # DWRSR-ZL

NOTE: It is recommended that this option is installed before the rack is loaded.

NOTE: The DWRSR-ZL **MUST** be installed for the rack to be seismic compliant.



WOOD STUD WALL INSTALLATION

NOTE: When assembling the SR-46-28, refer to instruction sheet # I-00155, supplied with the upper wire chamber to be attached after completing this assembly.

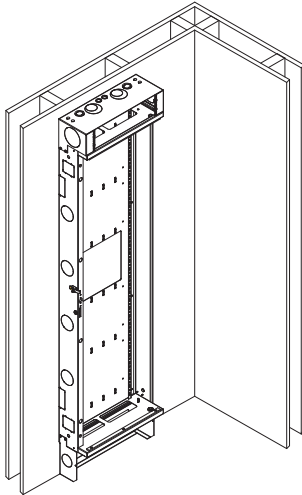
NOTE: When installing next to another SR or a wall using the DWRSR-ZL zero clearance latch, perform step #3 prior to step # 1 for access to base screws.

1) Rack ships with hinge on right. To reverse pivot, refer to page 9. To mount SR-SUB sub plate, refer to page 10. before moving to step #2.

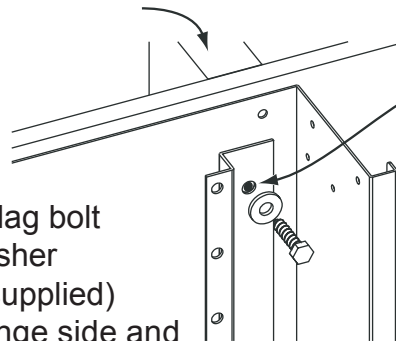
NOTE: For proper operation this unit must be installed plumb and level.

2) Mount Backpan to wall.

STUD WALL INSTALLATION



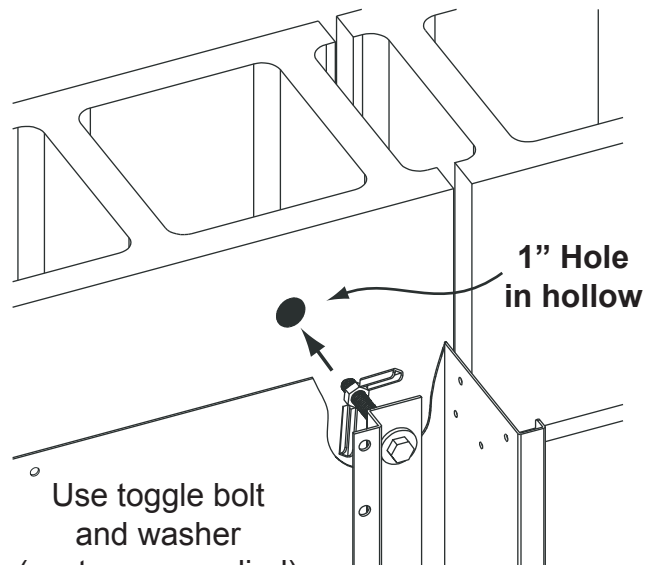
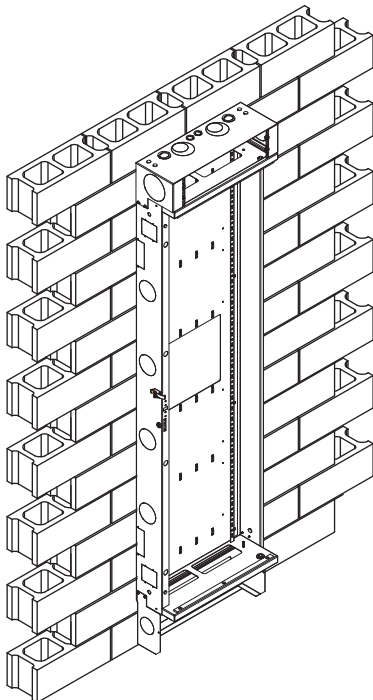
Lag bolt must protrude 2" into the 2 X 4



Drill 3/16" pilot hole on stud center

Use 5/16" lag bolt and washer (customer supplied)
6 places: 4 in hinge side and 2 in latch side

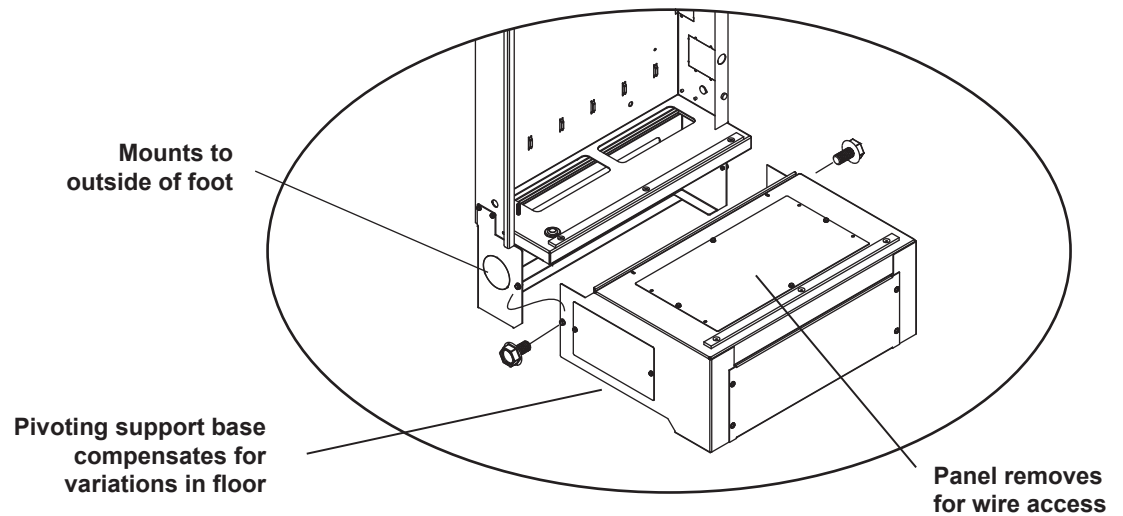
BLOCK WALL INSTALLATION (Installation not evaluated by UL)



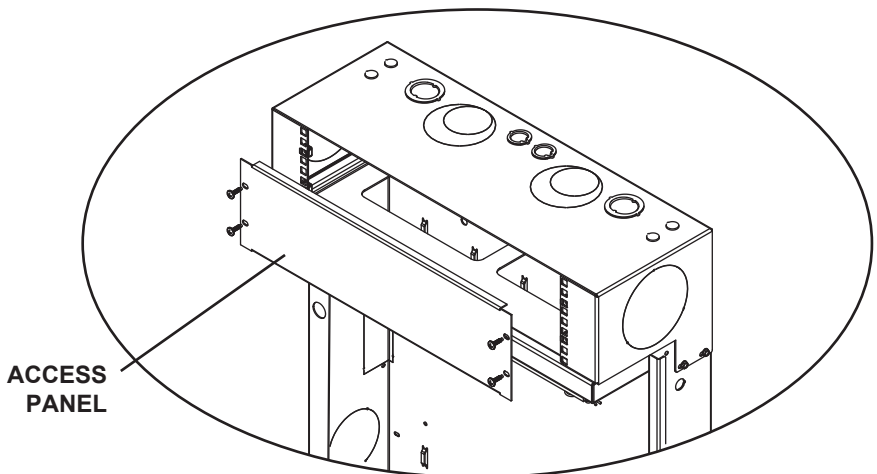
1" Hole in hollow

Use toggle bolt and washer (customer supplied)
in 6 places: 4 in hinge side and 2 in latch side

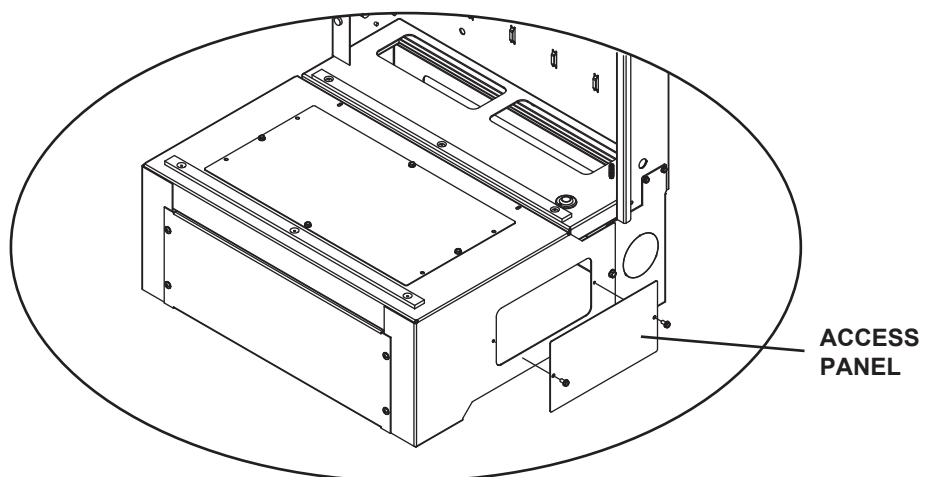
3) Support base attachment: position the support base to the outside of the Backpan foot and attach with preinstalled hardware located in the bottom foot of Backpan.



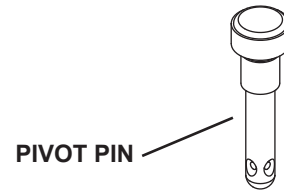
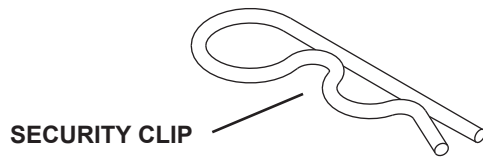
4a) Remove top access panel.



4b) Remove bottom access panel on the pivot side of the riser base only.



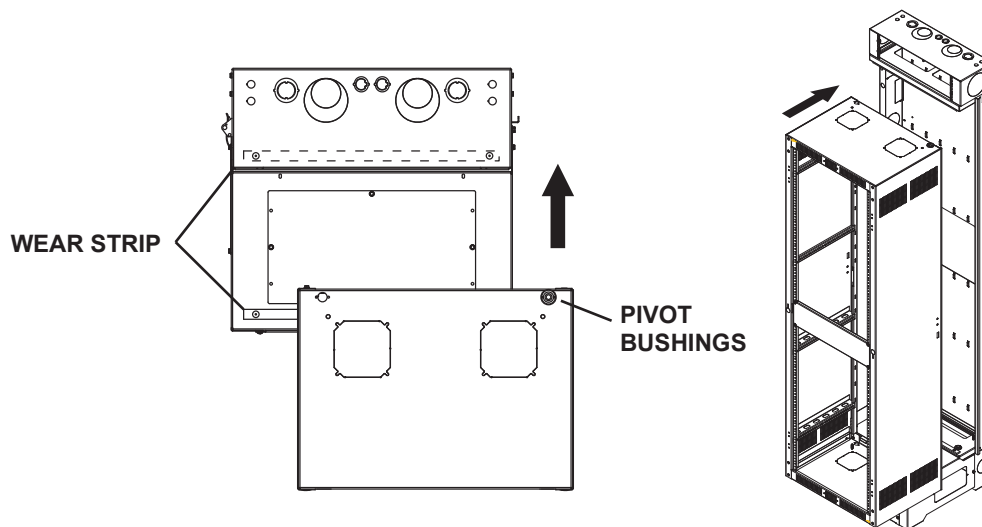
5) The pivot pins and security clips needed to mount the Center Section to the Backpan are preinstalled in the bushings on the Backpan top and bottom. Please remove the clips and unscrew the pins.



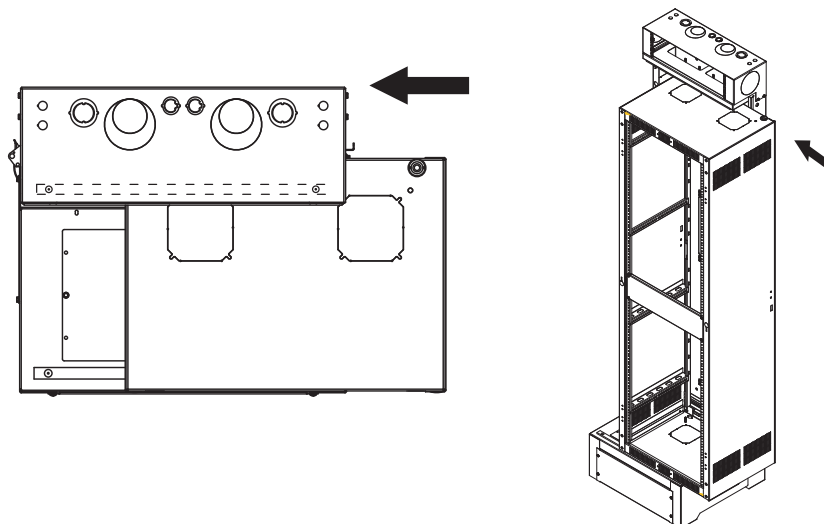
NOTE: Remove trim which is wire tied inside center section. (set aside for later installation)

6) Place Center Section up on support base with pivot bushing hanging over side of support base by 3" to 6".

7a) Push center section back.



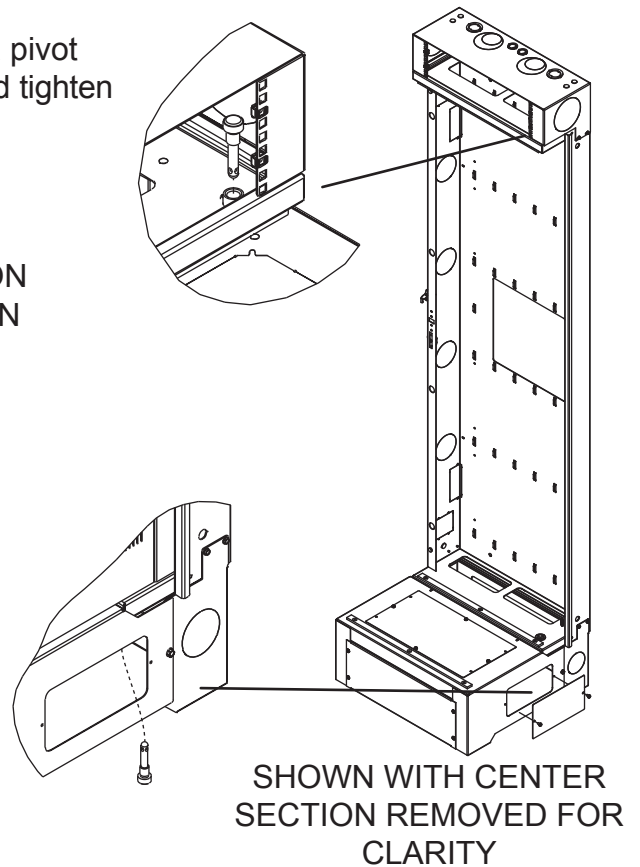
7b) Once pivot has passed lower and upper wear strips located on back pan, slide center section over to engage the pivot bushing.



- 8) Keeping the center section in the closed position insert a pivot pin through the bottom access hole into bushing and hand tighten fully, then back out one turn.

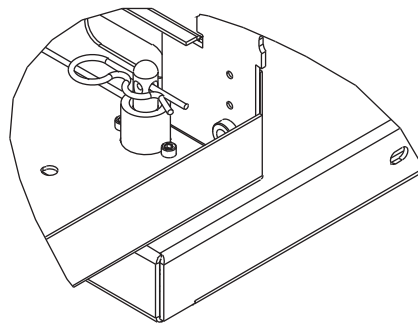
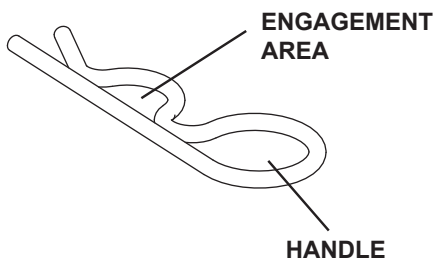
OPEN CENTER SECTION
SLIGHTLY FOR TOP PIN
ALIGNMENT

- 9) Going through the upper wire chamber drop the pivot pin into the top bushing (use tip of pin to find alignment) and insert, hand tighten fully, then back out one turn.



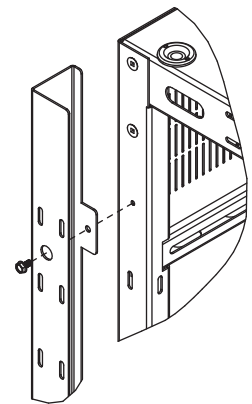
- 10) As a final security measure open the center section and install security clips through hole. (Prevents removal of the pivot pins from the exterior of the enclosure)

NOTE: Slide security clip into engagement area. Do not push pin all the way in.



- 11) Install trim on the pivot side with 5/16" socket / nut driver using screws preinstalled on the back of the center section.

NOTE: Self tapping screws supplied on both sides for your convenience. Leave unused self-tapping screws in place on opposite side.



- 12) Reinstall access panels.

- 13) **SR-46-28 ONLY:** refer to instruction sheet I-00155 included with the upper wire chamber and dust cover to complete assembly.

MOUNT POWER STRIP

Middle Atlantic Products power strips (PD-815SC, PD-815SC-NS, PD-2415SC, PD-2415SC-NS and PD-2420SC-NS only) can be mounted inside the center section trim with the included hardware. Simplifies cable management with no additional accessories required.

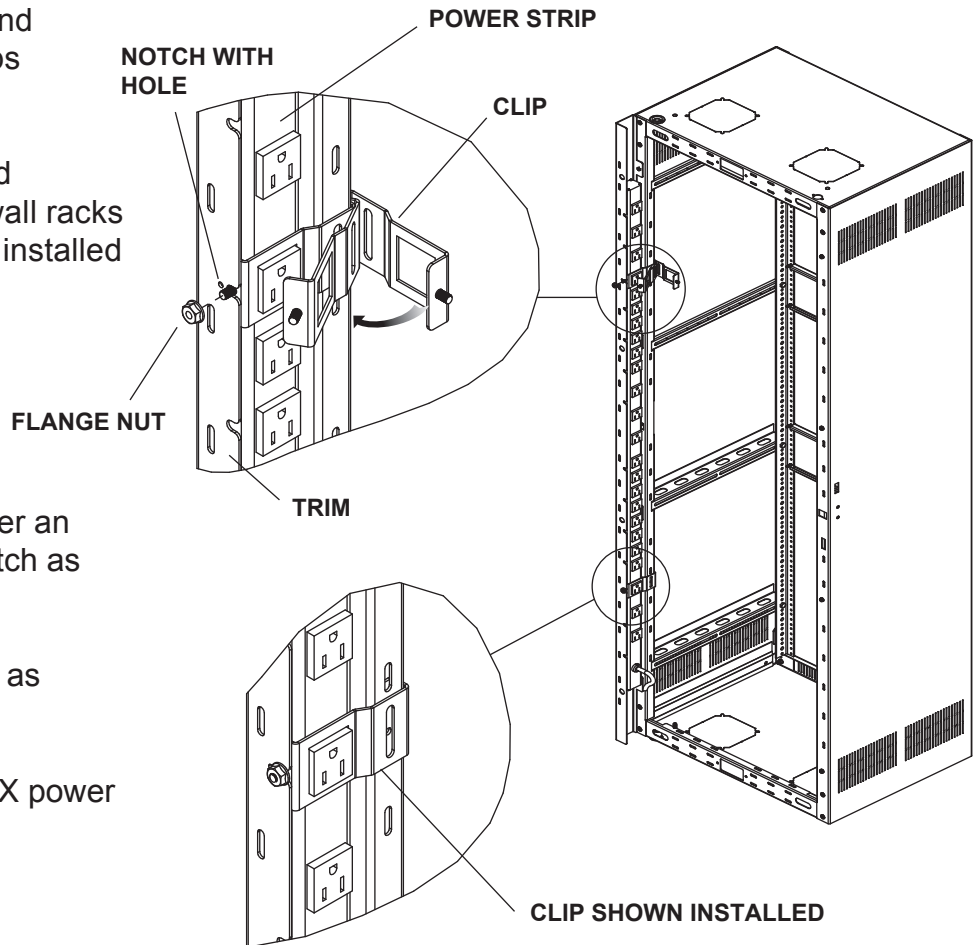
NOTE: PD-2415SC, PD-2415SC-NS, and PD-2420SC-NS power strips only fit in the 40 and 46 space wall racks and require the use of 2 clips. Install clips only to trim notches with a hole.

NOTE: Power strips PD-815SC and PD-815SC-NS fit in all SR Series wall racks and require only 1 clip. Clip can be installed on any trim notch.

1) Place the power strip in the trim, positioned so the clip mounts over an outlet and clip aligns with the notch as shown.

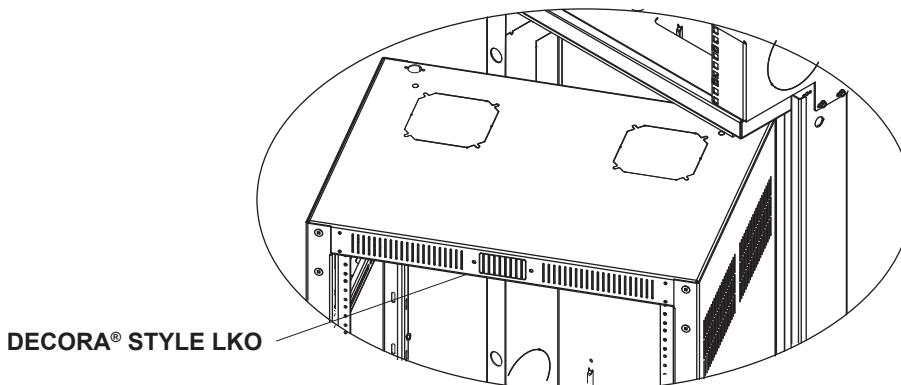
2) Install clip and tighten flange nut as shown.

NOTE: Installation using a PD-24XX power strip installed with 2 clips is shown.



DECORA® STYLE LASER KNOCKOUT

The face of the top and bottom of the SR wall rack has a knockout for the mounting of the RPS Series remote power switch from Middle Atlantic Products or any low voltage Decora® device. (visit middleatlantic.com for more details)



CHANGING PIVOT DIRECTION (Prior to installation)

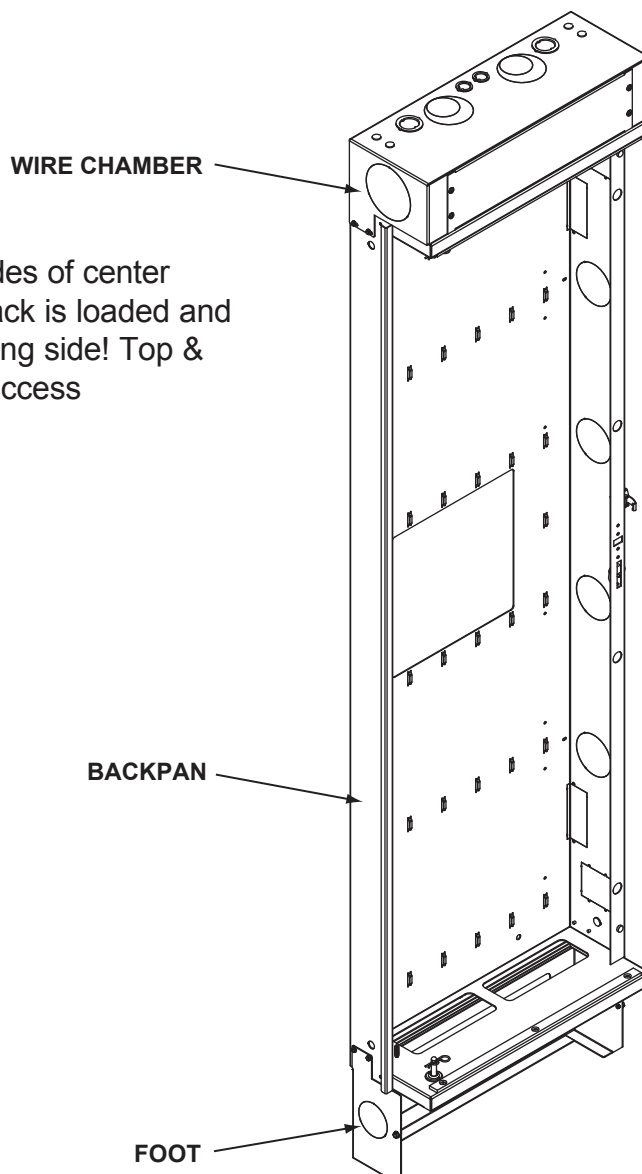
This rack is factory set up for right hand pivot. To change this product to left hand pivot.

- 1) Remove the Wire Chamber. (top)
- 2) Remove the Backpan Foot. (bottom)
- 3) Rotate Backpan 180° to provide pivot to the left side.
- 4) Replace the Wire Chamber (top) using previously removed hardware.
- 5) Replace the Backpan Feet (bottom) using previously removed hardware.

The above procedure has now provided you with a left hand pivoting rack.
Follow the previous pages of instructions to complete the assembly.

Thank You for choosing Middle Atlantic Products.

NOTE: Holes are supplied on both sides of center section so bushing can be moved if rack is loaded and backpan is mounted with pivot on wrong side! Top & bottom may need to be removed for access to bushings.

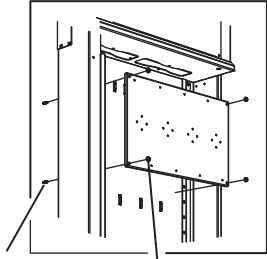


SR-SUB SUB PLATE MOUNTING KIT

Important Note

The SR-SUB must be installed prior to mounting the Backpan to the wall

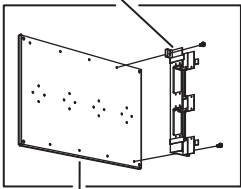
ASSEMBLY



Self Clinching Stud
Flange Nut

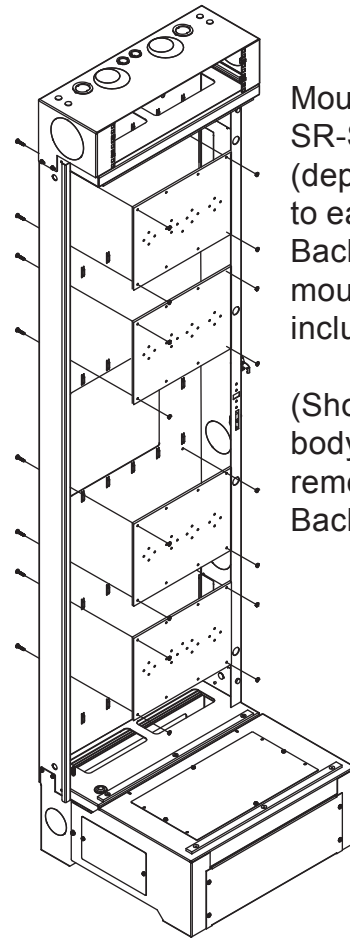
Insert self clinching stud through mounting holes in backpan of SR Series pivoting rack and through SR-SUB, then tighten flange nuts on self clinching studs. Hardware included.

89-D bracket (not included)



SR-SUB

Each SR-SUB allows for the mounting of up to (4) 89-D type brackets, (4) 1900 boxes or (1) Raco 3 gang box. Hardware included.

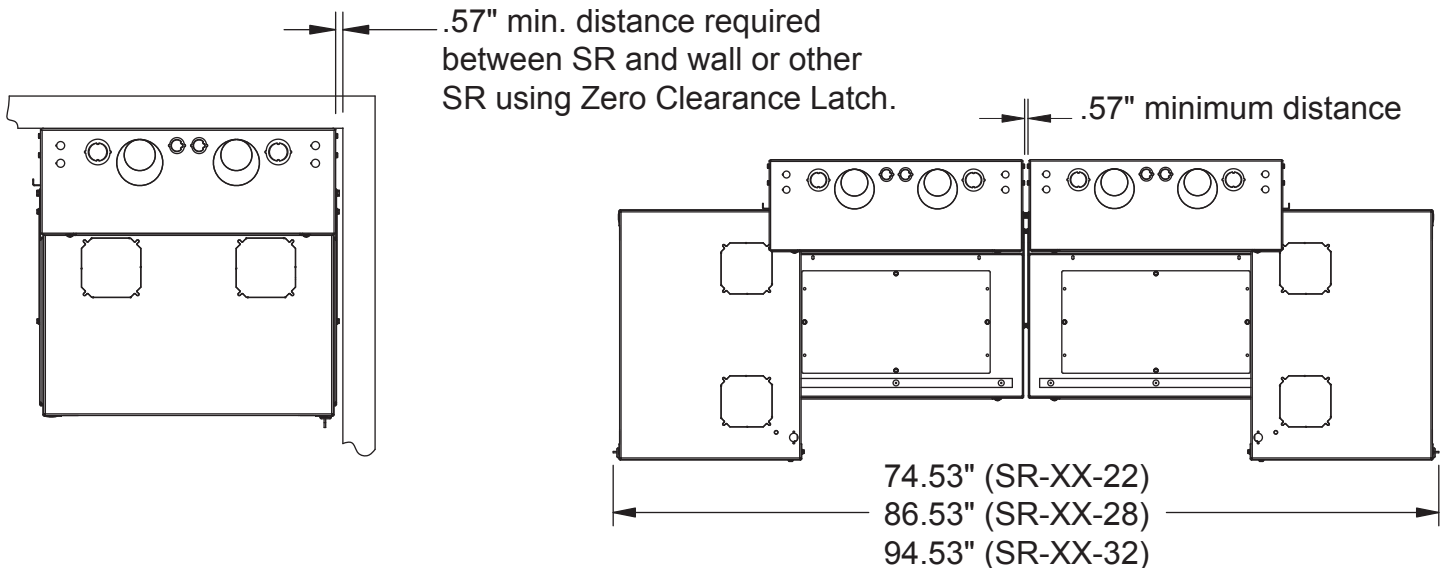


Mount up to 4 SR-SUB sub plates (depending on model) to each SR Series Backpan using mounting holes and included hardware.


(Shown with main body of enclosure removed from Backpan for clarity)

DWRSR-ZL ZERO CLEARANCE LATCH

Important note: When utilizing the DWRSR-ZL Latch for side-by-side mounting, mounting in a corner, or wherever clearance is an issue, it is important to install the latch before mounting equipment. Refer to instruction sheet I-00142 (included with DWRSR-ZL) for installation instructions.



GROUNDING AND BONDING

Protective Earth Terminals (PET) are located in backpan of the wall rack. These terminals are marked with the symbol 
Wall rack parts, center section and door, contain or are provided with bonding points for connection to the backpan / PET.
Protective earth and bonding connections shall be in accordance with Article 250 of the National Electric Code.

OPTIONAL PROTECTIVE EARTH TERMINAL KIT: #PET-K-D/EWR

PARTS LIST

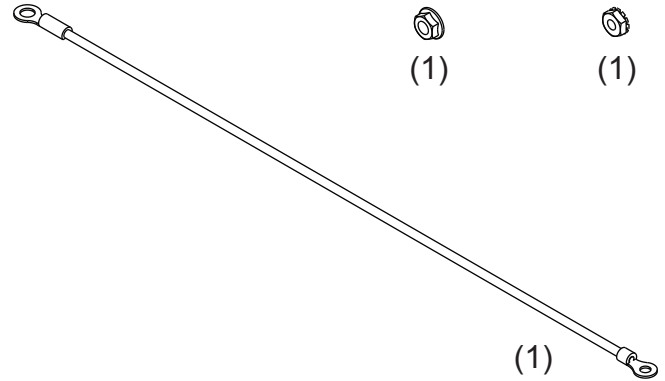
- Backpan bonding wire [12 Gauge Wire (#10 ring terminal to 1/4" ring terminal) 14"]
- Flange Nut 1/4-20
- Locking Nut 10-32

QTY

(1)

(1)

(1)



OPTIONAL PROTECTIVE EARTH TERMINAL KIT: #PET-K-SR

PARTS LIST

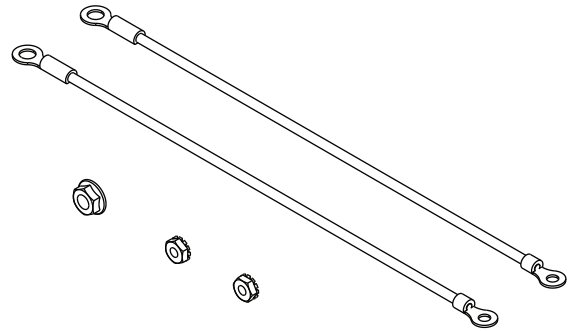
- Door bonding wire [12 Gauge Wire (#10 ring terminal to 1/4" ring terminal) 9"]
- Flange Nut 1/4-20
- Locking Nut 10-32

QTY

(2)

(1)

(2)



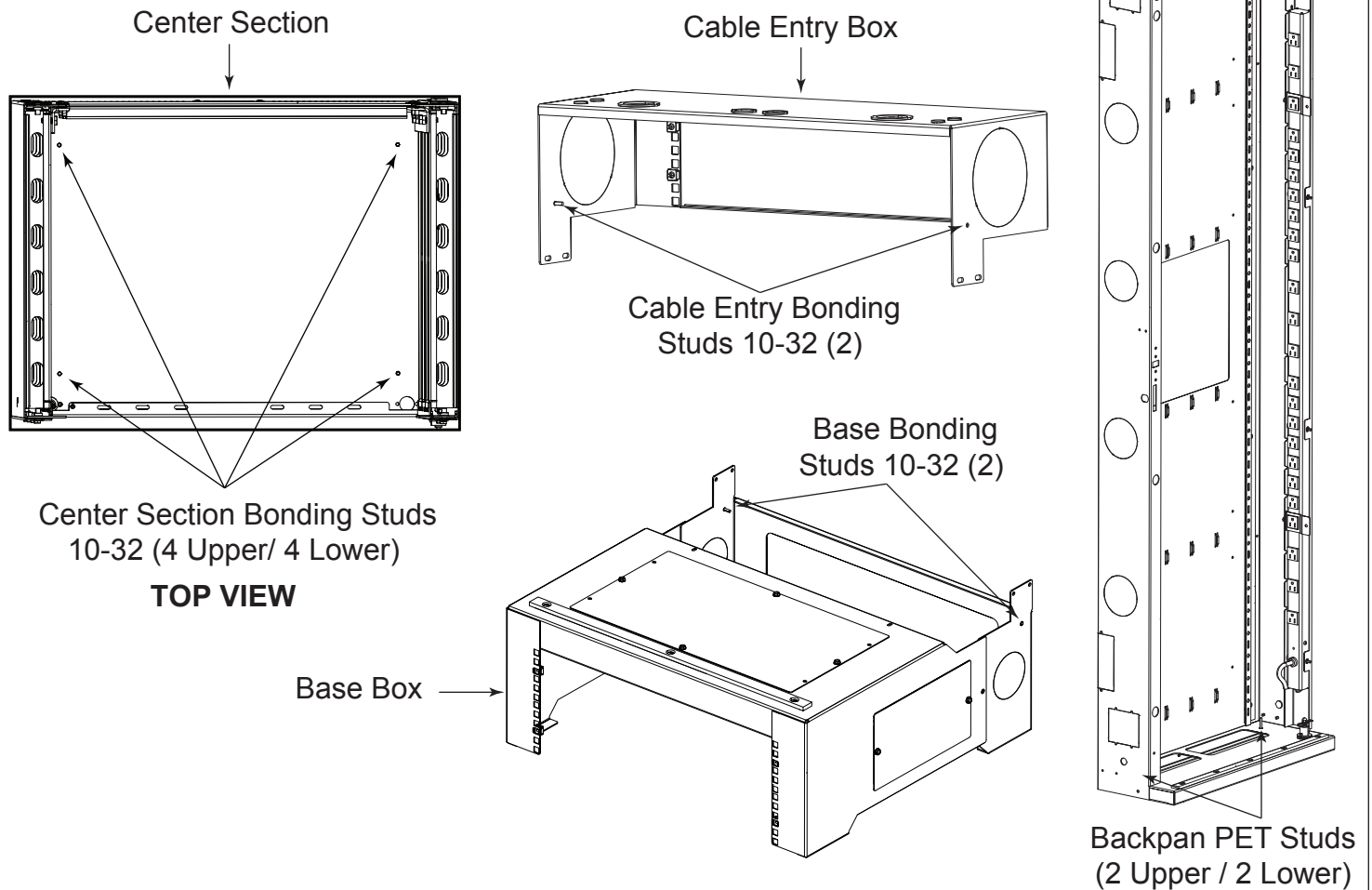
GROUNDING AND BONDING

- 1) Attach **backpan bonding wire** from 1/4"-20 backpan protective earth terminal (PET) to nearest center section bonding stud (10-32) using hardware provided.

NOTE: The main protective earth ground needs to be the first terminal placed on the PET and this terminal needs to be secured on its own with a nut. The bonding wire for the center section can be added to the PET after securing the nut for the main ground.

- 2) Attach **cable entry bonding wire** from cable entry box to nearest 10-32 center section bonding stud using hardware provided.

- 3) Attach **base bonding wire** from base to nearest center section bonding stud (10-32) using hardware provided.





Middle Atlantic Products

what great systems are built on™

middleatlantic.com ■ 800.266.7225

WARRANTY

Middle Atlantic Products (the "Company") warrants the SR Series Pivoting Rack to be free from defects in material or workmanship under normal use and conditions for the lifetime of the product.

The Company's entire liability to the purchaser, and the purchaser's (or any other party's) sole and exclusive remedy, under this warranty shall be limited, at the Company's option, to either (a) return of and refund of the price paid for, or (b) repair or replacement at the Company's factory of the products purchased, or any part or parts thereof, which the Company has determined to be defective after inspection thereof at the Company's factory.

This warranty does not cover damage due to acts of God, accident, misuse, abuse or negligence by parties other than the Company, or any modification or alteration of the products. In addition, this warranty does not cover damage due to improper handling, assembly, installation or maintenance.

THIS WARRANTY IS IN LIEU OF ALL OTHER WARRANTIES OF ANY KIND, EITHER EXPRESSED OR IMPLIED, INCLUDING, BUT NOT LIMITED TO, IMPLIED WARRANTIES OF MERCHANTABILITY AND FITNESS FOR A PARTICULAR PURPOSE.

TO THE MAXIMUM EXTENT PERMITTED BY APPLICABLE LAW, IN NO EVENT SHALL THE COMPANY BE LIABLE FOR ANY SPECIAL, INCIDENTAL, INDIRECT, OR CONSEQUENTIAL DAMAGES WHATSOEVER (INCLUDING, WITHOUT LIMITATION, DAMAGES FOR LOSS OF BUSINESS PROFITS, BUSINESS INTERRUPTION OR ANY OTHER PECUNIARY LOSS) ARISING OUT OF THE USE OF THE PRODUCTS PURCHASED, EVEN IF THE COMPANY HAS BEEN ADVISED OF THE POSSIBILITY OF SUCH DAMAGES. THE COMPANY'S LIABILITY TO THE PURCHASER (OR ANY OTHER PARTY) HEREUNDER, IF ANY, SHALL IN NO EVENT EXCEED THE PURCHASE PRICE OF THE PRODUCTS PAID TO THE COMPANY.

Corporate Headquarters

Corporate Voice 973-839-1011 - Fax 973-839-1976 / International Voice +1 973-839-8821 - Fax +1 973-839-4982
middleatlantic.com - info@middleatlantic.com

Middle Atlantic Canada

Voice 613-836-2501 - Fax 613-836-2690 / middleatlantic.ca - customerservicecanada@middleatlantic.ca

Factory Distribution

USA: NJ - CA - IL Canada: ON - BC

At Middle Atlantic Products we are always listening. Your comments are welcome.

Middle Atlantic Products is an ISO 9001 and ISO 14001 Registered Company.