

ASSEMBLY INSTRUCTIONS
C5 SERIES
CREDENZA RACK



THANK YOU

Thank you for purchasing the C5 Credenza Rack. Please read all instructions thoroughly before assembling this product.

WARNING: Instructions for C5 Series accessories **MUST** be read thoroughly prior to following these instructions. Please see the accessory-specific instructions for details on proper assembly.

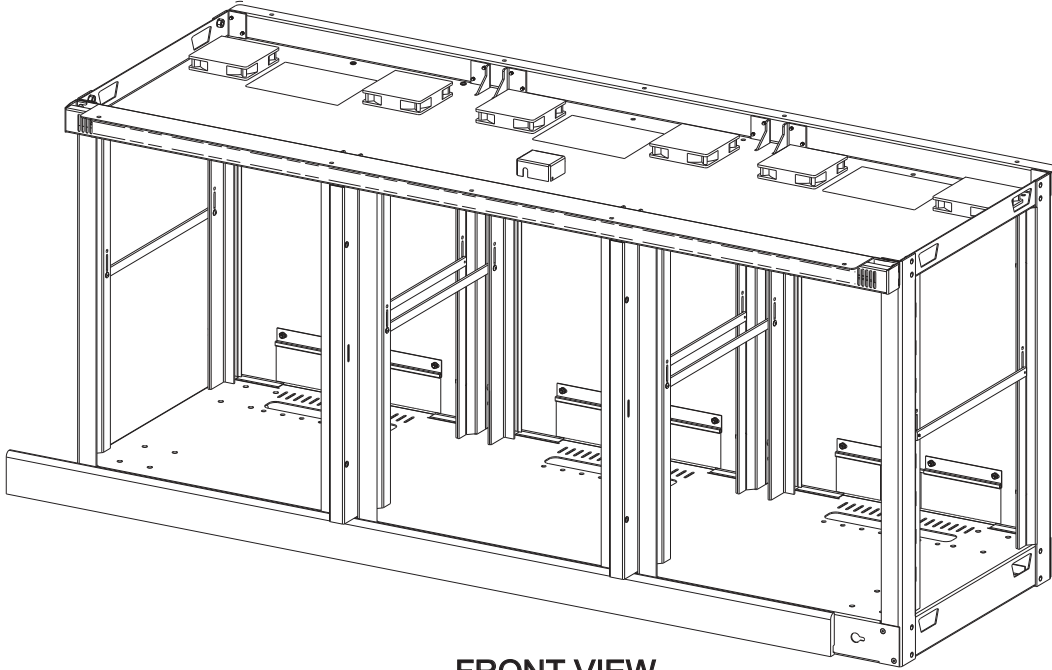
PRODUCT FEATURES

- Built-in thermostatically controlled cooling
- Welded rack frame ships separate to allow for equipment integration before finished surfaces are attached
- Weight rating of 800 pounds, including finishing kit*, with maximum 350 pounds located on top surface (*Middle Atlantic Products supplied finishing kit is 200 pounds complete)
- 14 rackspace per bay
- Factory installed casters

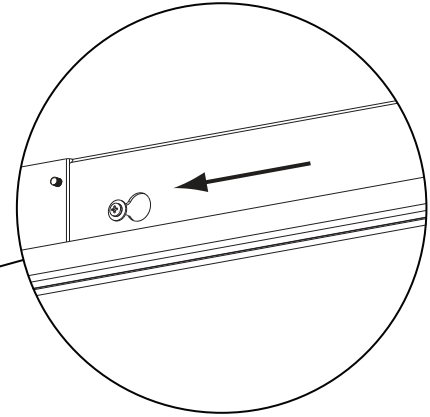
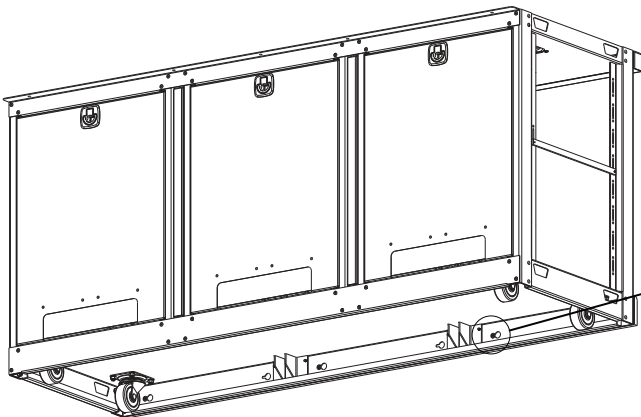
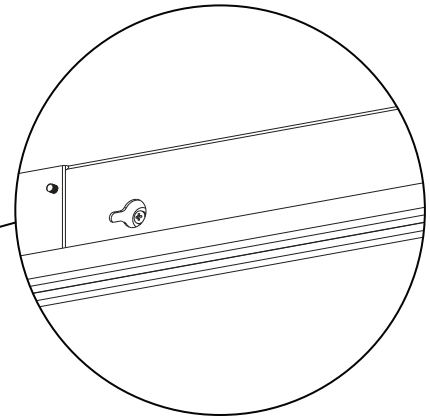
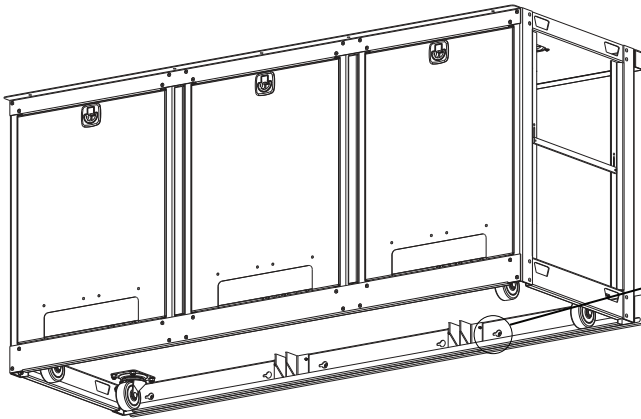


KICKPLATE INSTALLATION

1) Install the Kickplate by aligning screws into place using keyholes on credenza frame.



FRONT VIEW



REAR VIEW

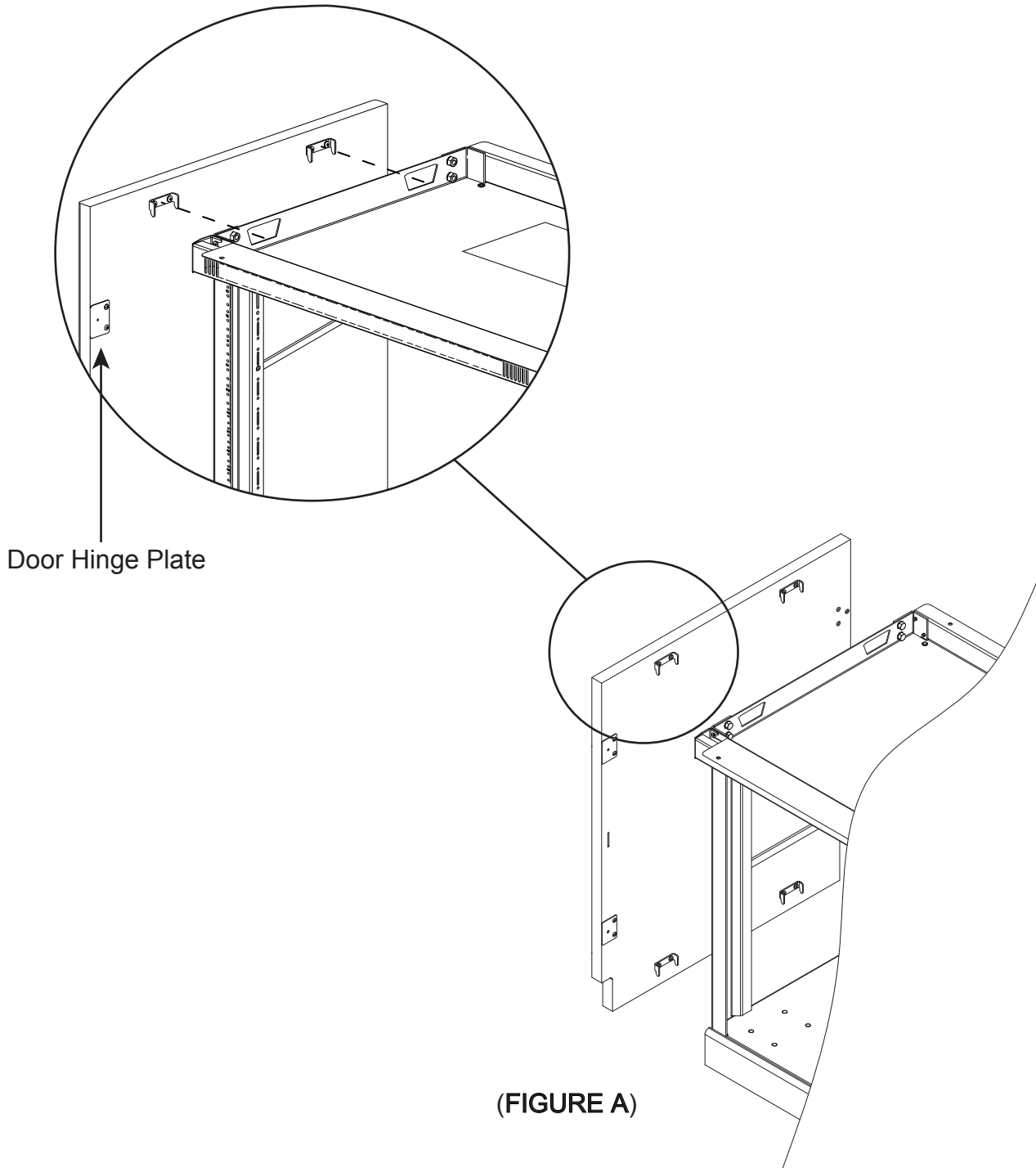
Kickplate secures into place
when shifted in direction of arrow

SIDE PANEL INSTALLATION

NOTE: For accessories related to the Side Panels, please read those instructions thoroughly before continuing with the installation below

2) Install Side Panels by placing the four pre-installed hooks into the four slots on the frame. **(FIGURE A)**

NOTE: When installing side panels, ensure door hinge plates are located at the front of the frame.

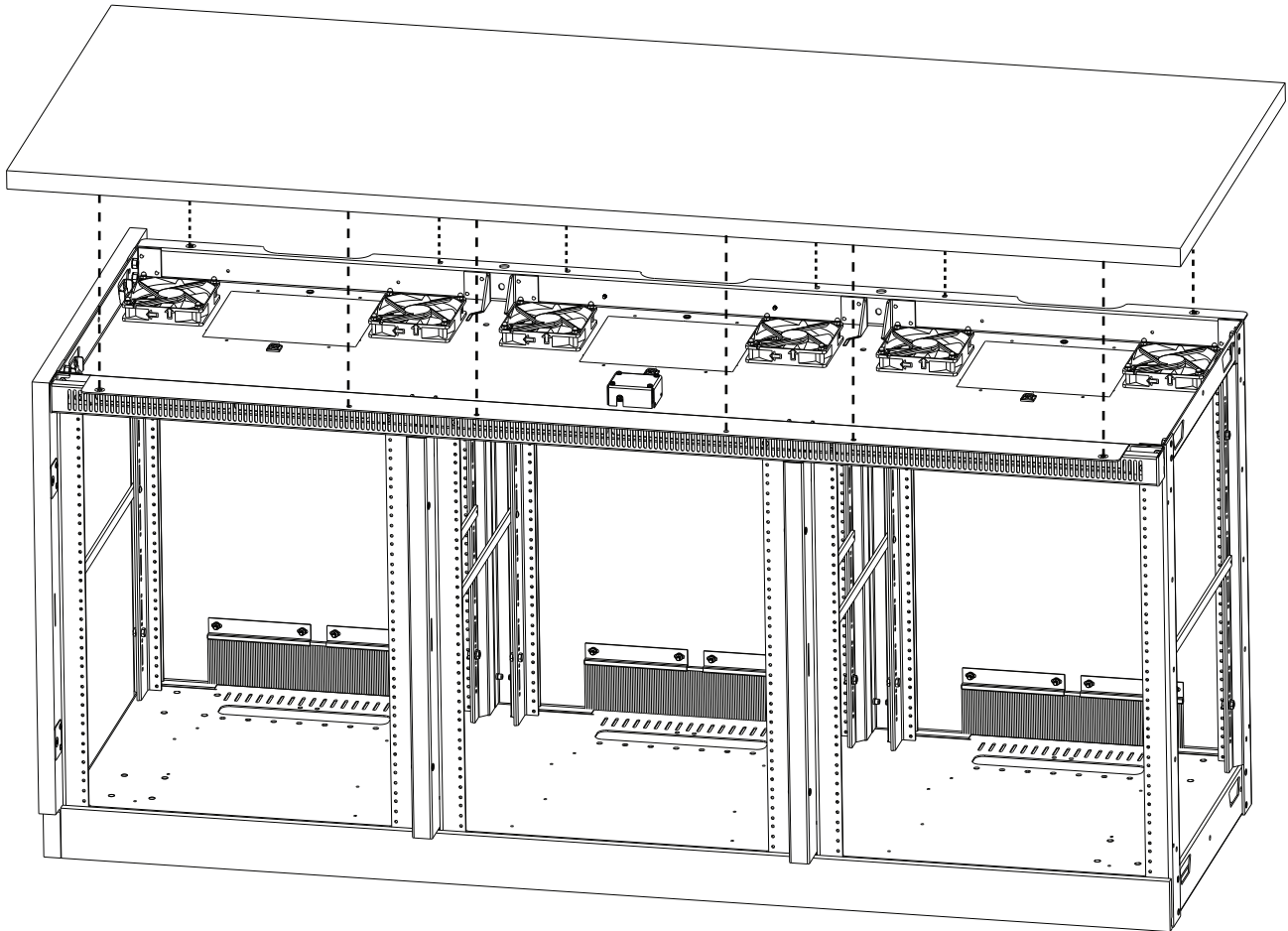


TOP SURFACE INSTALLATION

NOTE: For accessories related to the Top Surface, please read those instructions thoroughly before continuing with the installation below

3) Attach Top Surface to the frame using provided screws. Extra screws provided. (FIGURE B)

NOTE: Flat edge of Top Surface is designated as the rear.



(FIGURE B)
(Side Panel removed for clarity)

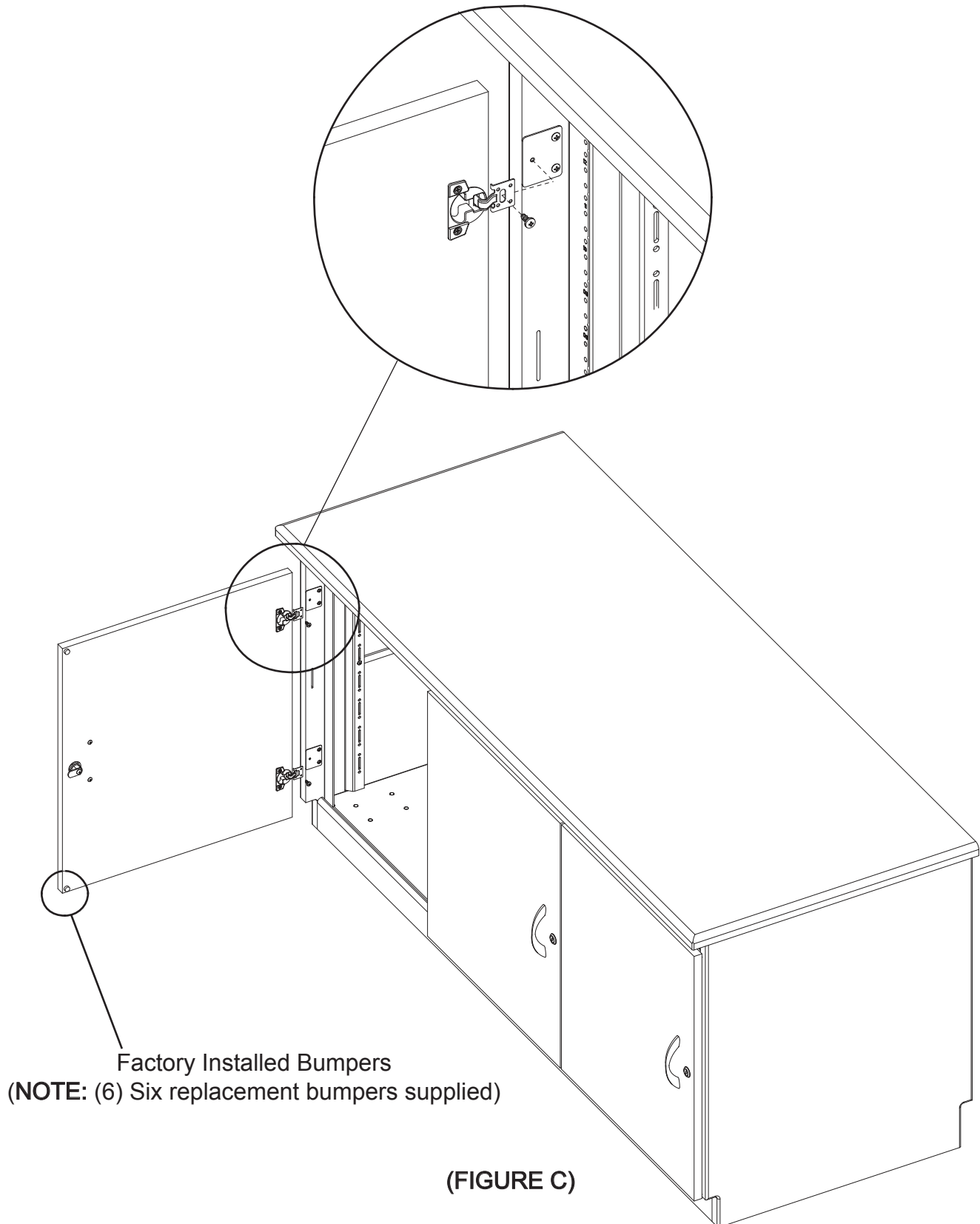
Number of #10 x 5/8" Screws Used Per Credenza Configuration

Configuration	Screws
3-Bay	12
2-Bay	8
1-Bay	4

DOOR INSTALLATION ONTO SIDE PANEL

4) Install doors using provided screws (two places per door) as shown. Extra screws provided.
(FIGURE C)

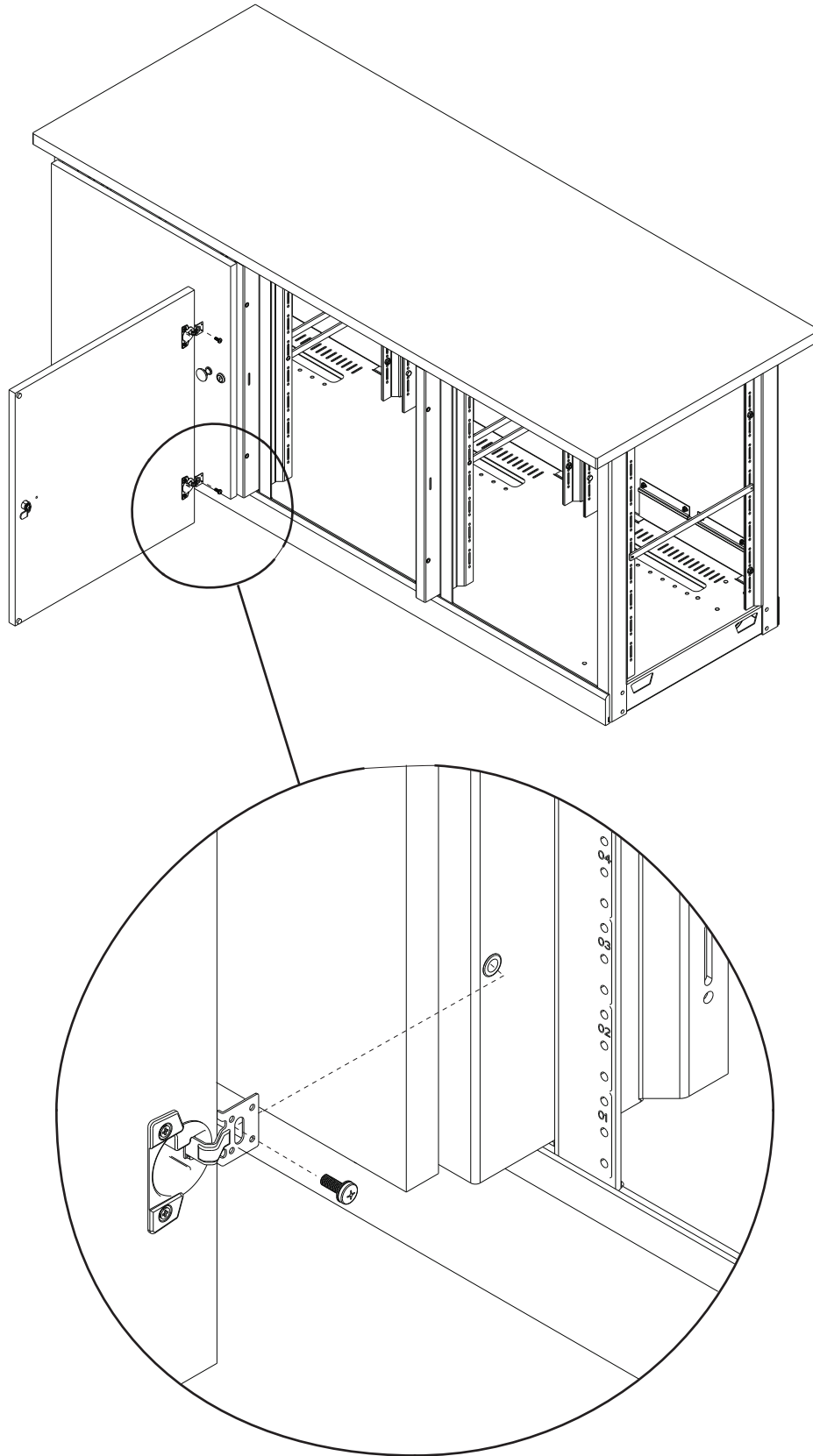
NOTE: All Doors may be installed to swing open from either left or right.



(FIGURE C)

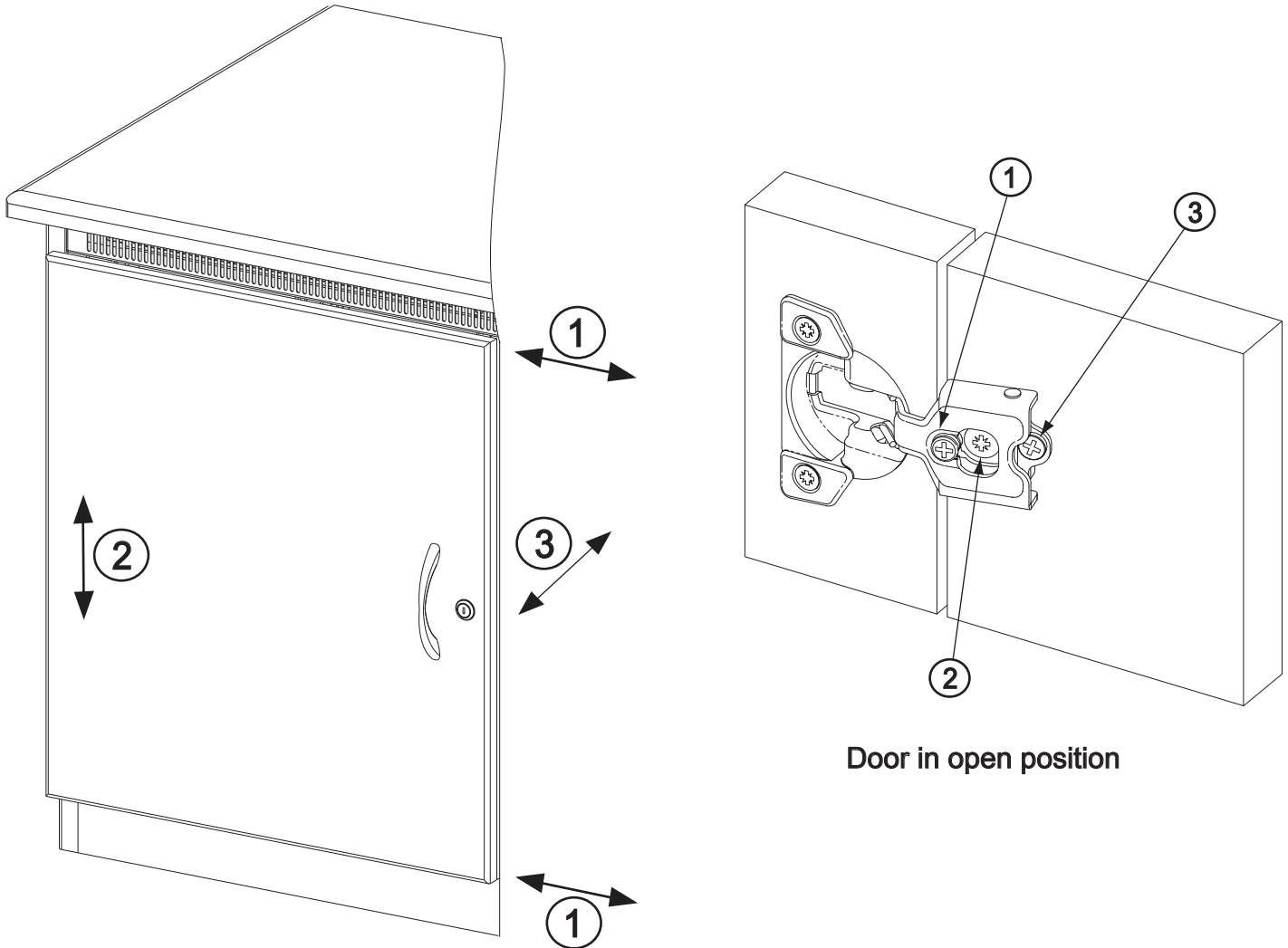
DOOR INSTALLATION ONTO MULLION

- 5) Door to be installed onto credenza frame using provided screws (two places per door) as shown.
(FIGURE D)



(FIGURE D)
(Additional Sides and Doors removed for clarity)

HINGE ADJUSTMENTS



Door in open position

(FIGURE E)

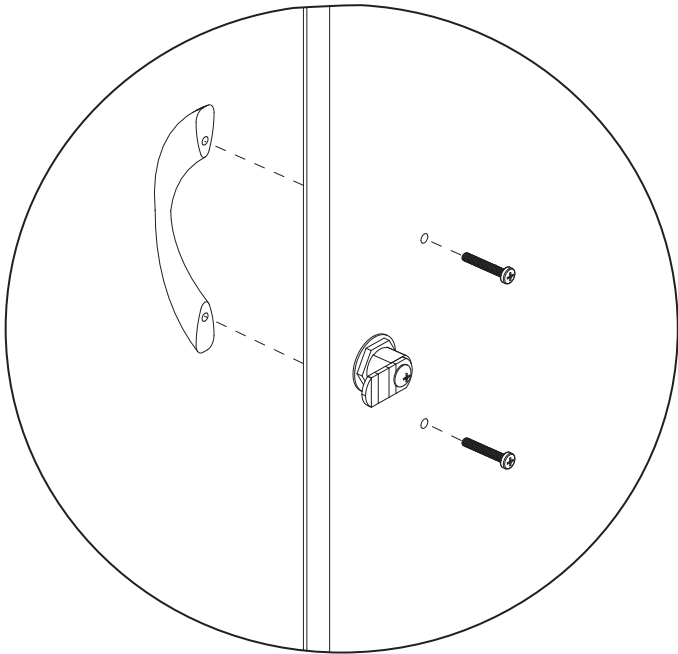
NOTE:

Directional adjustments apply to the door in the closed position. Hinge adjustment is done with door in open position. Refer to (FIGURE E) for appropriate adjustments

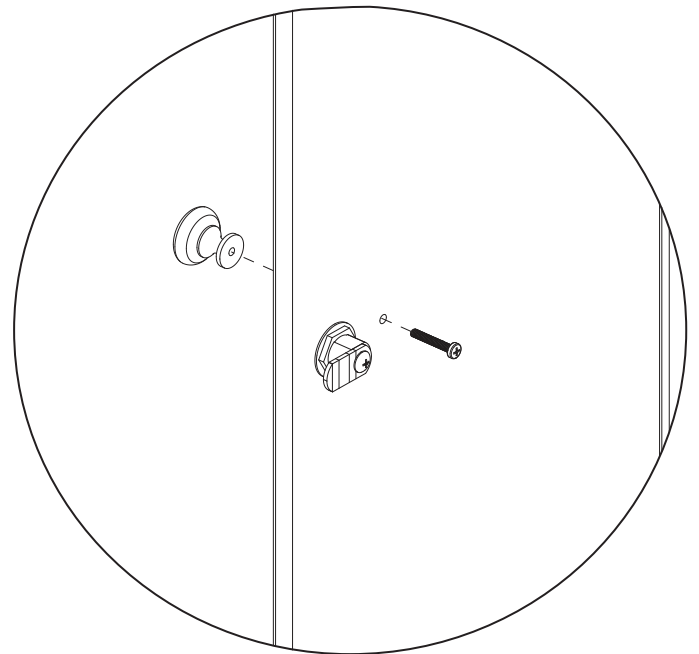
- ① Side Adjustment: Adjusts horizontal placement of door. Adjusts door-to-door gap
- Rotate screw clockwise or counterclockwise (+/-0.06 in) [+/-1.5 mm]
- ② Height Adjustment: Adjusts vertical height of door
- Loosen to align door, then tighten (+/-0.08 in) [+/-2 mm]
- ③ Depth Adjustment: Adjusts the space between the door and the face of the frame of credenza
- Achievable through cam adjustment (+0.1/-0.02 in) [+2.5/-0.5 mm]

HANDLE/KNOB INSTALLATION

Depending on credenza style (traditional or contemporary), handles and knobs are installed into pre-drilled holes shown in the figures provided. **(FIGURE F)**



(Contemporary Handle - 2 screws)

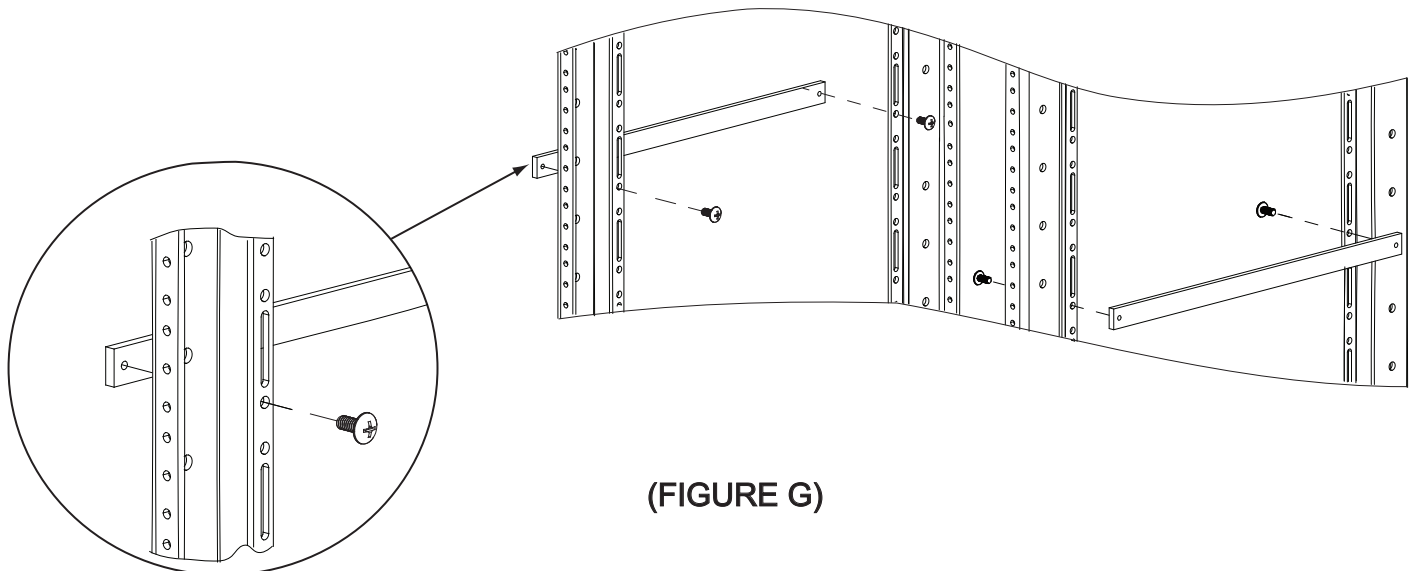


(Traditional Knob - 1 screw)

(FIGURE F)

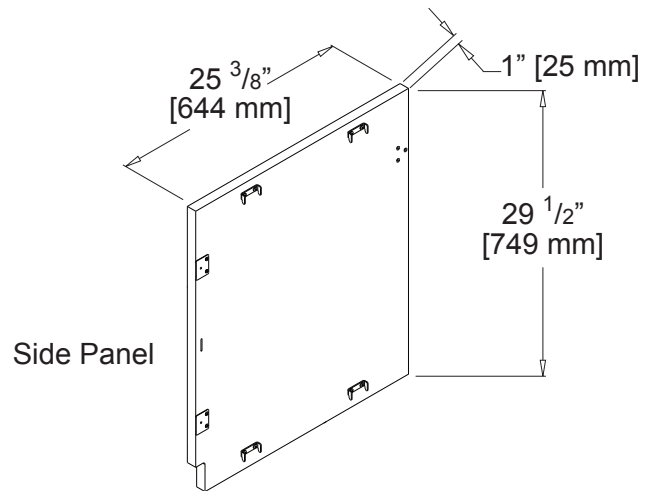
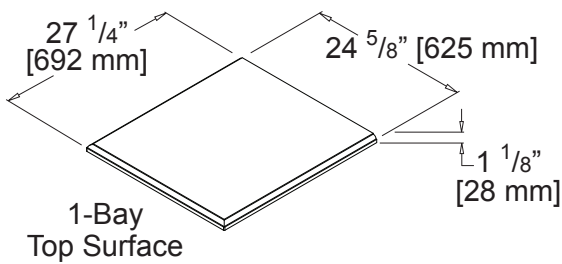
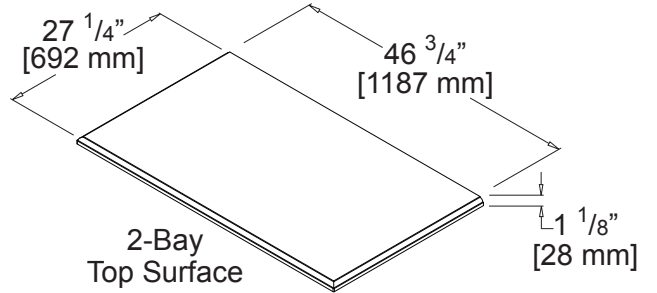
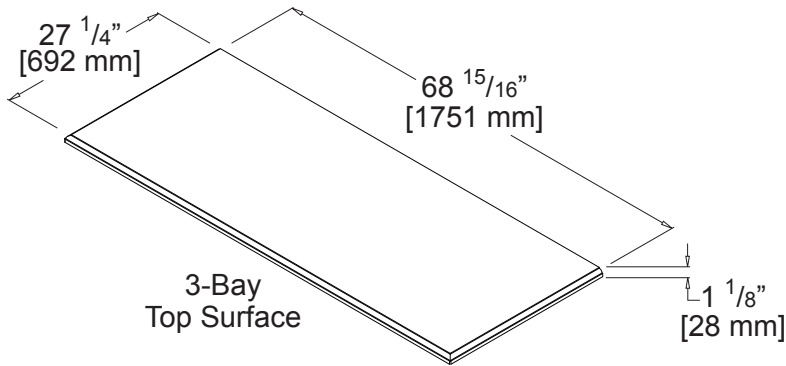
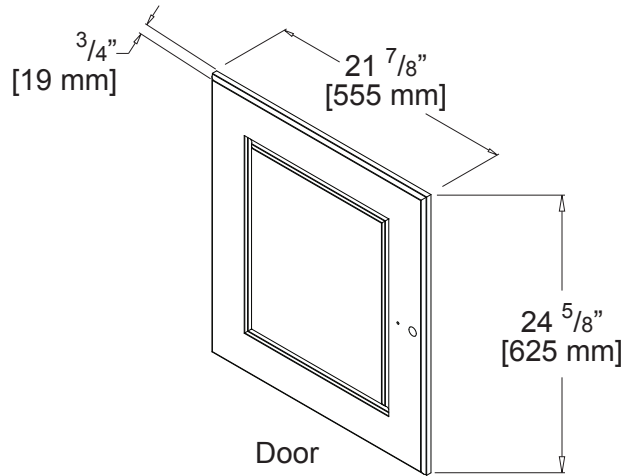
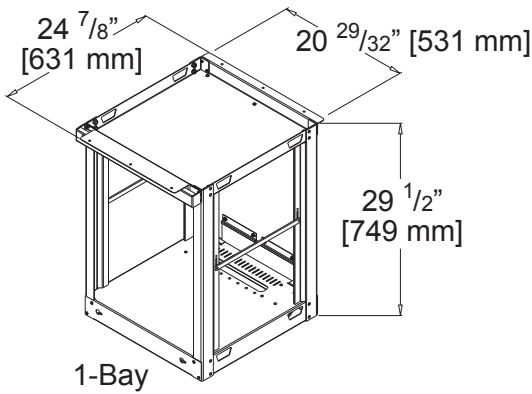
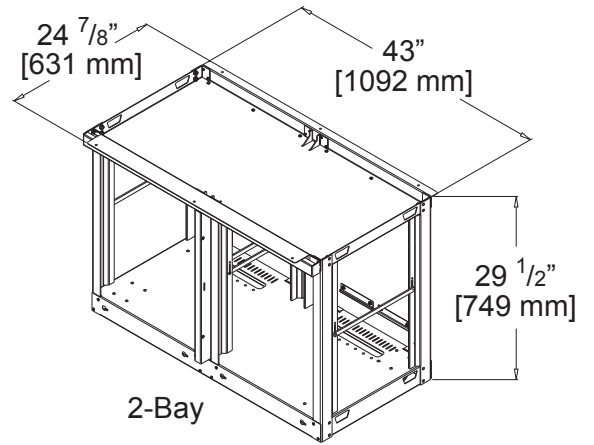
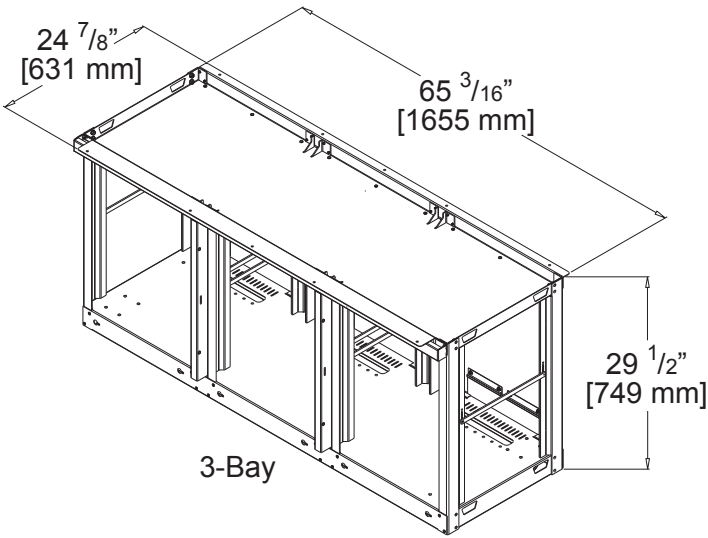
LACER BAR RELOCATION

Pre-installed Lacer Bars can be relocated on frame by removing screws as shown. **(FIGURE G)**



(FIGURE G)

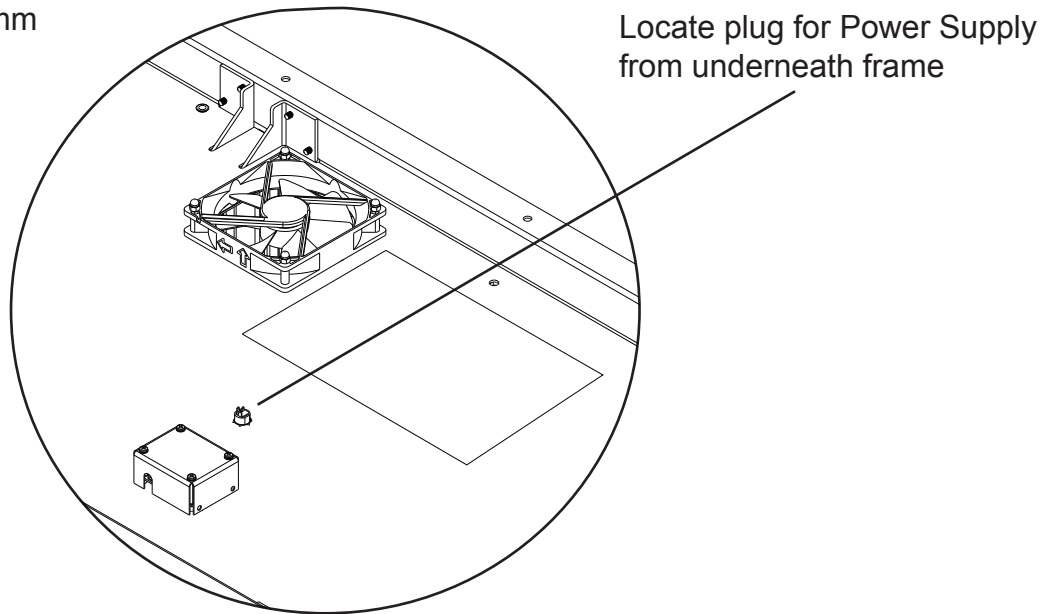
DIMENSIONS



FAN NOTES

WARNING: TOP RACK SPACE HAS ONLY 10 5/8 INCH [269 mm] USEABLE DEPTH BEFORE INTERFERENCE WITH FANS OCCURS.

- Thermostatically Controlled fans turn on when inside Credenza temperature reaches 87° F/30.5° C, and turn off at 85° F/29.4° C.
- Cool air is pulled from under the front doors, and exits through the front vent.
- When integrating frame, each bay must have at least a 1 space vent panel or opening for proper air management.
- Power Supply for Fans:
Nominal Output Voltage: 7.5 VDC
Max Current: 800 mA
Input Voltage: 100-240 VAC, 60 Hz, 200 mA
Plug Type: 4.75 x 1.7 x 9.5mm



WARRANTY

Middle Atlantic Products, Inc. (the "Company") warrants the C5 Credenza Frame to be free from defects in material or workmanship under normal use and conditions for the lifetime of the product, the Cladding for (7) seven years, and the Fans for (3) three years from the date of shipment by the Company.

The Company's entire liability to the purchaser, and the purchaser's (or any other party's) sole and exclusive remedy, under this warranty shall be limited, at the Company's option, to either (a) return of and refund of the price paid for, or (b) repair or replacement at the Company's factory of the products purchased, or any part or parts thereof, which the Company has determined to be defective after inspection thereof at the Company's factory. This warranty does not cover damage due to acts of God, accident, misuse, abuse or negligence by parties other than the Company, or any modification or alteration of the products. In addition, this warranty does not cover damage due to improper handling, assembly, installation or maintenance.

THIS WARRANTY IS IN LIEU OF ALL OTHER WARRANTIES OF ANY KIND, EITHER EXPRESSED OR IMPLIED, INCLUDING, BUT NOT LIMITED TO, IMPLIED WARRANTIES OF MERCHANTABILITY AND FITNESS FOR A PARTICULAR PURPOSE.

TO THE MAXIMUM EXTENT PERMITTED BY APPLICABLE LAW, IN NO EVENT SHALL THE COMPANY BE LIABLE FOR ANY SPECIAL, INCIDENTAL, INDIRECT, OR CONSEQUENTIAL DAMAGES WHATSOEVER (INCLUDING, WITHOUT LIMITATION, DAMAGES FOR LOSS OF BUSINESS PROFITS, BUSINESS INTERRUPTION OR ANY OTHER PECUNIARY LOSS) ARISING OUT OF THE USE OF THE PRODUCTS PURCHASED, EVEN IF THE COMPANY HAS BEEN ADVISED OF THE POSSIBILITY OF SUCH DAMAGES. THE COMPANY'S LIABILITY TO THE PURCHASER (OR ANY OTHER PARTY) HEREUNDER, IF ANY, SHALL IN NO EVENT EXCEED THE PURCHASE PRICE OF THE PRODUCTS PAID TO THE COMPANY.

Corporate Headquarters

Corporate Voice 973-839-1011 - Fax 973-839-1976 / International Voice +1 973-839-8821 - Fax +1 973-839-4982
middleatlantic.com - info@middleatlantic.com

Middle Atlantic Canada

Voice 613-836-2501 - Fax 613-836-2690 / middleatlantic.ca - customerservicecanada@middleatlantic.ca

Factory Distribution

USA: NJ - CA - IL Canada: ON - BC

At Middle Atlantic Products we are always listening. Your comments are welcome.

Middle Atlantic Products is an ISO 9001 and ISO 14001 Registered Company.



30% Recycled Paper

