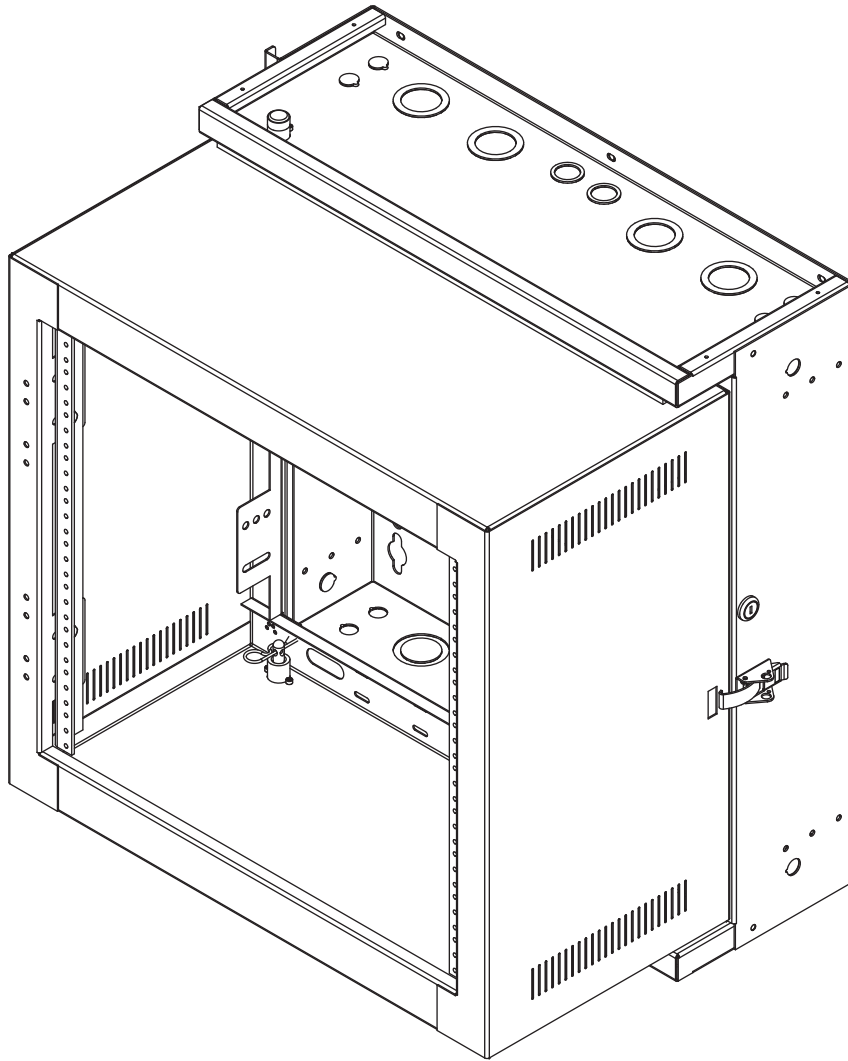


INSTRUCTION SHEET
EWR SERIES
EWR WALL CABINET



THANK YOU

Thank you for purchasing the EWR Wall Cabinet. Please read these instructions thoroughly before installing / assembling this product.

PRODUCT FEATURES

- Ideal for both secure and non-secure areas
- Tool-free Quick-Mount™ system for easy one-person mounting of the center section to the backpan
- Vented center section enables the effective passive thermal management

IMPORTANT SAFETY INSTRUCTIONS

- Read these instructions.
- Keep these instructions.
- Heed all warnings.
- Follow all instructions.
- Clean only with dry cloth.
- Only use attachments/accessories specified by the manufacturer.



WARNING: A WARNING ALERTS YOU TO A SITUATION THAT COULD RESULT IN SERIOUS PERSONAL INJURY OR DEATH.



CAUTION: A CAUTION ALERTS YOU TO A SITUATION THAT MAY RESULT IN MINOR PERSONAL INJURY OR DAMAGE TO THE PRODUCT AND / OR PROPERTY.

NOTE: A NOTE IS USED TO HIGHLIGHT PROCEDURES PERTAINING TO THE INSTALLATION, OPERATION OR MAINTENANCE OF THE PRODUCT.

IMPORTANT WARNINGS AND CAUTIONS!



WARNING! Failure to read, understand and follow the following information can result in serious personal injury, damage to the equipment or voiding of the warranty.



CAUTION: All installation and assembly steps must be performed by qualified personnel.



CAUTION: Ensure that the wall/floor has a structural load capacity that will support the weight of the cabinet fully loaded with equipment.



CAUTION: Some parts of the enclosure system may not be effectively bonded to the Protective Earth Terminal (PET). If these parts need to be bonded to the PET it should be done in accordance with Article 250 of the National Electrical Code.



CAUTION: Power cord(s), for fans or other accessories, need to be secured to ensure that they are routed away from pinch points and moving parts.



CAUTION: Do not attempt to unload or move the enclosures alone. Make sure to have sufficient amount of personnel and equipment to safely move this product.



CAUTION: The following parts are not effectively bonded to the protective earth terminal: Rackrails, lace bars, Lever Lock™, shelving, baffles, blank panels, and cable management equipment. If any part needs to be bonded to the protective earth terminal it shall be done in accordance with Article 250 of the National Electrical Code.



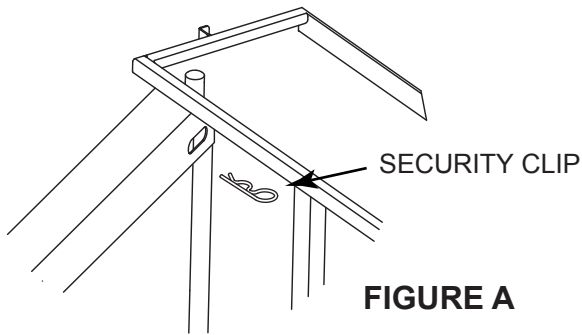
CAUTION: TO REDUCE THE RISK OF PERSONAL INJURY AND CONFORM TO THE UL LISTING THESE MOUNTING INSTRUCTIONS MUST BE FOLLOWED AND PROPER WEIGHT CAPACITY MUST BE OBSERVED (SEE CHART BELOW). AS A GENERAL RULE, HEAVIER EQUIPMENT SHOULD BE PLACED TOWARDS THE BOTTOM OF THE RACK.

PART NUMBER	# OF MOUNTING HOLES	MAXIMUM WEIGHT CAPACITY
EWR-8-XX	4	150 lbs.
EWR-10-XX	4	150 lbs.
EWR-12-XX	4	150 lbs.
EWR-16-XX	4	150 lbs.

INSTALLATION

- 1) Remove security clips located at top and bottom of unit. **(FIGURE A)**

NOTE: EWR center section can be opened from left-to-right or vice versa depending on how backpan is installed.

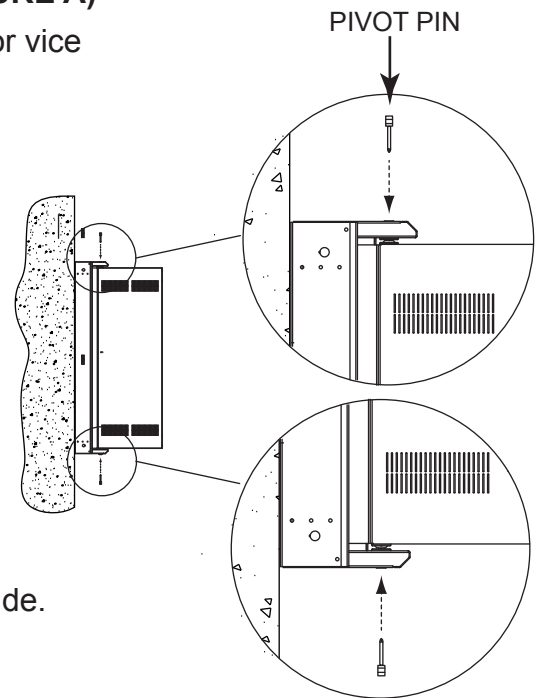


- 2) Remove pivot pins located at the top and bottom of backpan. **(FIGURE B)**

- 3) Separate backpan from center section and determine hinge side.

- 4) If mounting to backpan to wood framed wall, secure two (2) 3/4" plywood sheets directly to wall studs. **(FIGURE C)**

NOTE: A minimum 4" clearance above and below rack is required.



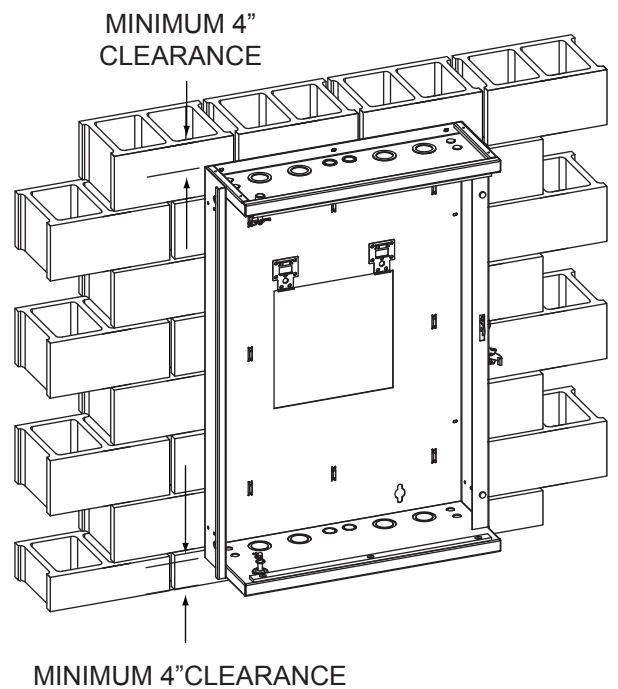
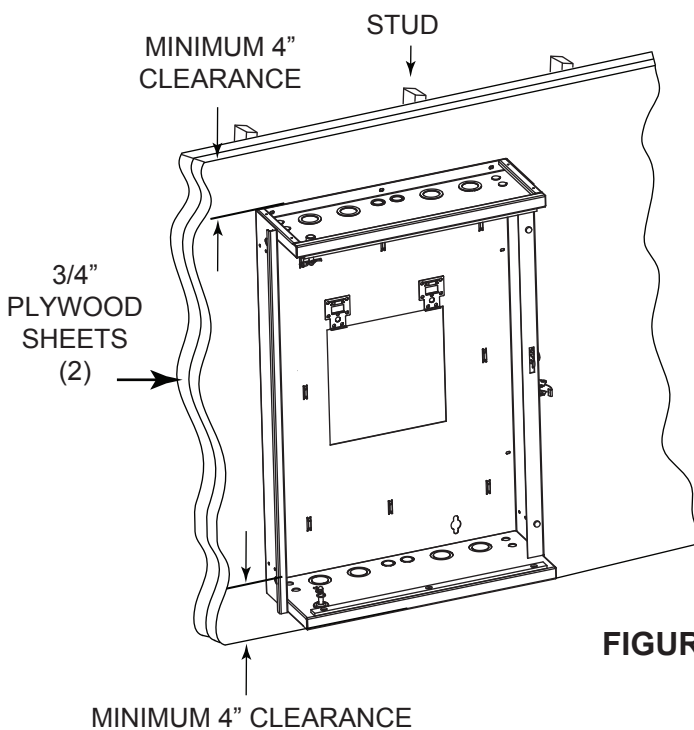
- 5) Using 3/8" toggle bolts and standard flat washers, mount backpan to plywood. **(FIGURE C)**

NOTE: Unit must be installed plumb and level.

NOTE: All mounting holes must be used.

NOTE: The mounting methods outlined below can be used for all model EWRs.

NOTE: EWR can be mounted to block wall. (Installation not evaluated by UL)



INSTALLATION (Continued)

- 6) Align bottom of center section with lower pivot bushing on backpan. **(FIGURE D)**
- 7) Pivot top of center section into backpan and align with upper pivot bushing. **(FIGURE D)**
- 8) Insert pivot pin into upper bushing, hand tighten fully and then back out one turn. Repeat for lower bushing.
- 9) Install the security clips to prevent removal of pivot pins from exterior of enclosure. **(FIGURE A)**

NOTE: When installing front door, factory rackrail setback will be 1-1/2" to the inside of the door. The lock and handle located at the center of the door will have an additional setback of 1/2". Please adjust rackrail accordingly before installing equipment.

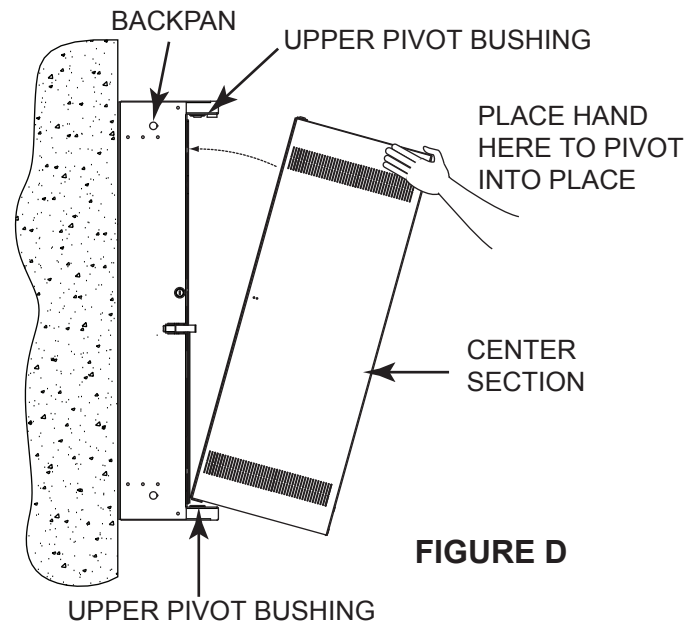
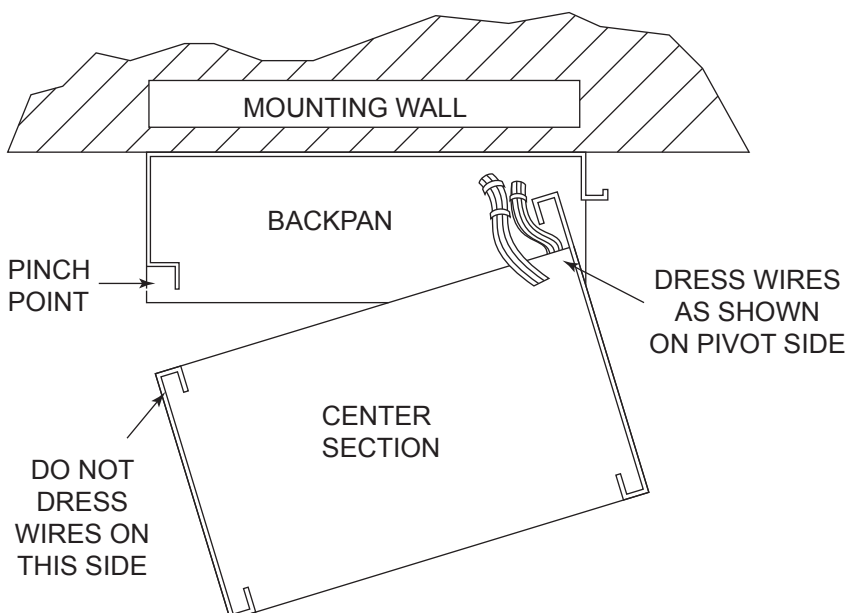


FIGURE D

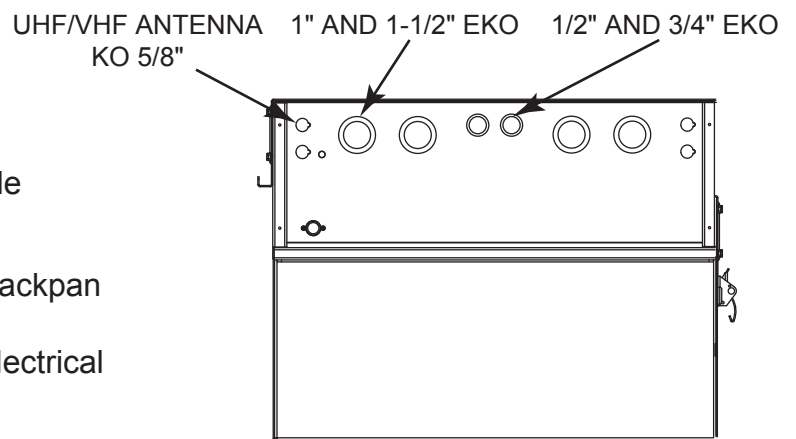
CABLE MANAGEMENT

- Slots are provided on top and bottom of center section for hook and loop.
- Bridge lances are provided on backpan for cable management.
- 10-1/2" x 10-1/2" opening in the center of the backpan for large electrical boxes. **(FIGURE X)**
- Knockouts are provided in the top/bottom for electrical fittings, UHF/VHF antennae & cable entry.

UHF/VHF ANTENNA 1" AND 1-1/2" EKO 1/2" AND 3/4" EKO KO 5/8"



DRESS WIRES AS SHOWN ON PIVOT SIDE



TOP VIEW

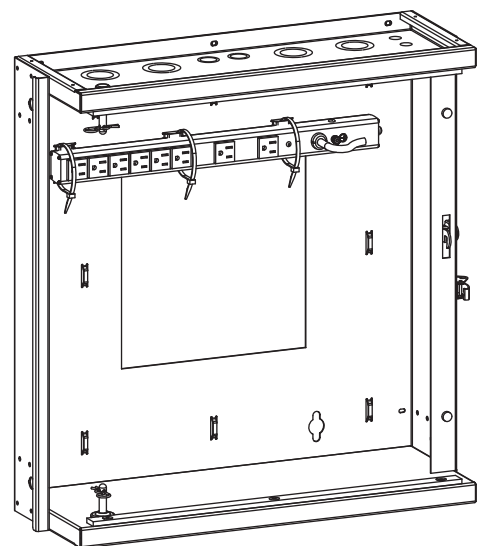



FIGURE D

POWER STRIP INSTALLATION

NOTE: For mounting PD-815SC / PD-815SC-NS Slim Power Strip, wire tie to bridge lances. **(FIGURE D)**

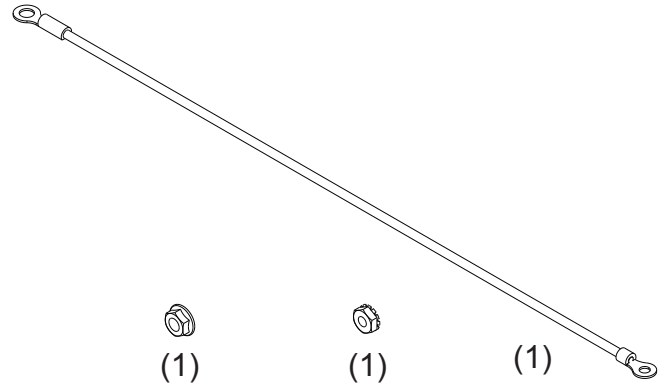
GROUNDING AND BONDING

Protective Earth Terminals (PET) are located in backpan of the wall rack. These terminals are marked with the symbol . Wall rack parts, center section and door, contain or are provided with bonding points for connection to the backpan / PET. Protective earth and bonding connections shall be in accordance with Article 250 of the National Electric Code.

OPTIONAL PROTECTIVE EARTH TERMINAL KIT: #PET-K-D/EWR

PARTS LIST

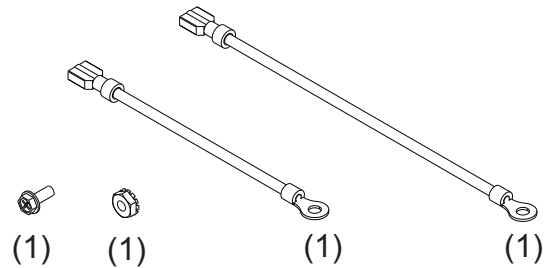
	<u>QTY</u>
• Backpan bonding wire [12 Gauge Wire (#10 ring terminal to 1/4" ring terminal) 14"]	(1)
• Flange Nut 1/4-20	(1)
• Locking Nut 10-32	(1)



OPTIONAL PROTECTIVE EARTH TERMINAL KIT: #PET-K-D/EWRD

PARTS LIST

	<u>QTY</u>
• Door bonding wire [12 Gauge Wire (#10 ring terminal to male disconnect) 6"]	(1)
• Door bonding wire [12 Gauge Wire (#10 ring terminal to female disconnect) 4"]	(1)
• Thread forming screw M4 x .7	(1)
• Locking Nut 10-32	(1)

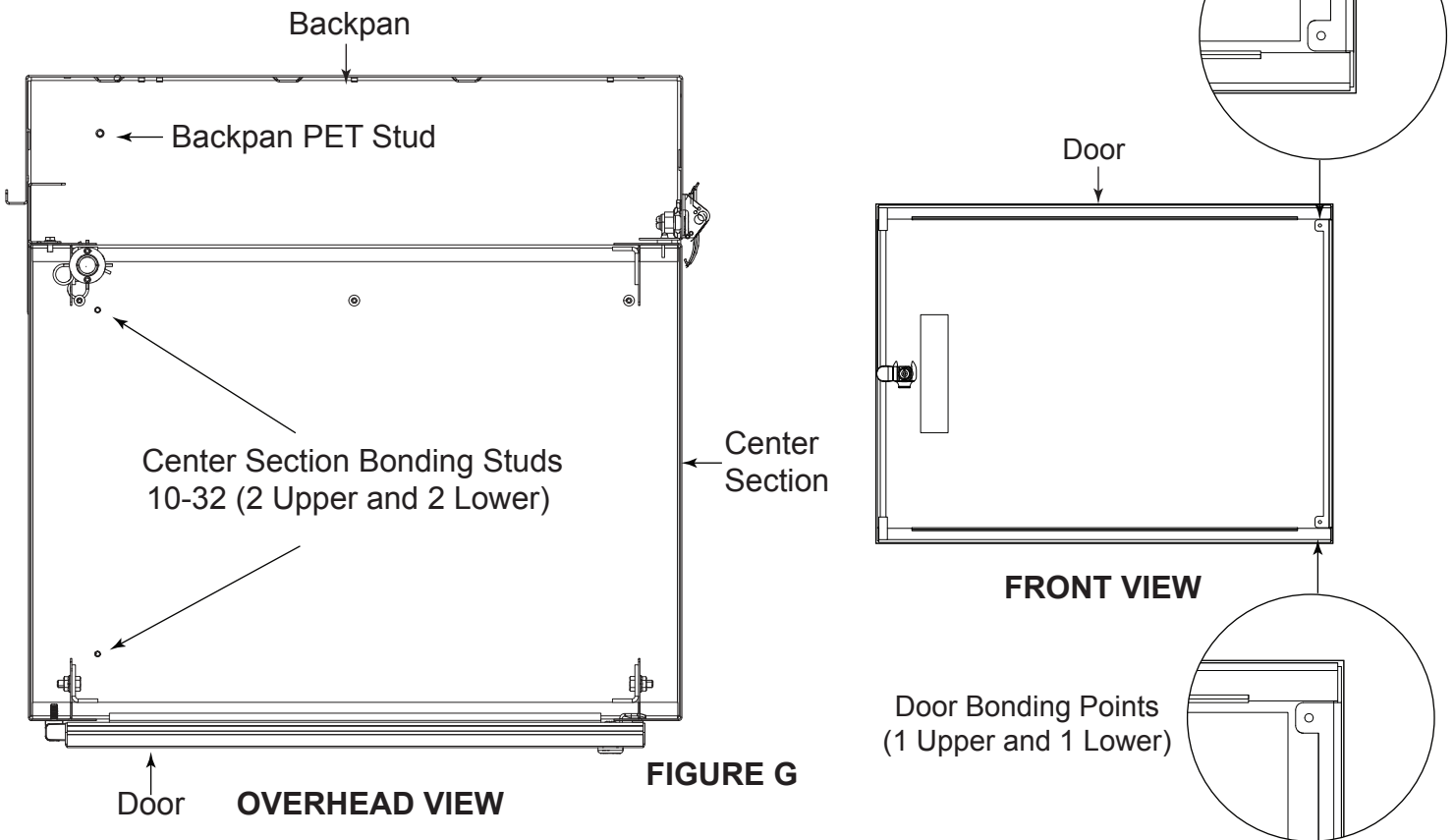


GROUNDING AND BONDING

- 1) Attach **backpan bonding wire** from 1/4"-20 backpan protective earth terminal (PET) to nearest center section bonding stud (10-32) using hardware provided. **(FIGURE G)**

NOTE: The main protective earth ground needs to be the first terminal placed on the PET and this terminal needs to be secured on its own with a nut. The bonding wire for the center section can be added to the PET after securing the nut for the main ground. **(FIGURE G)**

- 2) **FOR OPTIONAL DOOR:** Attach **door bonding wire** (with male or female disconnect end) to door bonding point with self-tapping screw (included). **(FIGURE G)**
- 3) Attach remaining door bonding wire to nearest center section bonding stud (10-32) using hardware provided. **(FIGURE G)**
- 4) Connect male and female ends of door bonding wire set.





Middle Atlantic Products

what great systems are built on™

middleatlantic.com ■ 800.266.7225

WARRANTY

Middle Atlantic Products (the "Company") warrants the EWR Series EWR Wall Cabinet to be free from defects in material or workmanship under normal use and conditions for the lifetime of the product.

The Company's entire liability to the purchaser, and the purchaser's (or any other party's) sole and exclusive remedy, under this warranty shall be limited, at the Company's option, to either (a) return of and refund of the price paid for, or (b) repair or replacement at the Company's factory of the products purchased, or any part or parts thereof, which the Company has determined to be defective after inspection thereof at the Company's factory.

This warranty does not cover damage due to acts of God, accident, misuse, abuse or negligence by parties other than the Company, or any modification or alteration of the products. In addition, this warranty does not cover damage due to improper handling, assembly, installation or maintenance.

THIS WARRANTY IS IN LIEU OF ALL OTHER WARRANTIES OF ANY KIND, EITHER EXPRESSED OR IMPLIED, INCLUDING, BUT NOT LIMITED TO, IMPLIED WARRANTIES OF MERCHANTABILITY AND FITNESS FOR A PARTICULAR PURPOSE.

TO THE MAXIMUM EXTENT PERMITTED BY APPLICABLE LAW, IN NO EVENT SHALL THE COMPANY BE LIABLE FOR ANY SPECIAL, INCIDENTAL, INDIRECT, OR CONSEQUENTIAL DAMAGES WHATSOEVER (INCLUDING, WITHOUT LIMITATION, DAMAGES FOR LOSS OF BUSINESS PROFITS, BUSINESS INTERRUPTION OR ANY OTHER PECUNIARY LOSS) ARISING OUT OF THE USE OF THE PRODUCTS PURCHASED, EVEN IF THE COMPANY HAS BEEN ADVISED OF THE POSSIBILITY OF SUCH DAMAGES. THE COMPANY'S LIABILITY TO THE PURCHASER (OR ANY OTHER PARTY) HEREUNDER, IF ANY, SHALL IN NO EVENT EXCEED THE PURCHASE PRICE OF THE PRODUCTS PAID TO THE COMPANY.

Corporate Headquarters

Corporate Voice 973-839-1011 - Fax 973-839-1976 / International Voice +1 973-839-8821 - Fax +1 973-839-4982
middleatlantic.com - info@middleatlantic.com

Middle Atlantic Canada

Voice 613-836-2501 - Fax 613-836-2690 / middleatlantic.ca - customerservicecanada@middleatlantic.ca

Factory Distribution

USA: NJ - CA - IL Canada: ON - BC

At Middle Atlantic Products we are always listening. Your comments are welcome.

Middle Atlantic Products is an ISO 9001 and ISO 14001 Registered Company.