

# Dual Mount EV Series Pedestal System

## Side to Side with Retractable Cord Management



**MULTI-FAMILY**  
Apartments, condos  
and other MDUs



**WORKPLACE**  
Office buildings or  
corporate campuses



**PUBLIC**  
Retail and other  
public sites



**FLEET**  
Charging your  
electric fleet

### EV Series Level 2 AC Electric Vehicle Charging Stations:

Charge any battery-electric\* or plugin hybrid vehicle up to 3X faster than other Level 2 chargers<sup>‡</sup>

- Three output options:  
32 A, 48 A and 80 A with 208/240 VAC
- Industry Standard SAE J1772 connector with 18' cable
- UL / Energy Star Certified
- Optional access control via RFID cards
- Optional My Leviton Wi-Fi app control

### Dual Mount Pedestal System:

Allows for two electric vehicle charging stations to be mounted side by side on a freestanding pedestal to save installation cost, space and time

- Retractable cord management helps keeps charging cable off the ground
- Compliant with Americans with Disabilities Act (ADA) recommended charge connect height of less than 48" and greater than 24"
- For use only with Leviton EV Series chargers: EV320, EV32W, EV480, EV48W, EV800, EV80W

**NOTES:**

\* Including Tesla with a Tesla-supplied adaptor.

‡ Level 2 assumes 6.6 kW charging power as per the AFDC.Energy.Gov. The EV Series can go up to 19.2 kW of charging power. Charging time may vary depending on the vehicle and battery capacity. Please visit the documents section on [leviton.com/evrgreen](http://leviton.com/evrgreen) for more information.

# Ordering Information



ALL LEVITON EV CHARGERS ARE ENERGY STAR & UL CERTIFIED



**EV320, EV480, EV800** — No App Capabilities

**EV32W, EV48W, EV80W**

EV Chargers with Wi-Fi and My Leviton App Compatibility

- View charging station status, fault notifications, and more!
- My Leviton app control can include electric vehicle charging, lighting and load centers



EV CHARGERS	EV320	EV32W	EV480	EV48W	EV800	EV80W	
	Amperage	32 A		48 A		80 A	
	Breaker	40 A		60 A		100 A	
	Voltage	208/240 VAC					
	Charge Connector Cord	#10 AWG SAE J1772		#7 AWG SAE J1772		#6 AWG SAE J1772	
	Station Operating Temp.	-30 °C to 50 °C (-22 °F to 122 °F)					
	Enclosure Rating	NEMA Type 3R for both Indoor/Outdoor Use					
	Charging Cable Length	18 ft. (5.5 m)					
	Standards & Certification	UL2594, UL 2231-1, UL 2231-2, UL 2251, UL 62, UL 991, UL 1998, NFPA 70 Article 625, UL840, CSA Std. C22.2#280					
	Access Control	All stations come with optional access control via RFID cards					
Warranty	2-Year Limited						

**Dual Mount Pedestal, Side/Side with Retractable Cord Management**

FULL PEDESTAL IS MADE OF THE FOLLOWING PARTS - ALL 3 MUST BE PURCHASED TOGETHER

Pedestal Body	<b>EPCM1-OF3</b>
Mounting Template	<b>EPCM2-OF3</b>
Retractable Cord Management System	<b>EPCM3-OF3</b>



### ADDITIONAL PEDESTAL OPTIONS

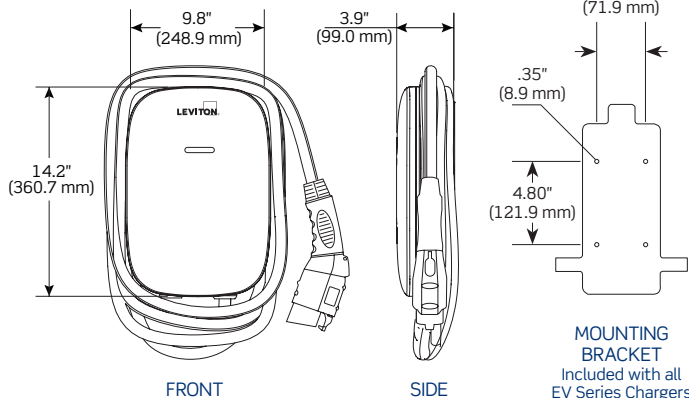
#### Single or Dual Mount Pedestals

Single Mount Pedestal	<b>EPED1</b>
Dual Mount Pedestal, Front/Back	<b>EPED2</b>
Wall Hook	<b>EHOOK</b>

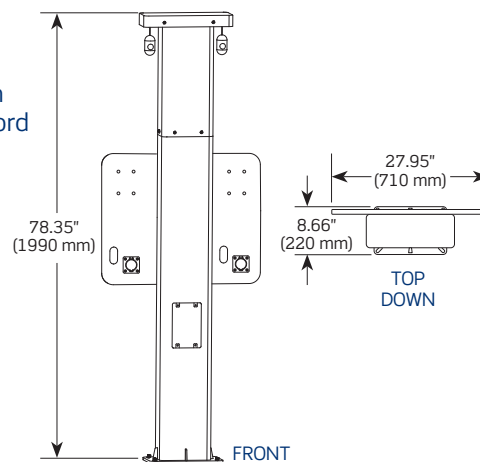


## Dimensions

### All EV Series Chargers



### Dual Mount Pedestal, Side/Side with Retractable Cord Management



Visit our Website at:  
[www.leviton.com/evgreen](http://www.leviton.com/evgreen)  
 email: [commercial@leviton.com](mailto:commercial@leviton.com)  
 Q-1478

Leviton Manufacturing Co., Inc.  
 201 N Service Rd, Melville, NY 11747  
 Telephone: 1-800-323-8920 • FAX: 1-800-832-9538  
 Tech Line: 1-800-824-3005 (M-F 8AM-10PM; Sat 9AM-7PM; Sun 9AM-5PM)  
 © 2023 Leviton Manufacturing Co., Inc. All rights reserved.

