

WR Series

roll out rotating system in steel host enclosure

factory-assembled in its own host enclosure and allows entire bays of equipment to be placed up against walls or back-to-back, savings six square feet of floor space per rack!

features:

- Rotating design allows enhanced access to rear equipment connections, simplifying wiring
- 26" and 36" useable depth, rack frame is housed in a 32-7/8" or 42-7/8" deep host enclosure
- Available in 44, 37 and 24 space rack frame heights
- Host enclosure can be pre-installed on-site while detachable rack frame is integrated with equipment off-site, simplifying installation
- 750 lb. weight capacity with proper weight distribution
- Effective cable management system provided. Slots in upper rack frame accommodate Velcro™ ties for additional cable management
- UL Listed in the US and Canada



specifications:

EIA compliant 19" roll out rotating system in steel host enclosure shall be Middle Atlantic Products model # WR-__-__ (refer to chart). Overall dimensions shall be 24" W x __" H x __" D (refer to chart). Rotating design of rack allows enhanced access to rear equipment connections, simplifying wiring. Rack will have a __" useable depth and the rack frame shall be housed in a __" depth host enclosure (refer to chart). Rack shall be of fully welded construction. Weight capacity shall be 750 lbs. when 1/2 of total equipment weight is mounted in lower 1/3 of the rack. Rack shall be constructed of the following materials: top and bottom (rack and outer frame) and roller carriage shall be 14-gauge steel; side panel and horizontal braces shall be 16-gauge steel. Rackrail shall be constructed of 11-gauge steel with tapped 10-32 mounting holes in universal EIA spacing with black e-coat finish and marked rackspaces. Rack shall have removable split rear knockout panels with 1/2", 3/4", 1" & 1-1/2" electrical knockouts installed in base and removable split rear knockout panels with 1/2", 3/4", 1" & 1-1/2" electrical knockouts and BNC knockouts for UHF / VHF antennae installed in top. Knockouts on sides to accommodate 4" electrical conduit and cable pass-through. Detachable rack frame allows for off-site integration. Roll out frame ships installed in rack. Rack shall be UL Listed in the US and Canada to the UL-2416 (NWIN) Category. Rack shall be GREENGUARD Gold Certified. Rack shall be manufactured by an ISO 9001 and ISO 14001 registered company. Rack shall be warrantied to be free from defects in material or workmanship under normal use and conditions for a period of three years.

Customizable specification clips available at middleatlantic.com

EIA/TIA COMPLIANT



PRODUCT CERTIFIED FOR
LOW CHEMICAL EMISSIONS
UL.COM/GG
UL 2818



PEP
ECO
PASS
PORT®

options:

- Front doors shall be 16-gauge steel and available as Model #WRFD-XX (solid), WR-PFD-XX (plexi), (X= # of rackspaces of WR Rack)
- Zero space shelf kit shall be Middle Atlantic Products # SH-WR
- Rear rail kit shall be 11-gauge, 10-32 threaded, sold in pairs, hardware included part #WR-RR-XX (XX = # of rackspaces, refer to chart)
- Top panels, 16-gauge steel, in 7 styles, model # MW-ST (solid top), # MW-LVT (64% open area top), # MW-VT (vented top), MW-10FT (10" fan), # MW-6FT (three 6" fans), # MW-4FT (four 4-1/2" fans), # MW-DT (duct cool adapter)
- Integrated fan tops shall include a proportional speed thermostatic fan control and (4) 4-1/2" quiet fans, model # MW-4QT-FC, or (1) 10" fan, model # MW-10FT-FC
- WR rear access panel shall be constructed of 18-gauge steel & shall be part # WR-RAP-XX (XX = # of rackspaces)
- Grommet ring for 4" electrical knockout in side of WR shall be part # GK4, 4 pieces
- Gland grommet for 4" electrical knockout in side of WR shall be part # GK-4G, 4 pieces

what **great systems** are built on.™

A brand of **legrand**

Middle Atlantic Products

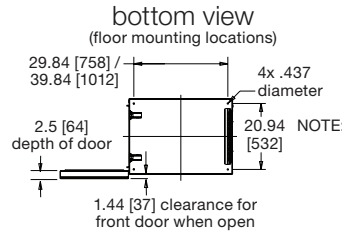
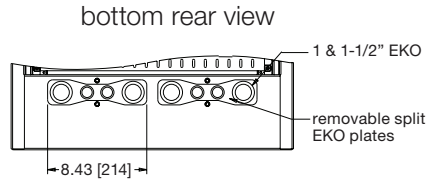
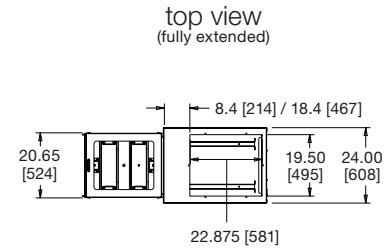
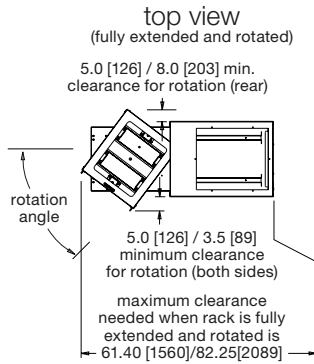
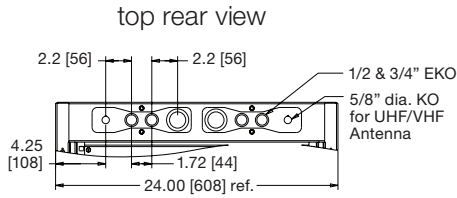
middleatlantic.com | middleatlantic.ca

96-01005 / rev h / 5-29-20

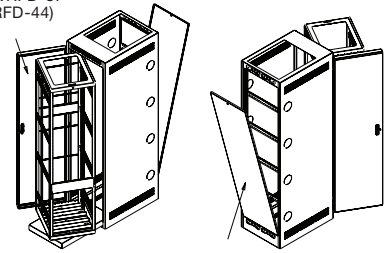
WR Series

basic dimensions

all dimensions in inches unless otherwise noted [all dimensions in brackets are in millimeters]

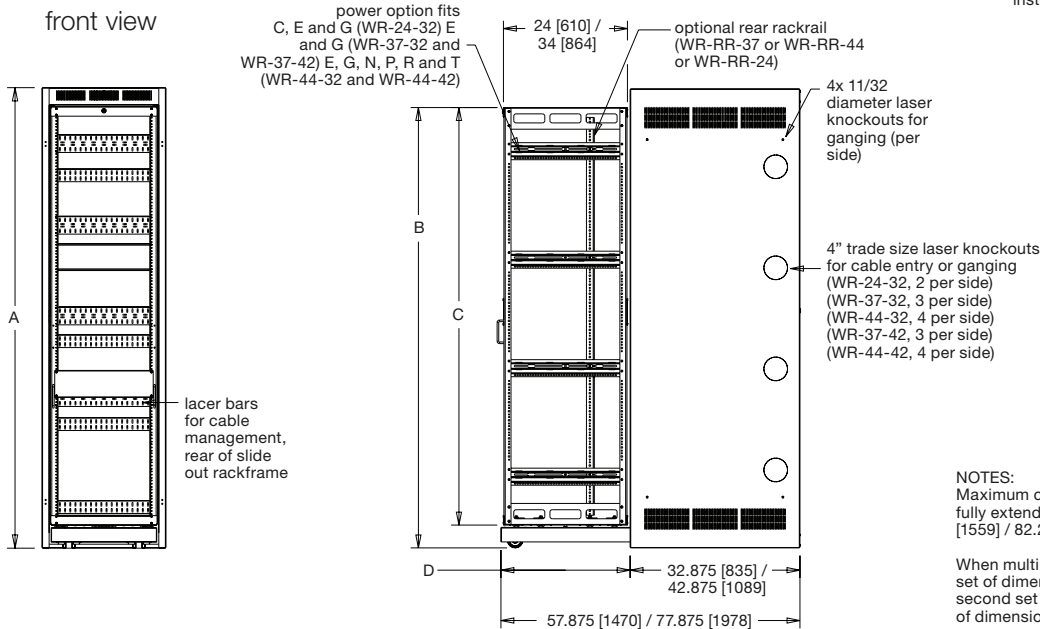


optional solid front door (WRFD-37 or WRFD-44)



optional rear access panel WR-RAP-37 or WR-RAP-24 minimum clearance to remove / install WR-RAP-XX: 2.00 (51)

front view



NOTES:
Maximum clearance needed when rack is fully extended and rotated would be 61.39 [1559] / 82.25 [2089]

When multiple dimensions are shown, first set of dimensions are for WR-XX-32 and second set are for WR-XX-42. Single set of dimensions are common to both racks

Part #	A Overall Height	B Rack Frame Height	C Useable Racking Height	D Max. Rollout	Useable Depth	Overall Depth	Rotation Angle
WR-44-32	88.86 [2257]	85.22 [2165]	77.00 [1956]	25.00 [635]	26.00 [660]	32.875 [835]	60°
WR-37-32	76.61 [1946]	73.00 [1854]	64.75 [1645]	25.00 [635]	26.00 [660]	32.875 [835]	60°
WR-24-32	53.85 [1368]	50.22 [1276]	42.00 [1067]	25.00 [635]	26.00 [660]	32.875 [835]	60°
WR-44-42	88.86 [2257]	85.22 [2165]	77.00 [1956]	35.00 [889]	36.00 [914]	42.875 [1089]	30°
WR-37-42	76.61 [1946]	73.00 [1854]	64.75 [1645]	35.00 [889]	36.00 [914]	42.875 [1089]	30°

what great systems are built on.™

A brand of **legrand**

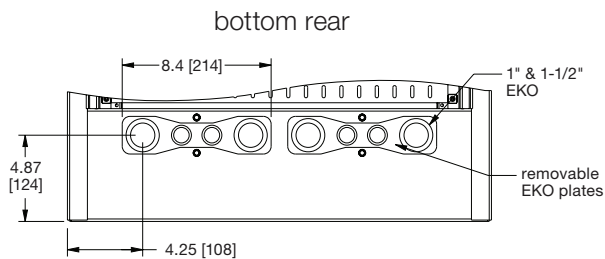
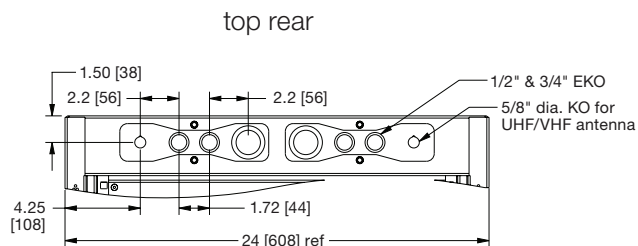
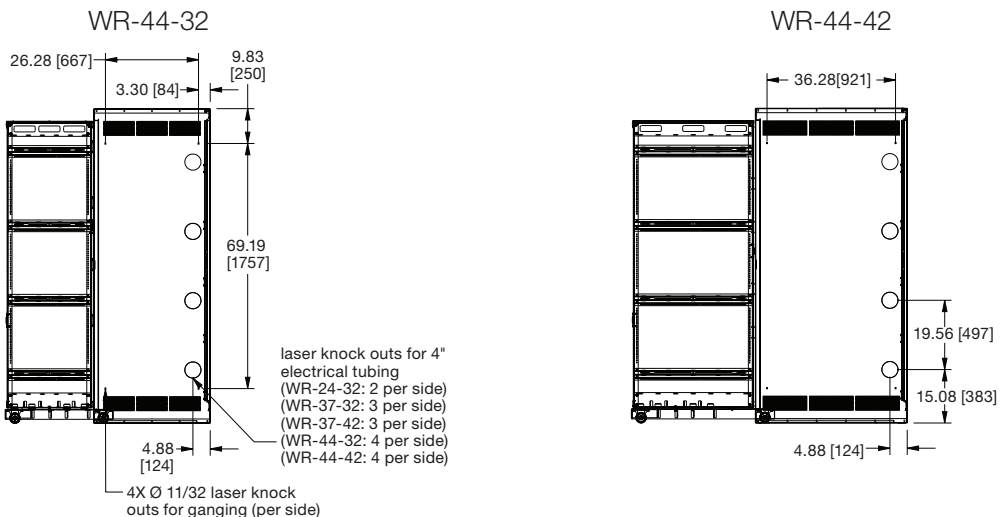
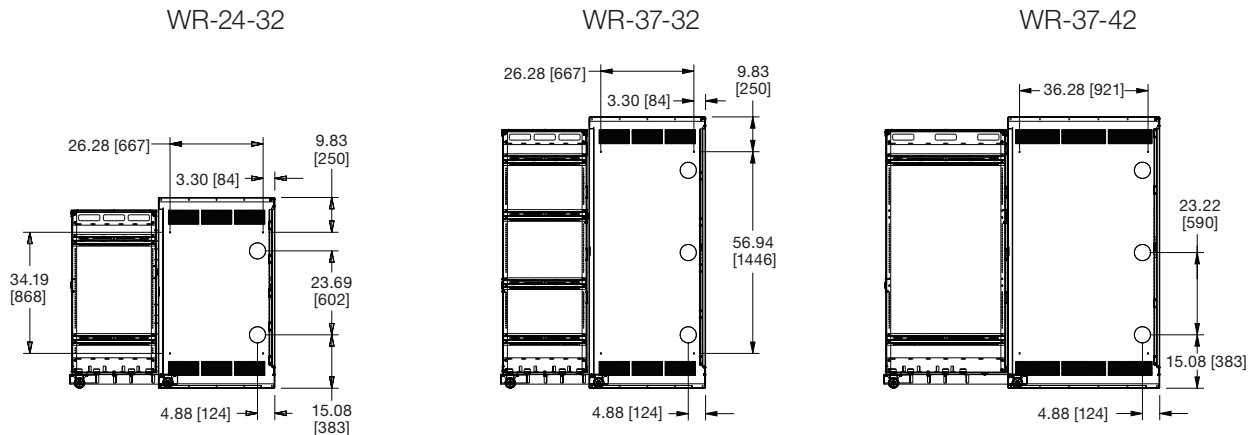
MA
Middle Atlantic Products

middleatlantic.com | middleatlantic.ca

WR Series

basic dimensions continued

all dimensions in inches unless otherwise noted [all dimensions in brackets are in millimeters]



NOTE:
 When multiple dimensions are shown, first set of dimensions are for WR-XX-32 and second set are for WR-XX-42. single set of dimensions are common to both rack depths.