

Cable Management Vertical Cable Manager Accessory S-Series Accessory

HUBBELL

Features

- Gates clip into place to constrain cable and provide ample support
- Steel construction provides ample strength for heavy cable loading



Ordering Information

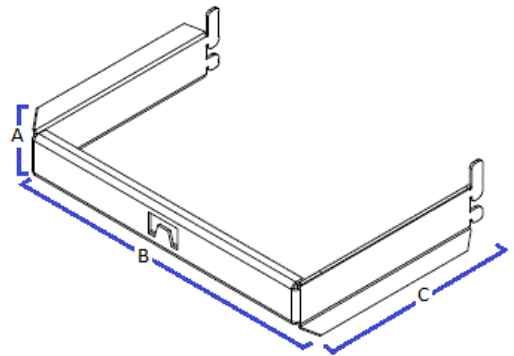
| Width | Uses Series | Catalog Number | UPC |
|-------|-------------|----------------|--------------|
| 10" | VS & VM | VCG10 | 662620248653 |

Specifications

| | |
|----------|---------------------|
| Material | Steel |
| Gauge | 14 |
| Finish | Black Powder Coated |

Characteristics

| | |
|--------------------------------|-----------------|
| Installation | Clip into place |
| Corresponding Vertical Cbl Mgr | VM Series |



Accessories

| | |
|-------------------------|------------|
| Black Velcro Roll | HVFBK575 |
| 9" Velco Strips, Yellow | MCCMV9YL10 |

Dimensions- inches (mm)

| | |
|---|------------|
| A | 1.25" (32) |
| B | 10" (254) |
| C | 3.25" (83) |

Online Resources

[eCatalog](#)