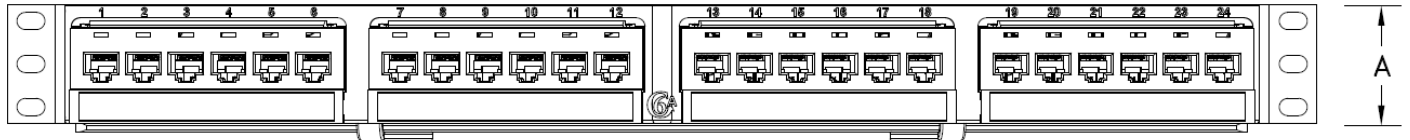




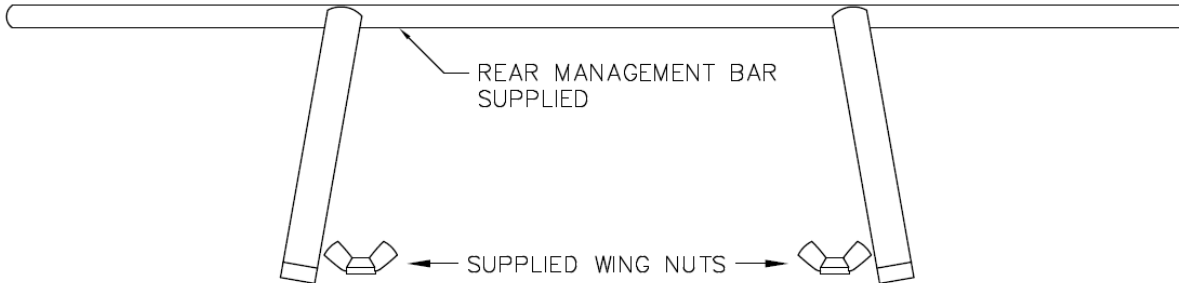
125 EUGENE O'NEILL DRIVE
 NEW LONDON, CT 06320
 TEL: 860-445-3800
 FAX: 860-405-2990

TITLE: OR-71601774
 CLARITY ANGLED & CURVED PANELS,
 CAT6A, WITH 6-PORT MODULES

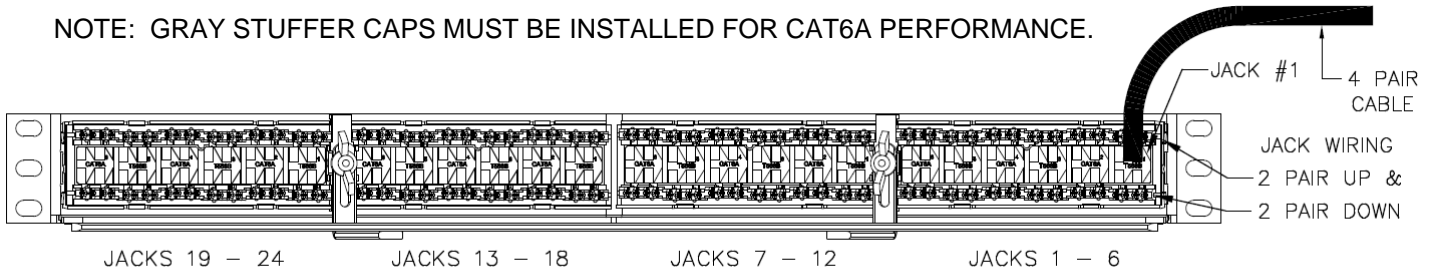
PORTS	JACK	DENSITY	WIRING	SIZE (A)	ANGLED PN# (CAT6A)	CURVED PN# (CAT6A)
24 PORT	8 POS/RJ45	HD	T568 B OR A	1.75 X 19	PHA6AU24	PHC6AU24
48 PORT	8 POS/RJ45	HD	T568 B OR A	3.50 X 19	PHA6AU48	PHC6AU48



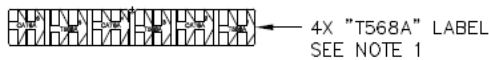
FRONT VIEW 24 PORT



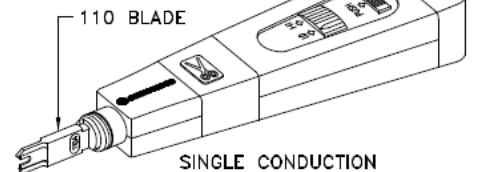
NOTE: GRAY STUFFER CAPS MUST BE INSTALLED FOR CAT6A PERFORMANCE.



REAR VIEW 24 PORT



SUGGESTED ACCESSORY TOOL

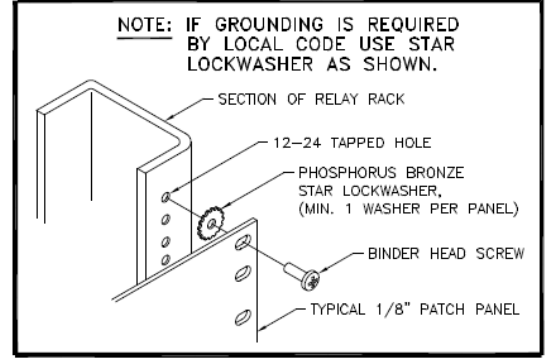
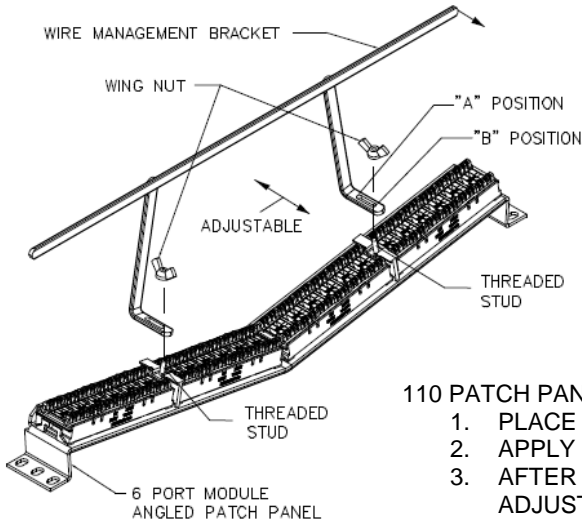


SINGLE CONDUCTION
 110 IMPACT TOOL FOR
 TERMINATION OF CONDUCTORS

OR-60300005 (TOOL)
 OR-60300006 (BLADE)

STATION CABLE COLOR CODE	T568A 8 POS. RJ45 WIRING	STATION CABLE COLOR CODE	T568B 8 POS. RJ45 WIRING	RJ45 PIN #'s	Diagram of RJ45 connector with pins 1 and 8 labeled
WHITE/BLUE	5	WHITE/BLUE	5	NOTES: 1. PANEL IS SUPPLIED WITH T568B LABEL IN PLACE. FOR T568A WIRING, ATTACH FOUR SUPPLIED T568A WIRING LABELS. 2. MAINTAIN PAIR TWIST UP TO POINT OF TERMINATION FOR MAXIMUM DATA PERFORMANCE.	
BLUE/WHITE	4	BLUE/WHITE	4		
WHITE/ORANGE	3	WHITE/ORANGE	1		
ORANGE/WHITE	6	ORANGE/WHITE	2		
WHITE/GREEN	1	WHITE/GREEN	3		
GREEN/WHITE	2	GREEN/WHITE	6		
WHITE/BROWN	7	WHITE/BROWN	7		
BROWN/WHITE	8	BROWN/WHITE	8		

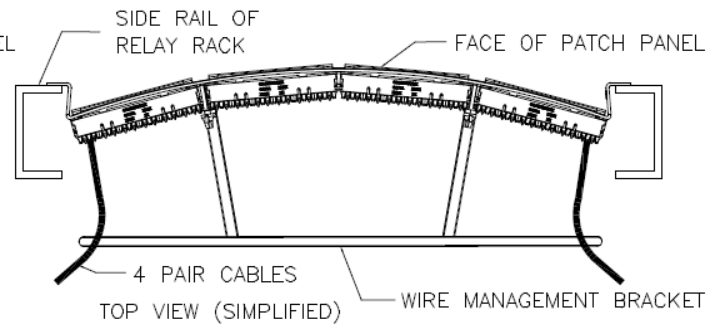
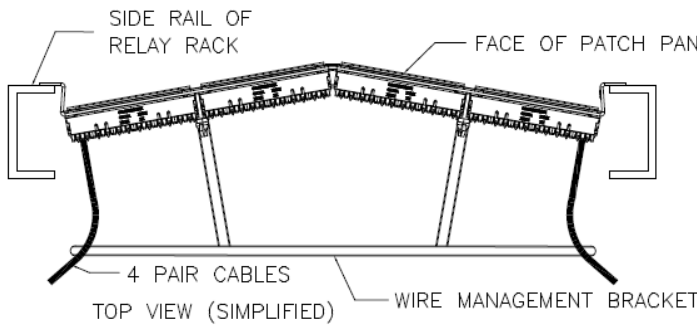
INSTRUCTION SHEET #	REV.	ECN #	SHEET	DWN. BY:	DATE	CHK. BY:	DATE	APP. BY:	DATE
OR-71601774	00		1 OF 2	K. CUPPLES	04/19/11	C.A.C./G.L.	04/19/11	W. DIETZ	04/20/11



110 PATCH PANEL INSTRUCTIONS:

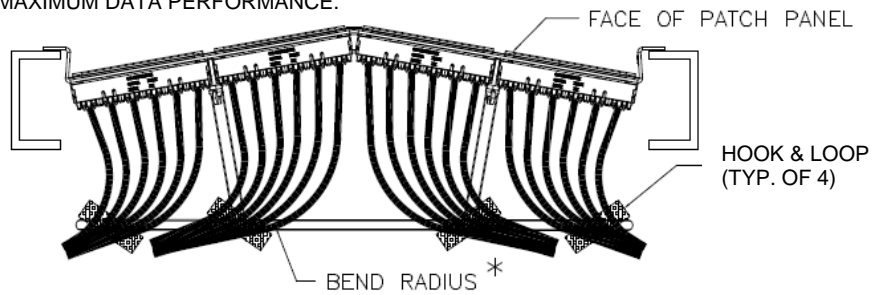
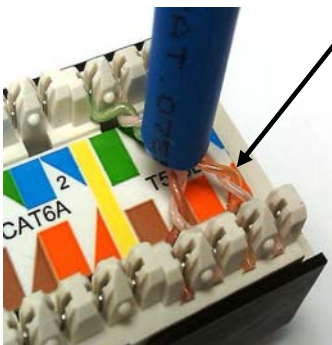
1. PLACE WIRE MANAGEMENT BRACKET OVER THREADED STUDS IN 'B' POSITION.
2. APPLY 2 WING NUTS. (TIGHTEN AS REQUIRED)
3. AFTER CABLE TERMINATION IS COMPLETED AS RECOMMENDED BELOW, ADJUST BRACKET TO 'A' POSITION.

NOTE: GRAY STUFFER CAPS MUST BE INSTALLED FOR CAT6A PERFORMANCE.

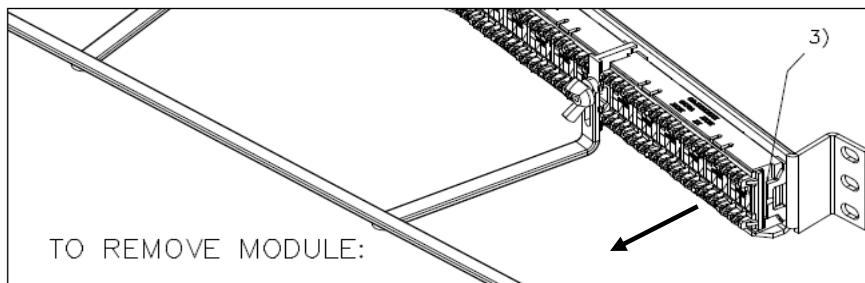


FOR OPTIMUM CABLE MANAGEMENT, THE CABLES SHOULD BE ROUTED AND TERMINATED WORKING FROM THE OUTSIDE EDGES OF THE PATCH PANEL TO THE CENTER. NOTE: THE CABLES SHOULD BE ROUTED FROM BOTH SIDES OF THE RELAY RACK RATHER THAN FROM ONE SIDE ONLY.

MAINTAIN PAIR TWIST TO WITHIN 1/2" (13MM) OF POINT OF TERMINATION FOR MAXIMUM DATA PERFORMANCE.



*THE MINIMUM CABLE BEND RADIUS IS 4 TIMES THE OUTSIDE CABLE DIAMETER. HOOK & LOOP WRAPS SHOULD BE USED TO ATTACH THE CABLE TO THE WIRE MANAGEMENT BRACKET.



- 1) REMOVE NEAREST WING NUT & WIRE MANAGER FROM STUD.
- 2) REMOVE WIRE MANAGER SLIDE GUIDE FROM STUD.
- 3) PUSH OUT BEZEL LOCKING TABS WITH SLOT PROVIDED.
- 4) WITHDRAW MODULE TO THE REAR OF THE PANEL FROM BEZEL LOCKING TABS.
- 5) REASSEMBLE IN REVERSE ORDER

INSTRUCTION SHEET #	REV.	ECN #	SHEET	DWN. BY:	DATE	CHK. BY:	DATE	APP. BY:	DATE
OR-71601774	00		2 OF 2	K. CUPPLES	04/19/11	C.A.C./G.L.	04/19/11	W. DIETZ	04/20/11