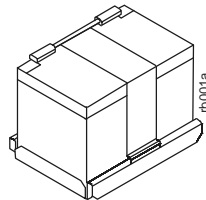
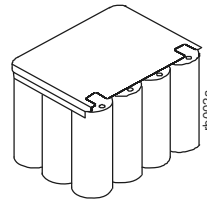


Installation Guide Smart-UPS™ APCRBC135 / APCRBC136

APCRBC135
Standard 40° C



APCRBC136
High Temperature 50° C

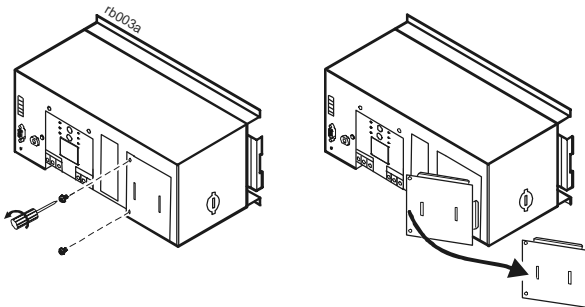


Hardwiring must be performed by qualified service personnel.

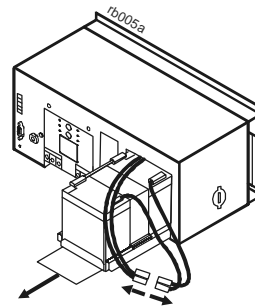
Adhere to all national and local electrical codes.

Internal Battery Installation/Replacement

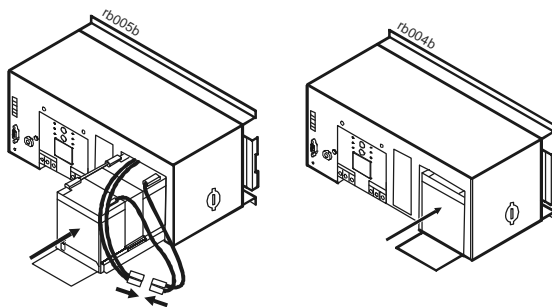
- ❶ Remove the two screws that secure the battery compartment door. Remove the door.



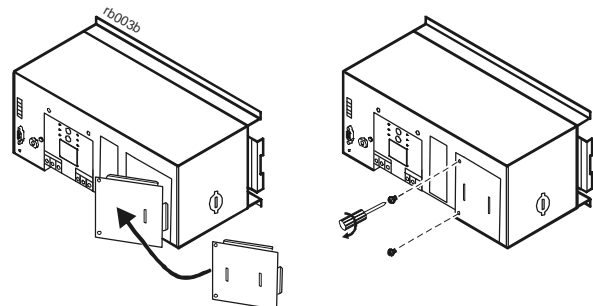
- ❷ Pull the battery out of the compartment to access the battery connectors. Disconnect the battery.



- ❸ Slide the battery part way into the UPS. Be sure the battery connectors remain outside the UPS chassis. Firmly push the two battery connectors together. Slide the battery into the UPS.



- ❹ Close the battery compartment door and secure the door with the two screws removed in step ❶.



Connect an External Battery

Remove a knockout panel

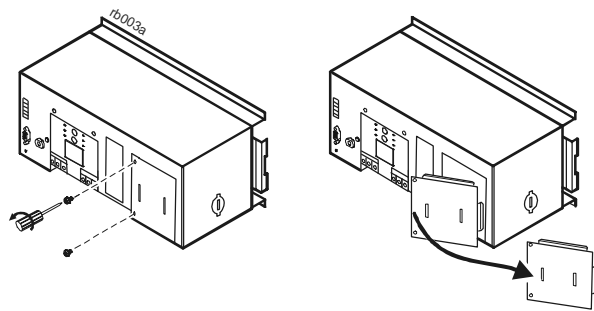
The UPS has two knockout panels located in the battery compartment. One knockout panel is in the side wall of the UPS. The other knockout panel is on the floor of the UPS.



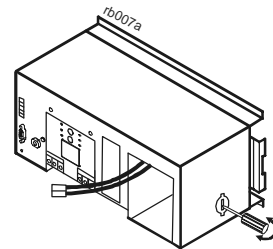
Note: According to product safety standards an internal battery can not be installed in the battery compartment if the knockout panel located on the floor of the UPS has been removed.

Refer to steps 1 and 2 on the previous page for instructions on removing the internal battery.

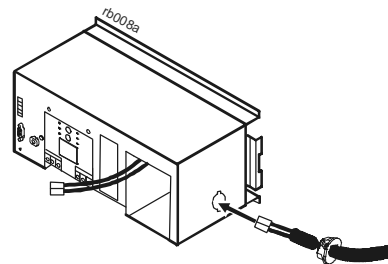
1 Remove the two screws that secure the battery compartment door. Remove the door.



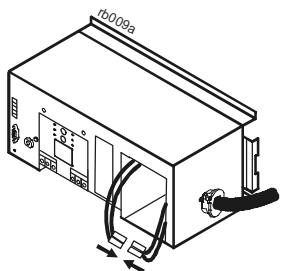
2 Remove the knockout panel that will be most convenient for connecting the external battery. Use a screwdriver to remove the knockout panel.



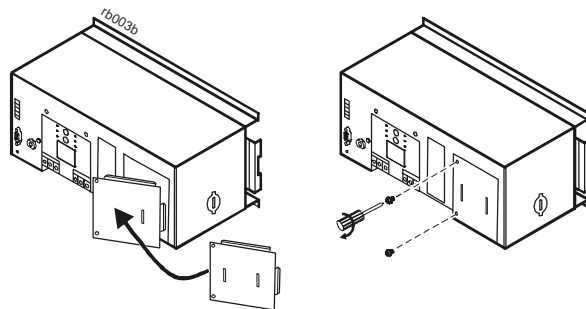
3 Locate the external battery cable and the strain relief included in the box with the battery. Clamp the strain relief on to the external battery cable. **NOTE: Once the strain relief has been clamped around the cable it can not be opened nor removed from the cable.** Slide the external battery cable through the hole in the UPS. Snap the strain relief into the hole in the UPS.



4 Firmly push the two battery connectors together. Place the battery connectors into the battery compartment.



5 Close the battery compartment door and secure the door with the two screws removed previously.



Customer support and warranty information is available at the APC Web site, www.apc.com.

© 2012 APC by Schneider Electric. APC, the APC logo, and Smart-UPS are owned by Schneider Electric Industries S.A.S., American Power Conversion Corporation, or their affiliated companies. All other trademarks are property of their respective owners.

EN 990-5210A
5/2012