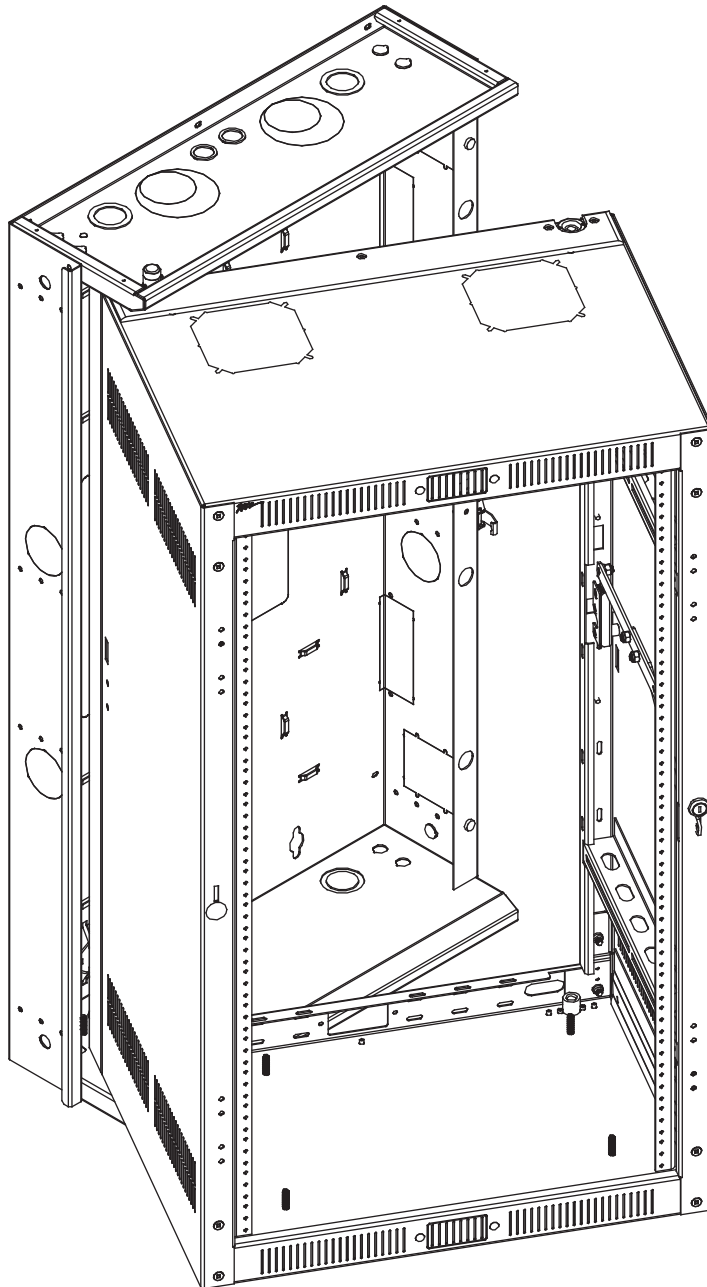


INSTRUCTION SHEET
DWR SERIES
SECTIONAL WALL MOUNT RACK



THANK YOU

Thank you for purchasing the DWR Series Sectional Wall Rack. Please read these instructions thoroughly before installing / assembling this product.

PRODUCT FEATURES

- Tool-Free Quick-Mount™ system allows easy, one person mounting of center section to backpan
- Zero Clearance Latch (Optional) allows side-by-side or interior corner mounting
- Wall mount sectional cabinet provides superior cable management

IMPORTANT SAFETY INSTRUCTIONS

- Read these instructions.
- Keep these instructions.
- Heed all warnings.
- Follow all instructions.
- Clean only with dry cloth.
- Only use attachments/accessories specified by the manufacturer.



WARNING: A WARNING ALERTS YOU TO A SITUATION THAT COULD RESULT IN SERIOUS PERSONAL INJURY OR DEATH.



CAUTION: A CAUTION ALERTS YOU TO A SITUATION THAT MAY RESULT IN MINOR PERSONAL INJURY OR DAMAGE TO THE PRODUCT AND / OR PROPERTY.

NOTE: A NOTE IS USED TO HIGHLIGHT PROCEDURES PERTAINING TO THE INSTALLATION, OPERATION OR MAINTENANCE OF THE PRODUCT.

IMPORTANT WARNINGS AND CAUTIONS!



WARNING! Failure to read, understand and follow the following information can result in serious personal injury, damage to the equipment or voiding of the warranty.



CAUTION: All installation and assembly steps must be performed by qualified personnel.



CAUTION: Ensure that the wall/floor has a structural load capacity that will support the weight of the cabinet fully loaded with equipment.



CAUTION: Some parts of the enclosure system may not be effectively bonded to the Protective Earth Terminal (PET). If these parts need to be bonded to the PET it should be done in accordance with Article 250 of the National Electrical Code.



CAUTION: Power cord(s), for fans or other accessories, need to be secured to ensure that they are routed away from pinch points and moving parts.



CAUTION: Do not attempt to unload or move the enclosures alone. Make sure to have sufficient amount of personnel and equipment to safely move this product.



CAUTION: The following parts are not effectively bonded to the protective earth terminal: Rackrails, lace bars, Lever Lock™, shelving, baffles, blank panels, and cable management equipment. If any part needs to be bonded to the protective earth terminal it shall be done in accordance with Article 250 of the National Electrical Code.



SEISMIC COMPLIANCE: AN ENGINEERED SYSTEM IS VITAL TO ACHIEVE SEISMIC RATING REQUIREMENTS. A LICENSED PROFESSIONAL ENGINEER MUST APPROVE THE TYPE OF FASTENERS FOR THE WALL WHERE THE RACK WILL BE MOUNTED. BRACED ACCORDING TO SPECIFICATIONS SET FORTH BY LICENSED ARCHITECTS AND ENGINEERS, THE MIDDLE ATLANTIC PRODUCTS RACK/ENCLOSURE YOU PURCHASED IS CAPABLE OF SUSTAINING A PHENOMENAL LATERAL LOAD OF HIGH IMPORTANCE EQUIPMENT WITH THE FRONT RAILS FILLED TO A MAXIMUM CAPACITY OF 140 LBS.



CAUTION: TO REDUCE THE RISK OF PERSONAL INJURY AND CONFORM TO THE UL LISTING THESE MOUNTING INSTRUCTIONS MUST BE FOLLOWED AND PROPER WEIGHT CAPACITY MUST BE OBSERVED (SEE CHART BELOW). AS A GENERAL RULE, HEAVIER EQUIPMENT SHOULD BE PLACED TOWARDS THE BOTTOM OF THE RACK.

PART NUMBER	# OF MOUNTING HOLES	MAXIMUM WEIGHT CAPACITY
DWR-10-17/22	4	200 lbs.
DWR-12-17/22/26/32	4	200 lbs.
DWR-16-17/22	4	200 lbs.
DWR-18-17/22/26/32	4	250 lbs.
DWR-21-17/22	5	250 lbs.
DWR-24-17/22/26/32	5	300 lbs.
DWR-35-17/22/26	6	300 lbs.

OVERALL DIMENSIONS

Width: 23.4"

Height: 10 RU - 35 RU

Depths: 17", 22", 26"* and 32"*

* Available for certain heights only

INSTALLATION

1) Separate backpan from center section and determine hinge side.

NOTE: DWR center section can be opened from left-to-right or vice versa depending on how backpan is installed.

! THE BACKPAN MUST BE INSTALLED PLUMB AND LEVEL FOR PROPER OPERATION.

NOTE: Ensure the wall to which the backpan will be mounted, consists of two (2) 3/4" plywood screwed to the studs. All DWR's may be mounted using the method outlined in step 2, and DWR's up to 26" overall depth may also be mounted on concrete walls. You can install 32" overall depth DWR's as outlined in step 2 only.

2) Mount backpan to wall (a minimum of 4" clearance top and bottom is required) using 3/8" dia. lag bolts with a minimum length of 1 1/2" and standard flat washers. **(FIGURE A)**

NOTE: The standard flat washers must be installed under the lag bolt heads. Refer to the chart on the previous page for the number of mounting holes required. All mounting holes must be used.

NOTE: Feet are included with the 24 and 35 rackspace DWR's only. These feet are to be used when mounting in close proximity to the floor (4"). The feet help reduce the shear weight off of the mounting hardware that is used to hold the rack to the wall when a significant amount of weight is loaded in the rack.

3) To install feet, remove screws on bottom of backpan (both sides) and reattach with feet in position. **(FIGURE B)**

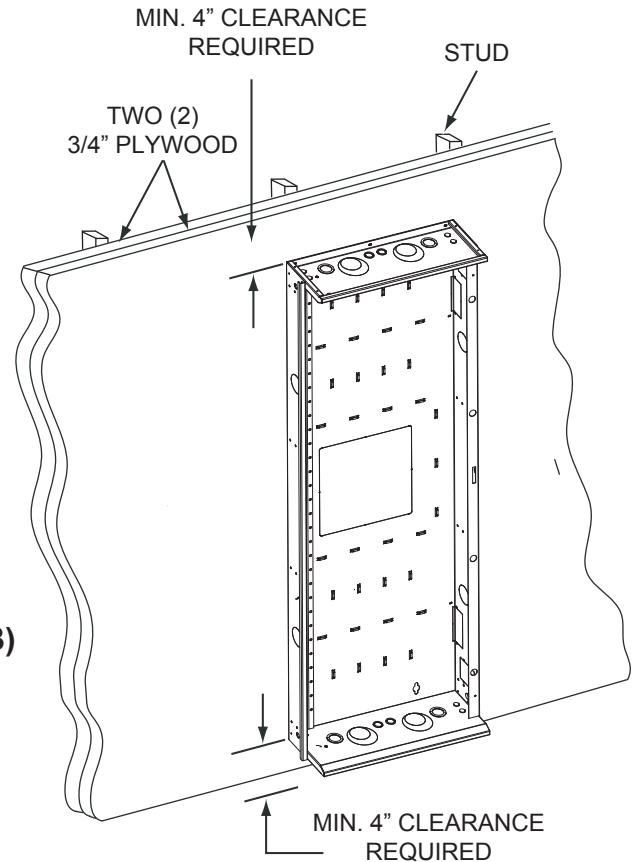


FIGURE A

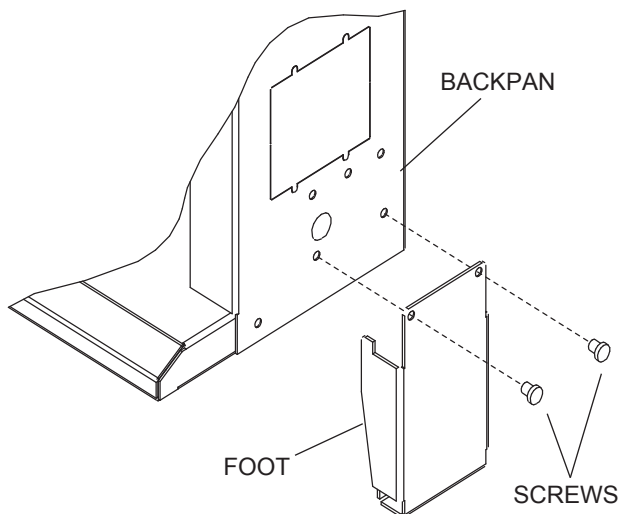
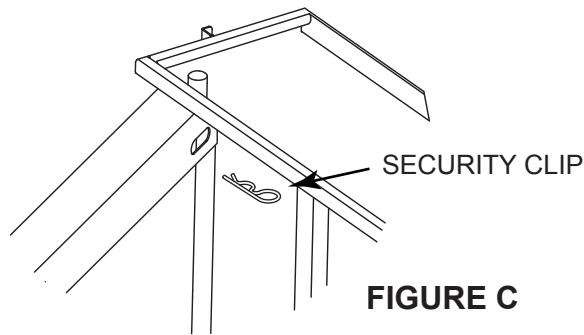


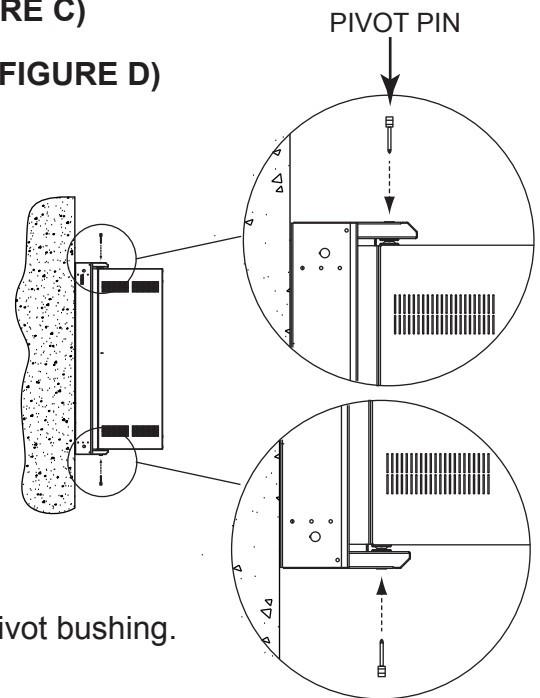
FIGURE B

INSTALLATION (CONTINUED)

- 4) Remove security clips located at top and bottom of unit. **(FIGURE C)**
- 5) Remove pivot pins located at the top and bottom of backpan. **(FIGURE D)**



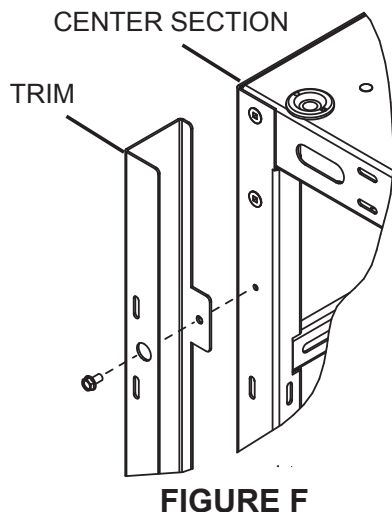
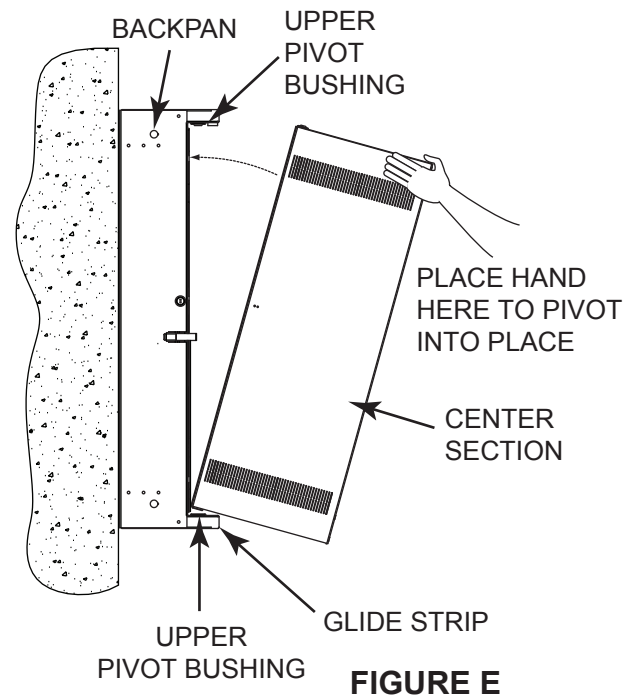
- 6) Lift the center section and place the bottom glide strip on the edge of the backpan. Position the center section so as to engage the lower pivot bushing on the backpan. **(FIGURE E)**
- 7) Pivot top of center section into backpan and align with upper pivot bushing. **(FIGURE E)**



- 8) Insert pivot pin into upper bushing, hand tighten fully and then back out one turn. Repeat for lower bushing. **(FIGURE D)**
- 9) Install the security clips to prevent removal of pivot pins from exterior of enclosure. **(FIGURE C)**


NOTE: When installing front door, factory rackrail setback will be 1-1/2" to the inside of the door. The lock and handle located at the center of the door will have an additional setback of 1/2". Please adjust rackrail accordingly before installing equipment.

- 10) Install trim on the pivot side of the center section with a 5/16" socket/nut driver using screws preinstalled on the back of the center section. **(FIGURE F)**



NOTE: Self tapping screws supplied on both sides for your convenience. Leave unused self-tapping screws in place on opposite side.

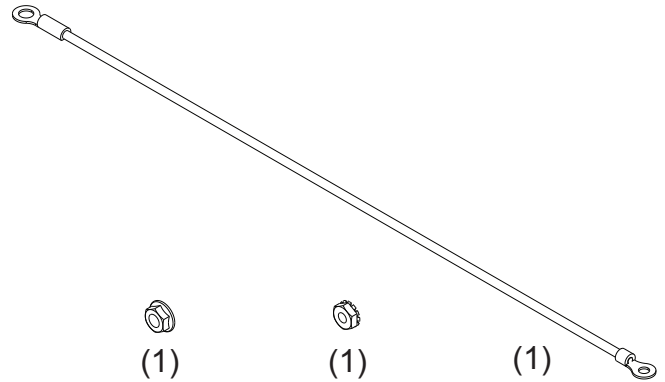
GROUNDING AND BONDING

Protective Earth Terminals (PET) are located in backpan of the wall rack. These terminals are marked with the symbol . Wall rack parts, center section and door, contain or are provided with bonding points for connection to the backpan / PET. Protective earth and bonding connections shall be in accordance with Article 250 of the National Electric Code.

OPTIONAL PROTECTIVE EARTH TERMINAL KIT: #PET-K-D/EWR

PARTS LIST

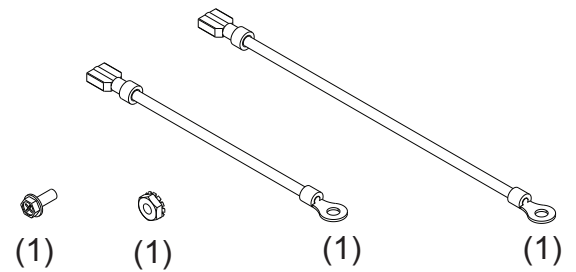
- | | <u>QTY</u> |
|--|------------|
| • Backpan bonding wire [12 Gauge Wire (#10 ring terminal to 1/4" ring terminal)] 14" | (1) |
| • Flange Nut 1/4-20 | (1) |
| • Locking Nut 10-32 | (1) |



OPTIONAL PROTECTIVE EARTH TERMINAL KIT: #PET-K-D/EWRD

PARTS LIST

- | | <u>QTY</u> |
|---|------------|
| • Door bonding wire [12 Gauge Wire (#10 ring terminal to male disconnect)] 6" | (1) |
| • Door bonding wire [12 Gauge Wire (#10 ring terminal to female disconnect)] 4" | (1) |
| • Thread forming screw M4 x .7 | (1) |
| • Locking Nut 10-32 | (1) |

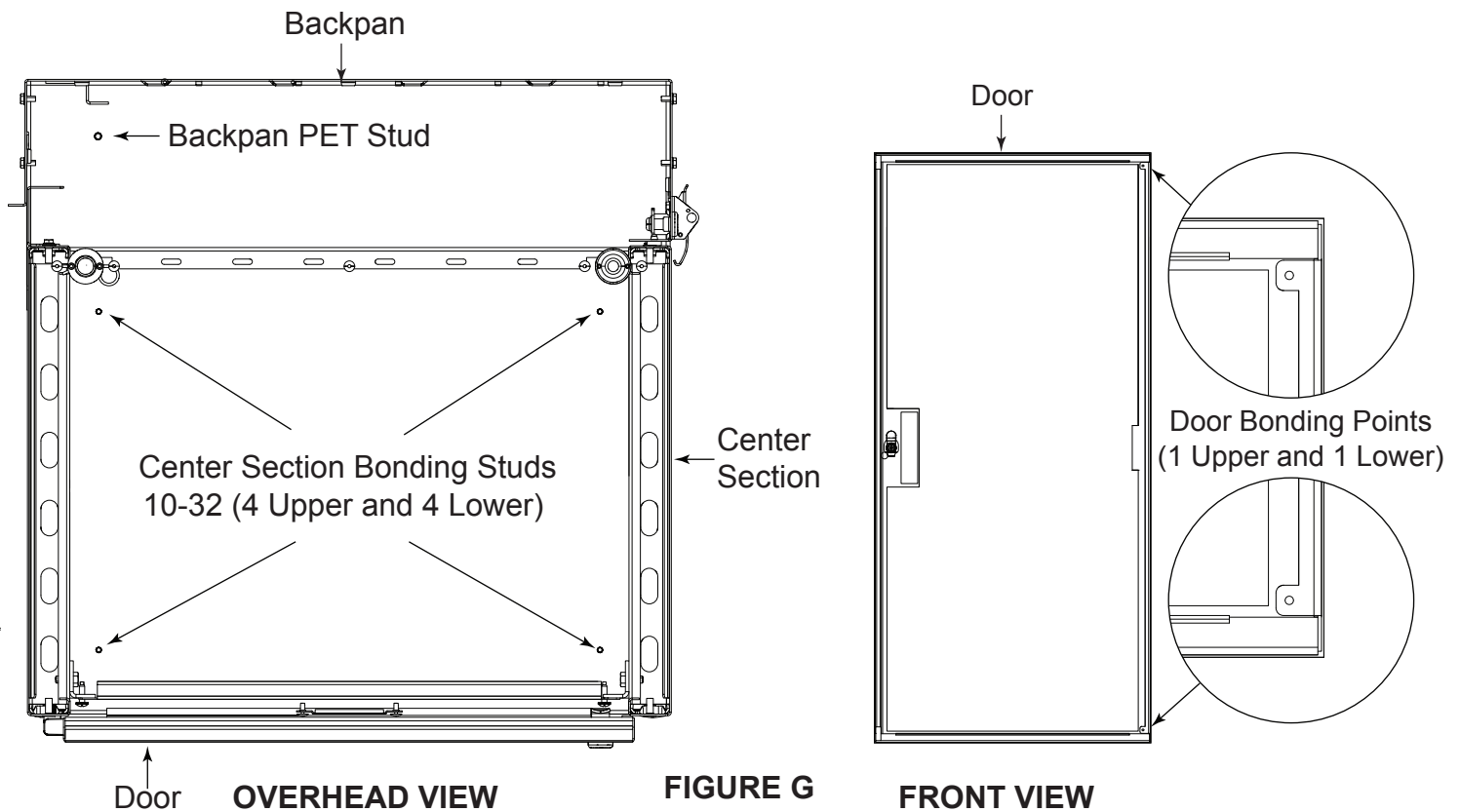


GROUNDING AND BONDING (Continued)

- 1) Attach **backpan bonding wire** from 1/4"-20 backpan protective earth terminal (PET) to nearest center section bonding stud (10-32) using hardware provided. **(FIGURE G)**

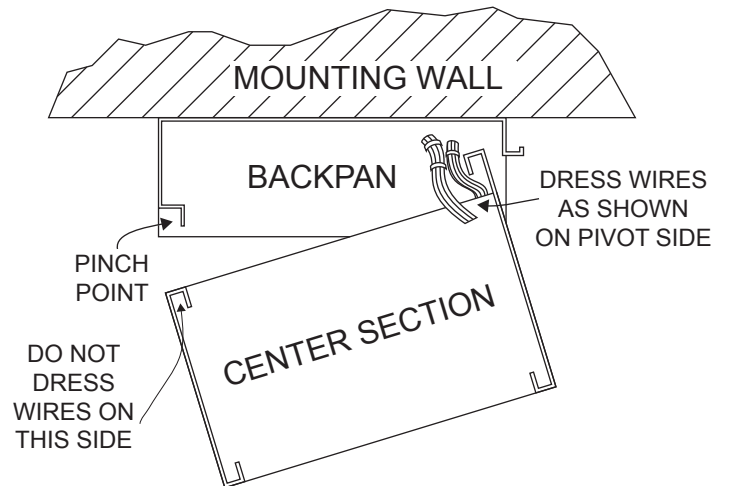
NOTE: The main protective earth ground needs to be the first terminal placed on the PET and this terminal needs to be secured on its own with a nut. The bonding wire for the center section can be added to the PET after securing the nut for the main ground. **(FIGURE G)**

- 2) **FOR OPTIONAL DOOR:** Attach **door bonding wire** (with male or female disconnect end) to door bonding point with thread forming screw (included). **(FIGURE G)**
- 3) Attach remaining door bonding wire to nearest center section bonding stud (10-32) using hardware provided. **(FIGURE G)**
- 4) Connect male and female ends of door bonding wire set.

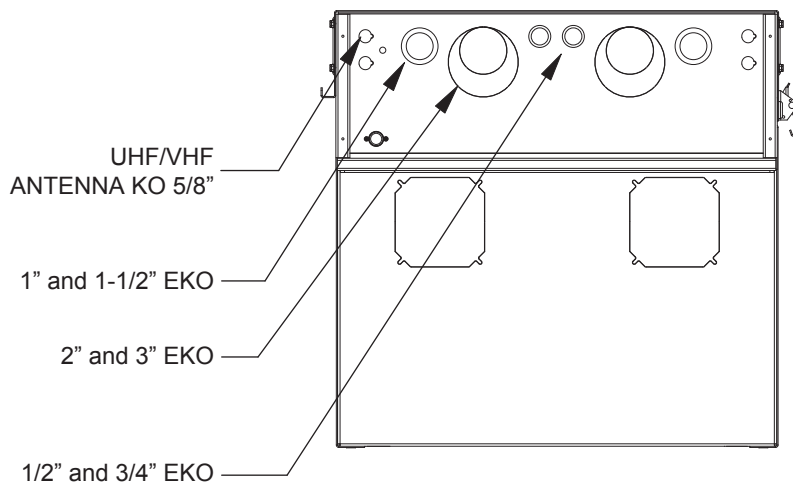


CABLE MANAGEMENT

- Use Hook and loop slots and/or cable ties provided on top, bottom and sides of center section for cable management.
- Use hook and loop slots and/or cable ties in Z-bracket or cable management.
- Use hook and loop slots and/or cable ties in bridge lances on backpan for cable management.



TOP VIEW

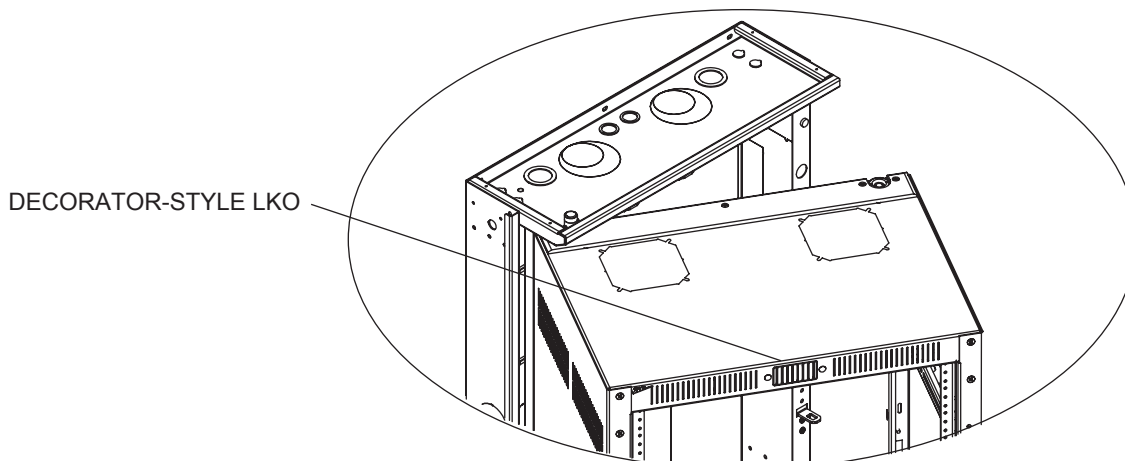


- Laser knockouts are located in the center of the backpan for large electrical boxes.
- Knockouts provided in top/bottom for electrical fittings, UHF/VHF antenna and cable entry.

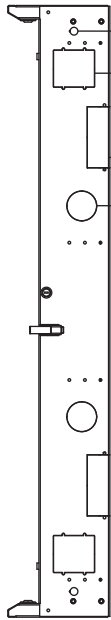
NOTE: Optional grommets, Middle Atlantic Products model #GR-30, are available to protect wiring when using knockouts.

DECORATOR-STYLE LASER KNOCKOUT

The face of the top and bottom of the DWR wall rack has a knockout for the mounting of the RPS Series remote power switch from Middle Atlantic Products or any low voltage decorator-style device.



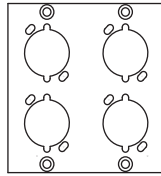
SIDE VIEW



KNOCKOUTS PROVIDED ON SIDE INCLUDE:

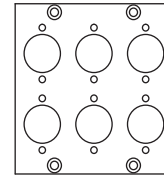
- UHF/VHF antenna
- Middle Atlantic Products UCP modules (used to mount commonly used input/output connectors)
- 4" cable duct (accommodates Wiremold™ 4000 series)
- 2" LKO (Note: 2" LKO on 21 space rack and up only)

EXAMPLE OF MIDDLE ATLANTIC PRODUCTS UCP MODULES



UNIV4

(Fits Neutrik FP, MP, MDL and other connectors)



XLR

(Fits Neutrik MPL, LNEMP and other connectors)

POWER STRIP INSTALLATION

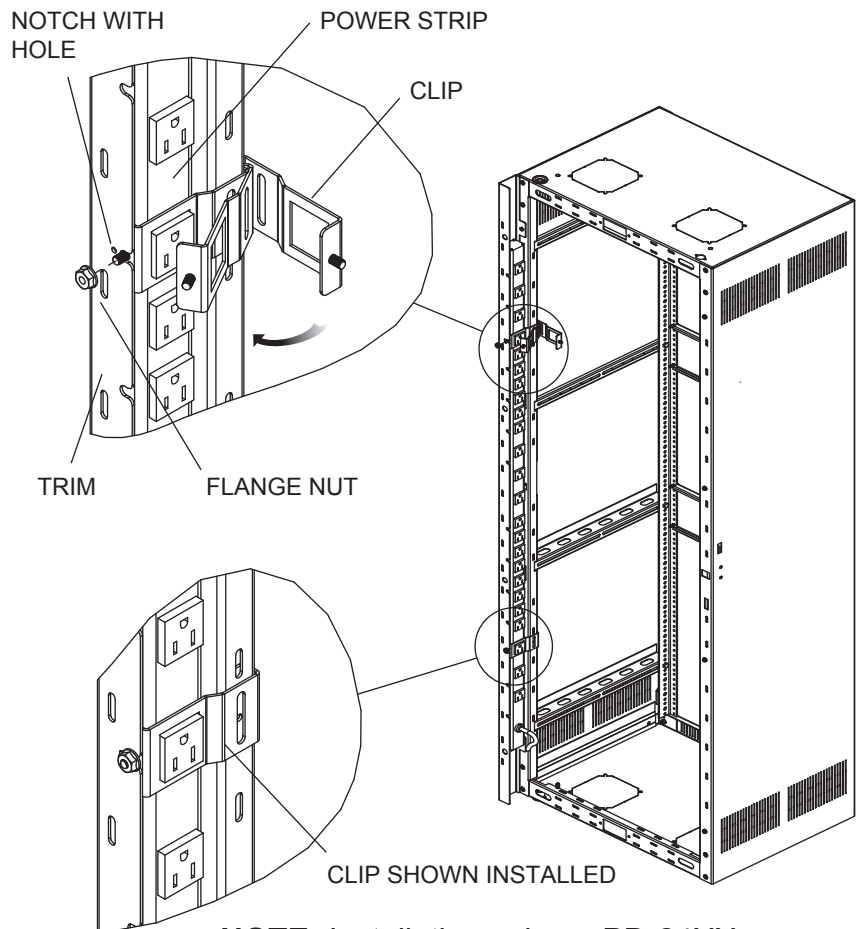
Middle Atlantic Products power strips (PD-815SC, PD-815SC-NS, PD-2415SC, PD-2415SC-NS and PD-2420SC-NS only) can be mounted inside the center section trim with the included hardware. Simplifies cable management with no additional accessories required.

NOTE: PD-2415SC, PD-2415SC-NS, and PD-2420SC-NS power strips only fit in the 35 space wall rack and require the use of two clips. Install clips only to trim notches with a hole. (Only one power strip can be mounted to the trim)

NOTE: Power strips PD-815SC and PD-815SC-NS fit in all DWR Series racks and require only one clip. Clip can be installed on any trim notch. (Only one power strip can be mounted to trim for 10-18 space wall racks; either one or two power strips can be mounted to trim for 21 and 24 space wall racks)

1) Place the power strip in the trim, positioned so the clip mounts over an outlet and clip aligns with the notch as shown.

2) Install clip and tighten flange nut as shown.

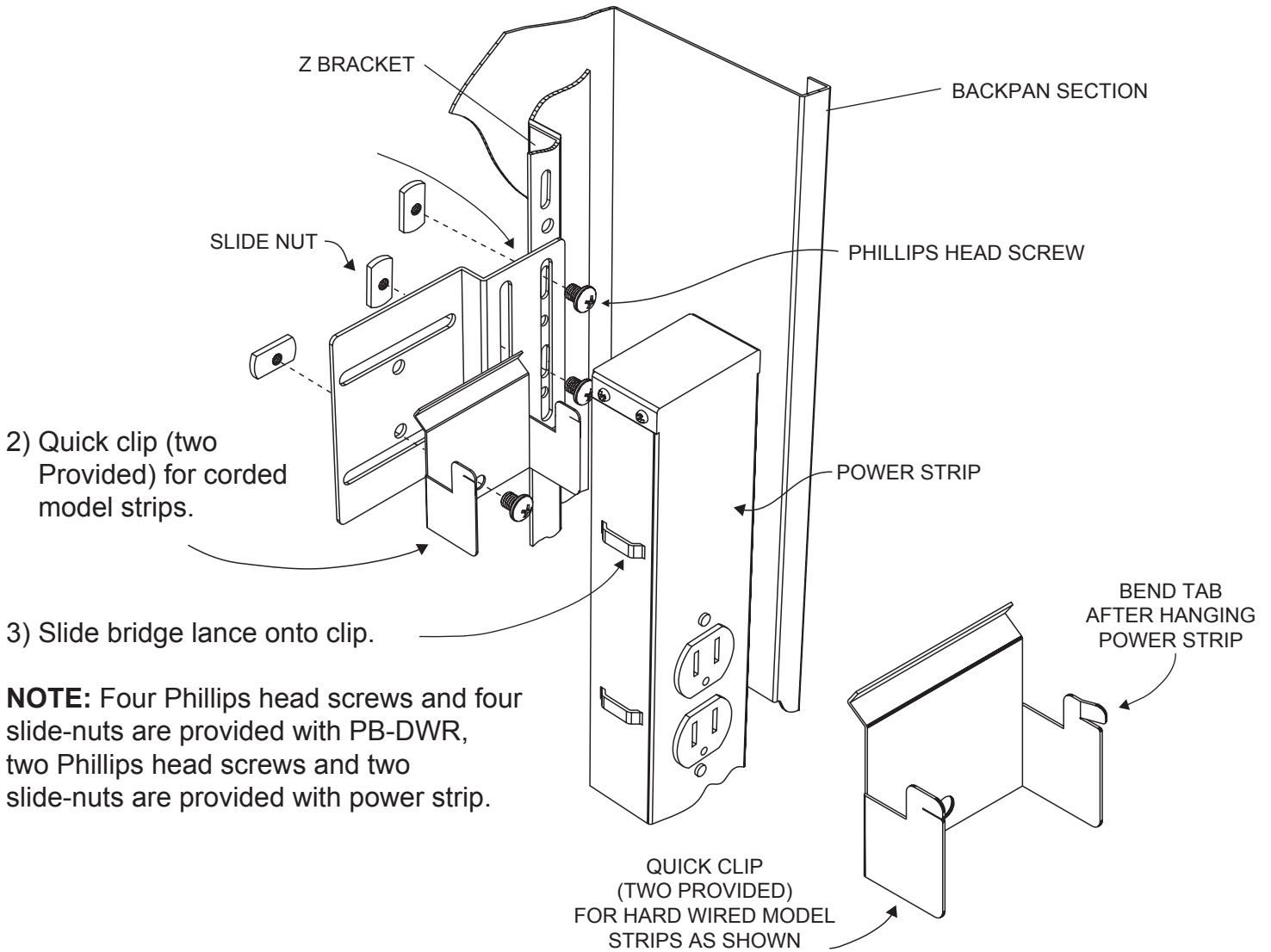


NOTE: Installation using a PD-24XX power strip with two clips is shown.

VERTICAL POWER STRIP INSTALLATION

NOTE: Requires Middle Atlantic Products part # PB-DWR (Sold Separately).

1) Install PB-DWR power bracket (two provided) to Z bracket.



WARRANTY

Middle Atlantic Products (the "Company") warrants the DWR Series Sectional Wall Mount Rack to be free from defects in material or workmanship under normal use and conditions for the lifetime of the product.

The Company's entire liability to the purchaser, and the purchaser's (or any other party's) sole and exclusive remedy, under this warranty shall be limited, at the Company's option, to either (a) return of and refund of the price paid for, or (b) repair or replacement at the Company's factory of the products purchased, or any part or parts thereof, which the Company has determined to be defective after inspection thereof at the Company's factory.

This warranty does not cover damage due to acts of God, accident, misuse, abuse or negligence by parties other than the Company, or any modification or alteration of the products. In addition, this warranty does not cover damage due to improper handling, assembly, installation or maintenance.

THIS WARRANTY IS IN LIEU OF ALL OTHER WARRANTIES OF ANY KIND, EITHER EXPRESSED OR IMPLIED, INCLUDING, BUT NOT LIMITED TO, IMPLIED WARRANTIES OF MERCHANTABILITY AND FITNESS FOR A PARTICULAR PURPOSE.

TO THE MAXIMUM EXTENT PERMITTED BY APPLICABLE LAW, IN NO EVENT SHALL THE COMPANY BE LIABLE FOR ANY SPECIAL, INCIDENTAL, INDIRECT, OR CONSEQUENTIAL DAMAGES WHATSOEVER (INCLUDING, WITHOUT LIMITATION, DAMAGES FOR LOSS OF BUSINESS PROFITS, BUSINESS INTERRUPTION OR ANY OTHER PECUNIARY LOSS) ARISING OUT OF THE USE OF THE PRODUCTS PURCHASED, EVEN IF THE COMPANY HAS BEEN ADVISED OF THE POSSIBILITY OF SUCH DAMAGES. THE COMPANY'S LIABILITY TO THE PURCHASER (OR ANY OTHER PARTY) HEREUNDER, IF ANY, SHALL IN NO EVENT EXCEED THE PURCHASE PRICE OF THE PRODUCTS PAID TO THE COMPANY.

Corporate Headquarters

Corporate Voice 973-839-1011 - Fax 973-839-1976
International Voice +1 973-839-8821 - Fax +1 973-839-4982
middleatlantic.com - info@middleatlantic.com

Middle Atlantic Canada

Voice 613-836-2501 - Fax 613-836-2690
middleatlantic.ca - customerservicecanada@middleatlantic.ca

Factory Distribution

USA: NJ - CA - IL Canada: ON - BC

At Middle Atlantic Products we are always listening. Your comments are welcome.

Middle Atlantic Products is an ISO 9001 and ISO 14001 Registered Company.