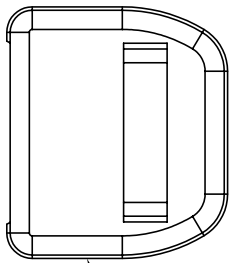




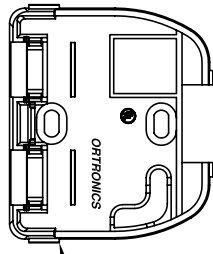
ORTRONICS

125 EUGENE O'NEILL DRIVE
NEW LONDON, CT 06320
TEL: 860-445-3800
FAX: 860-405-2990

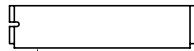
TITLE TechChoice KEYSTONE JACK
2 PORT
SURFACE MOUNT BOX



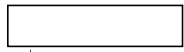
COVER



BASE



DESIGNATION
COVER



DESIGNATION
PAPER



SCREW

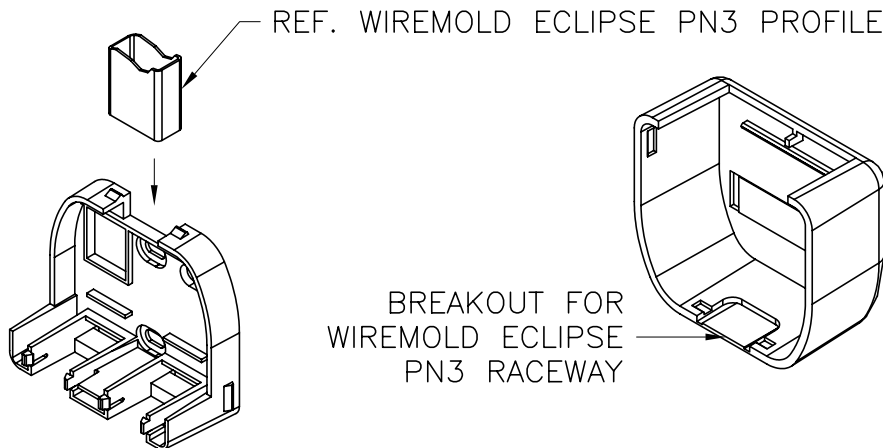
OR-KSSMB2 KIT INCLUDES:

- 1 COVER
- 1 BASE
- 1 DESIGNATION COVER
- 1 DESIGNATION PAPER
- 2 SCREWS #6 x 3/4"

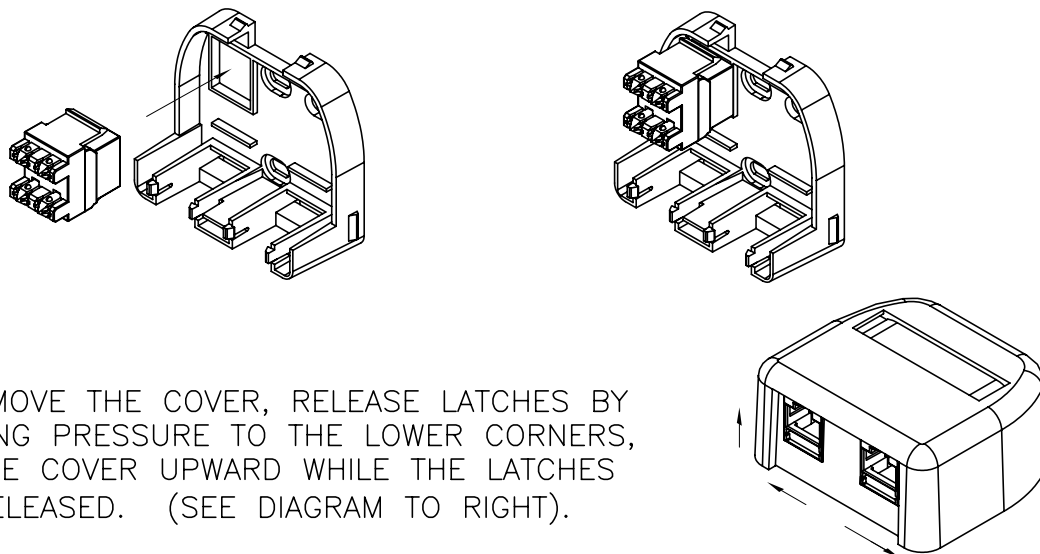
BOX DIMENSIONS:

1.20" H x 2.59" W x .27" D
30.40mm x 65.72mm x 57.70mm

MOUNTING INSTRUCTIONS: THIS BOX IS DESIGNED TO BE MOUNTED USING MOUNTING SCREWS. FOR RACEWAY APPLICATIONS USE WIREMOLD ECLIPSE PROFILE PN3.



JACK TERMINATION: PLACE THE JACK MODULE IN THE JACK HOLDER LOCATED IN THE BASE FACEDOWN. REFER TO JACK MODULE INSTRUCTION SHEET (71601440) FOR COMPLETE CABLE TERMINATION INSTRUCTIONS.



TO REMOVE THE COVER, RELEASE LATCHES BY APPLYING PRESSURE TO THE LOWER CORNERS, LIFT THE COVER UPWARD WHILE THE LATCHES ARE RELEASED. (SEE DIAGRAM TO RIGHT).

INSTRUCTION SHEET #	REV.	ECN #	SHEET	DWN.BY:	DATE	CHK.BY:	DATE	APP.BY:	DATE
OR-71601443	00		1 of 1	LEVESQUE	01/14/05	J. LUCY	01/14/05	MEM	01/14/05