



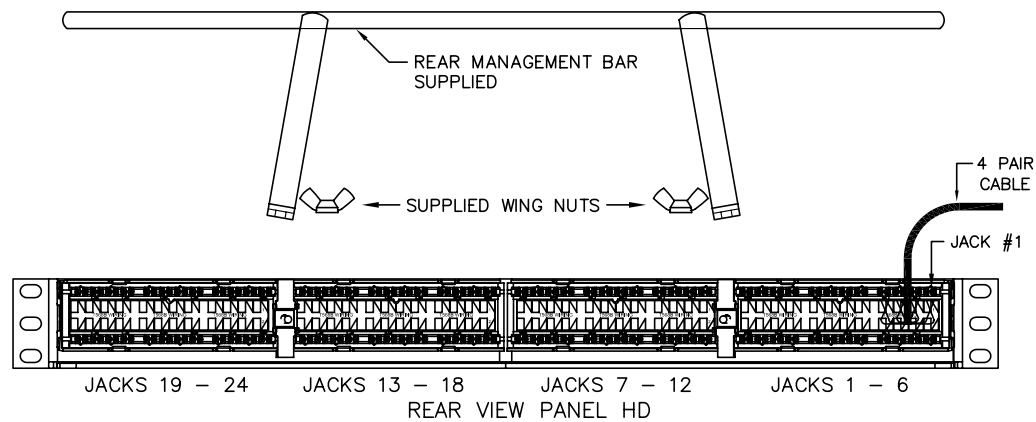
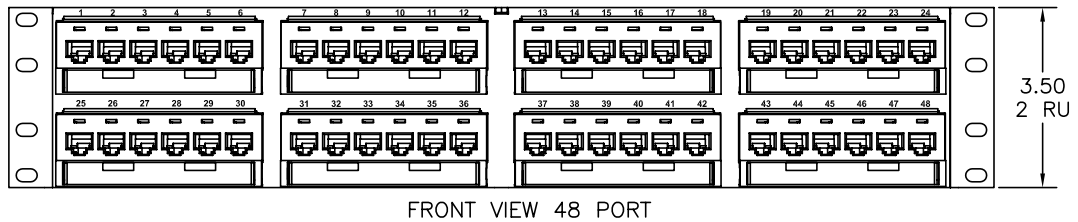
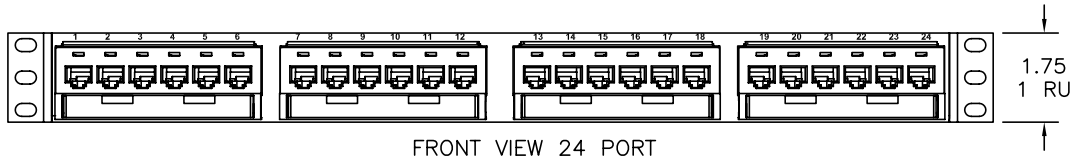
**ORTRONICS**

125 EUGENE O'NEILL DRIVE  
NEW LONDON, CT 06320  
TEL: 860-445-3800  
FAX: 860-405-2990

TITLE

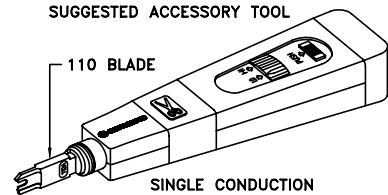
CLARITY, (6 & 5E) ANGLED/CURVED  
PATCH PANELS  
WITH 6 PORT MODULES

PORTS	JACK	WIRING	SIZE	PART # ANGLED (CAT6)	PART # ANGLED (CAT5e)	PART # CURVED (CAT6)	PART # CURVED (CAT5e)
24 PORT	8 POS/RJ45	T568 B or A	1.75 X 19	PHA66U24	PHASE6U24	PHC66U24	PHC5E6U24
48 PORT	8 POS/RJ45	T568 B or A	3.50 X 19	PHA66U48	PHASE6U48	PHC66U48	PHC5E6U48



STATION CABLE COLOR CODE T568A	T568A 8 POS. JACK RJ45 WIRING	STATION CABLE COLOR CODE T568B	T568B 8 POS. JACK RJ45 WIRING	RJ45 PIN #'s
WHITE/BLUE	5	WHITE/BLUE	5	
BLUE/WHITE	4	BLUE/WHITE	4	
WHITE/ORANGE	3	WHITE/ORANGE	1	
ORANGE/WHITE	6	ORANGE/WHITE	2	
WHITE/GREEN	1	WHITE/GREEN	3	
GREEN/WHITE	2	GREEN/WHITE	6	
WHITE/BROWN	7	WHITE/BROWN	7	
BROWN/WHITE	8	BROWN/WHITE	8	

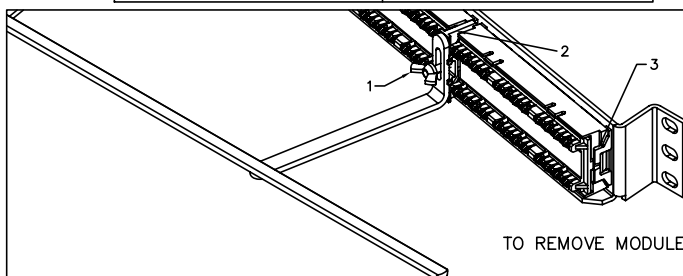
SUGGESTED ACCESSORY TOOL



SINGLE CONDUCTION  
110 IMPACT TOOL FOR  
TERMINATION OF CONDUCTORS  
OR-6030005 (TOOL)  
OR-6030006 (BLADE)

NOTES:

- PANEL IS SUPPLIED WITH T568B LABEL IN PLACE. FOR T568A WIRING, ATTACH FOUR SUPPLIED T568A WIRING LABELS OVER T568B LABELS.
- MAINTAIN PAIR TWIST UP TO POINT OF TERMINATION FOR MAXIMUM DATA PERFORMANCE.



TO REMOVE MODULE:

- REMOVE NEAREST WING NUT & WIRE MANAGER FROM STUD.
- REMOVE PRESS FIT PLASTIC WIRE MANAGER SLIDE GUIDE FROM STUD.
- PUSH OUT BEZEL LOCKING TABS WITH A SMALL, FLAT SCREWDRIVER IN THE SLOT PROVIDED.
- WITHDRAW MODULE FROM BEZEL LOCKING TABS.
- REASSEMBLE IN REVERSE ORDER WITH REPLACEMENT MODULE.

INSTRUCTION SHEET NO.	REV	ECN	SHEET	DWN.BY:	DATE	CK. BY	DATE	APP.BY:	DATE
OR-71601407	01	03252	1 OF 2	LEVESQUE	06/06/06	GREGG L.	06/21/06	ADAM M.	06/21/06



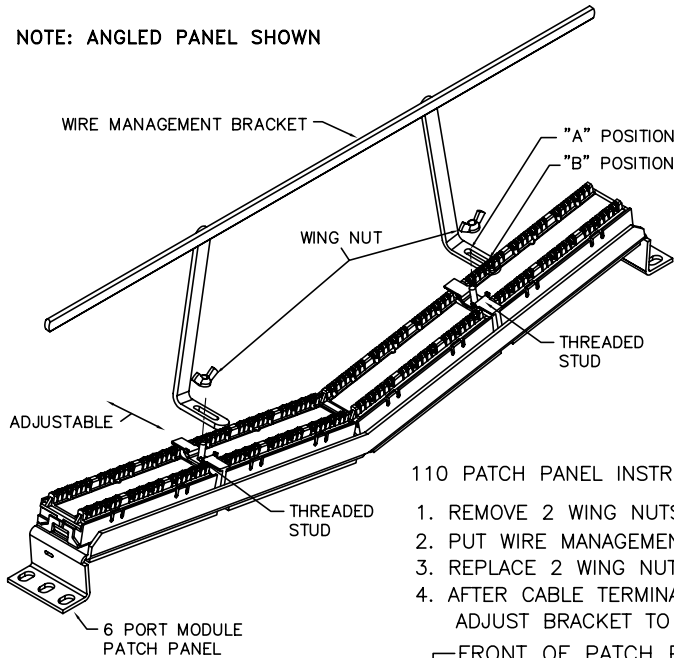
**ORTRONICS**

125 EUGENE O'NEILL DRIVE  
NEW LONDON, CT 06320  
TEL: 860-445-3800  
FAX: 860-405-2990

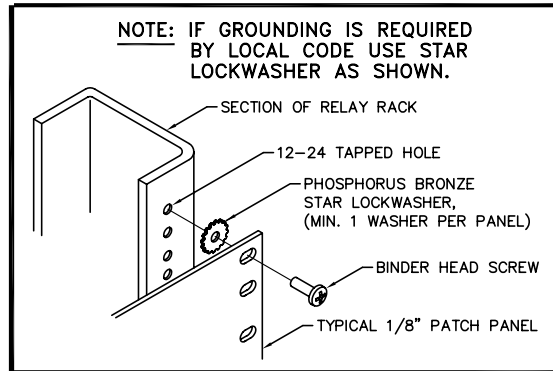
TITLE

**CLARITY, (6 & 5E) ANGLED/CURVED  
PATCH PANELS  
WITH 6 PORT MODULES**

NOTE: ANGLED PANEL SHOWN

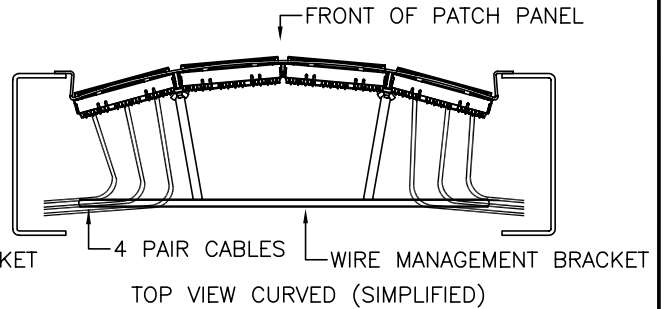
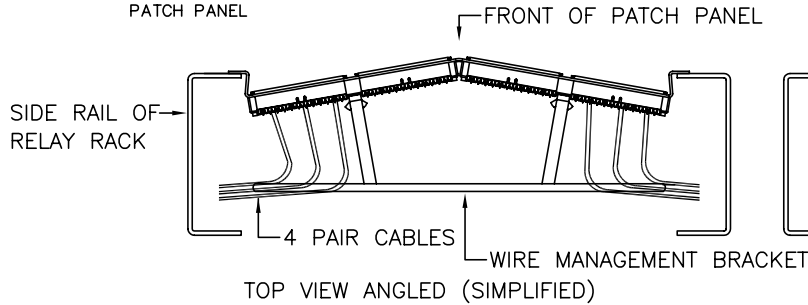


NOTE: IF GROUNDING IS REQUIRED  
BY LOCAL CODE USE STAR  
LOCKWASHER AS SHOWN.



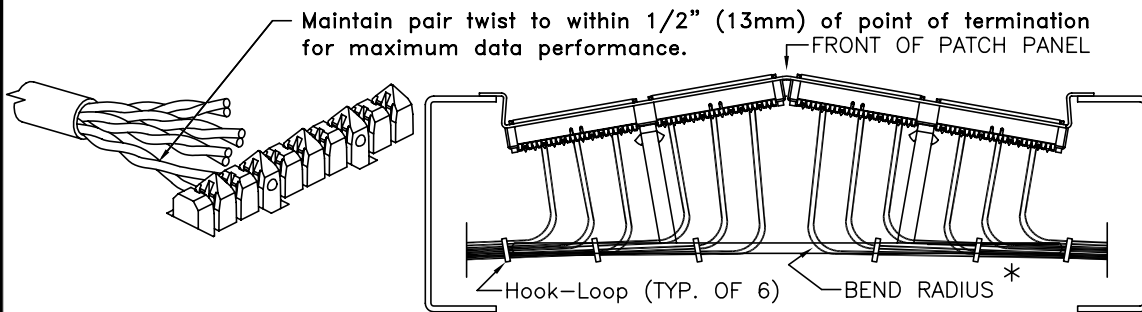
110 PATCH PANEL INSTRUCTIONS:

1. REMOVE 2 WING NUTS.
2. PUT WIRE MANAGEMENT BRACKET OVER THREADED STUDS IN 'B' POSITION.
3. REPLACE 2 WING NUTS. (TIGHTEN AS REQUIRED)
4. AFTER CABLE TERMINATION IS COMPLETED AS RECOMMENDED BELOW  
ADJUST BRACKET TO 'A' POSITION.



For optimum cable management, the cables should be Routed and Terminated starting from the outside of the patch panel and working to the center.  
Note: The cables should be routed from both sides of the Relay Rack rather than from one side only.

Maintain pair twist to within 1/2" (13mm) of point of termination for maximum data performance.



\*The recommended Minimum UTP Cable Bend Radius is 4 times the outside Cable Diameter. Hook-Loops should be used to attach the cable to the Wire Management Bracket. Care should be taken to insure the Hook-Loops are not too tight. The cable at the edge of the patch panel should be attached to the cable which has already been secured to the Wire Management Bracket.

INSTRUCTION SHEET NO.	REV	ECN	SHEET	DWN.BY:	DATE	CK. BY	DATE	APP.BY:	DATE
OR-71601407	01	03252	2 OF 2	LEVESQUE	06/06/06	GREGG L.	06/21/06	ADAM M.	06/21/06