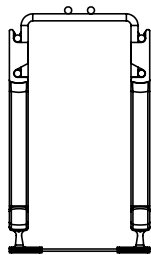




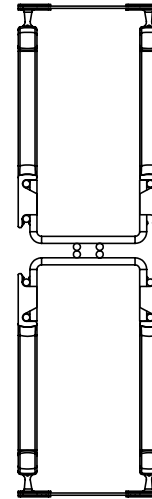
STANDARD VERTICAL CABLE MANAGEMENT SYSTEM
INSTALLATION INSTRUCTIONS

NOTE: Instruction are for all configurations: 4"x6", 4"x12", 6"x6", 6"x12" cage, of any length.

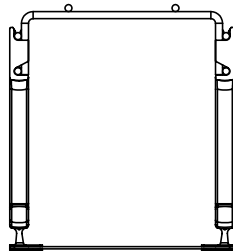
1. Before installing cage, inventory contents, including hardware as listed on sheet 2.



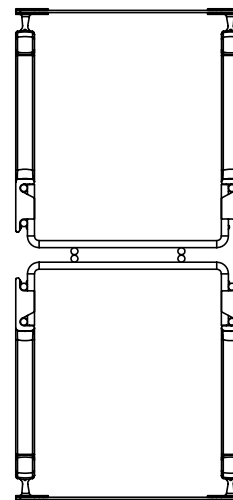
4" STANDARD VERTICAL CABLE MANAGEMENT CAGE, SINGLE



4" STANDARD VERTICAL CABLE MANAGEMENT CAGE, DUAL FRONT AND REAR



6" STANDARD VERTICAL CABLE MANAGEMENT CAGE, SINGLE

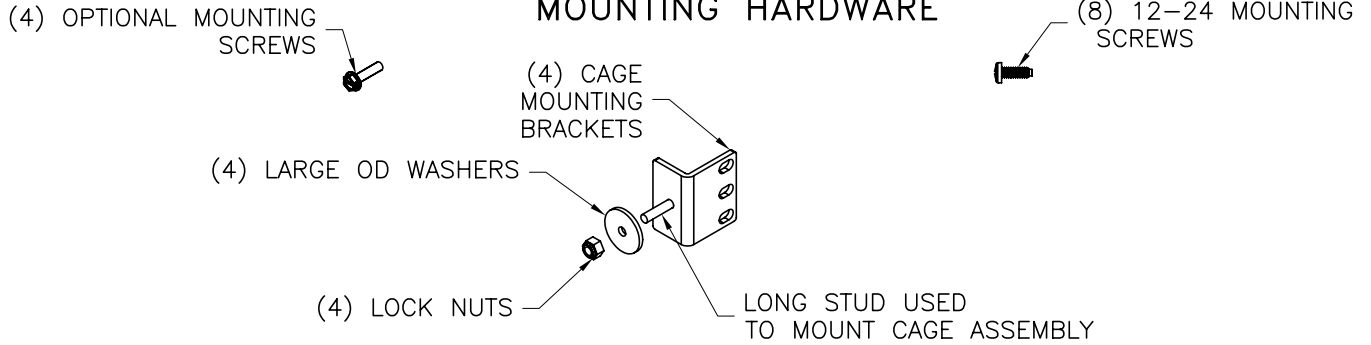


6" STANDARD VERTICAL CABLE MANAGEMENT CAGE, DUAL FRONT AND REAR

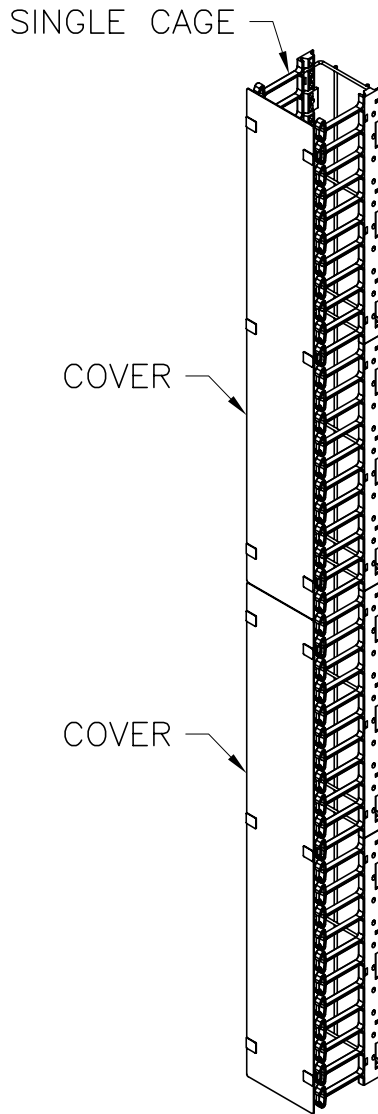
CAD:716016931

INSTRUCTION SHEET #	REV.	ECN #	SHEET	DWN.BY:	DATE	CHK.BY:	DATE	APP.BY:	DATE:
OR-71601693	01	03858	1 of 3	S. LEVESQUE	02/10/09	C.A.C.	02/12/09	A.MURANO	02/10/09

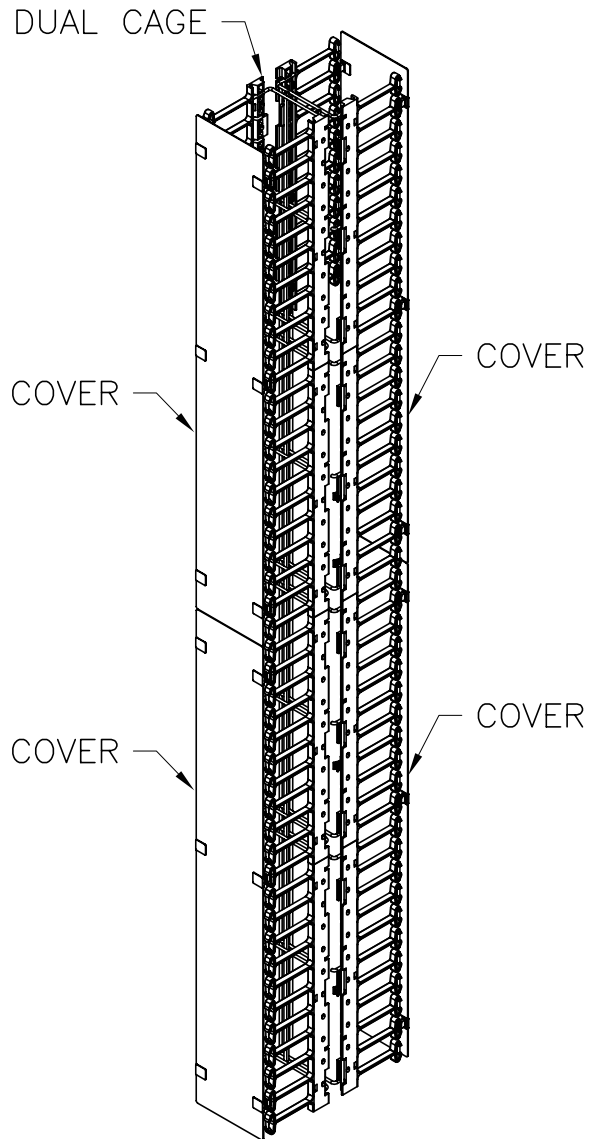
STANDARD CAGE MOUNTING HARDWARE



CAGE ASSEMBLIES



SINGLE CAGE
ASSEMBLY



DUAL CAGE
ASSEMBLY

CAD:716016932

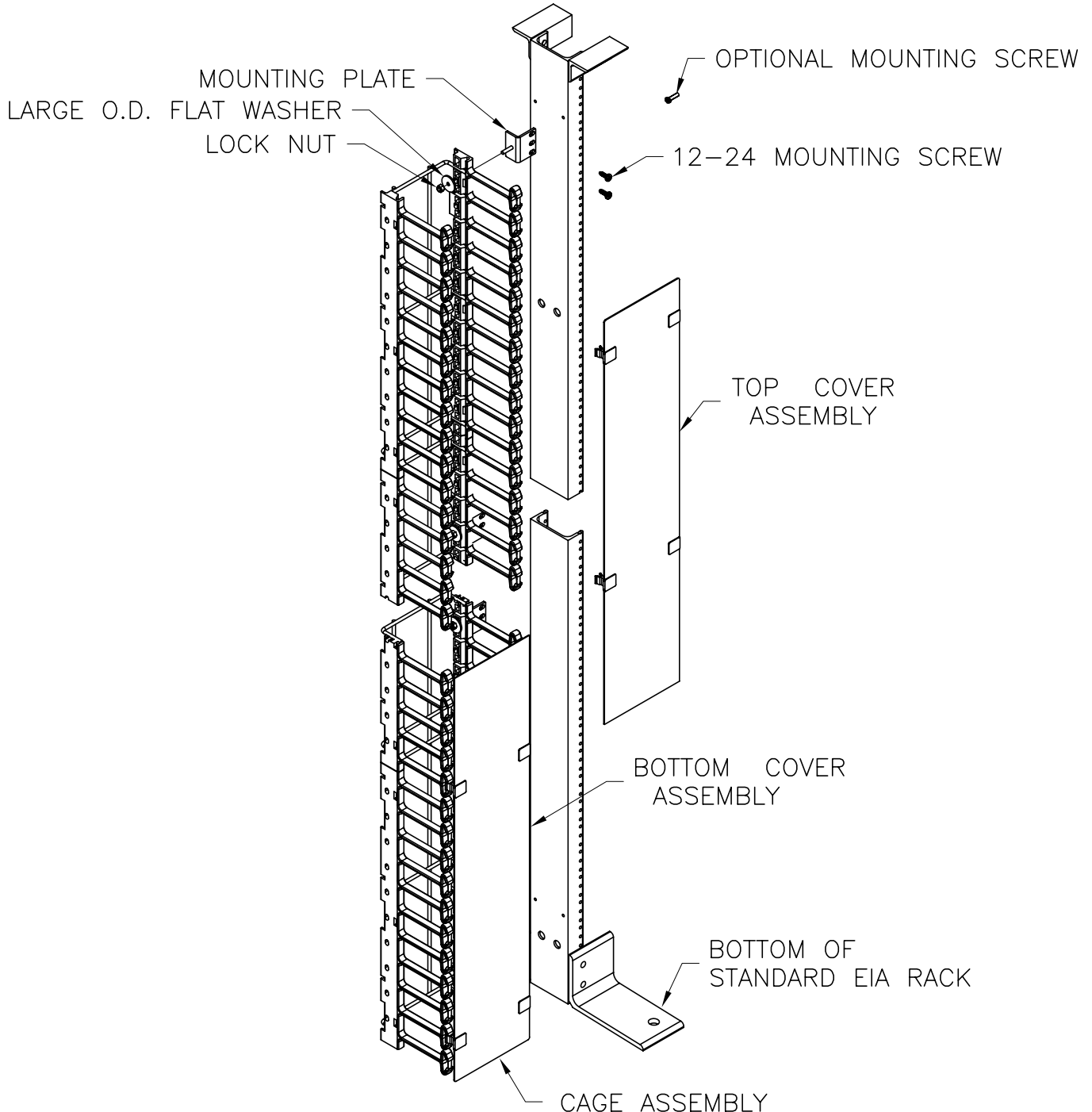
INSTRUCTION SHEET #	REV.	ECN #	SHEET	DWN.BY:	DATE	CHK.BY:	DATE	APP.BY:	DATE
OR-71601693	01	03858	2 of 3	S. LEVESQUE	02/10/09	C.A.C.	02/12/09	A.MURANO	02/17/09

1. REMOVE COVERS AND INSTALL CAGE MOUNTING BRACKET(S) AS SHOWN. PLACE THE STUDS THROUGH THE FINGER SET AND SECURE USING THE LARGE FLAT WASHERS AND LOCK NUTS.

NOTE: EQUALLY SPACE BRACKETS ALONG LENGTH OF CAGE. WHEN USING A DUAL CAGE PLACE BRACKETS 2 ON FRONT AND 2 ON REAR. REINSTALL COVERS.

2. ALIGN CAGE WITH EIA RAIL AND FASTEN USING 12-24 SCREWS.

3. IF CAGE ASSEMBLY CAN BE MOUNTED DIRECTLY TO THE SIDE OF A RACK, THEN USE THE OPTIONAL MOUNTING SCREWS ONLY, THROUGH THE FINGER SET AND INTO THE RACK.



CAD:716016933

INSTRUCTION SHEET #	REV.	ECN #	SHEET	DWN.BY:	DATE	CHK.BY:	DATE	APP.BY:	DATE
OR-71601693	01	03858	3 of 3	S. LEVESQUE	02/10/09	C.A.C.	02/12/09	A.MURANO	02/17/09