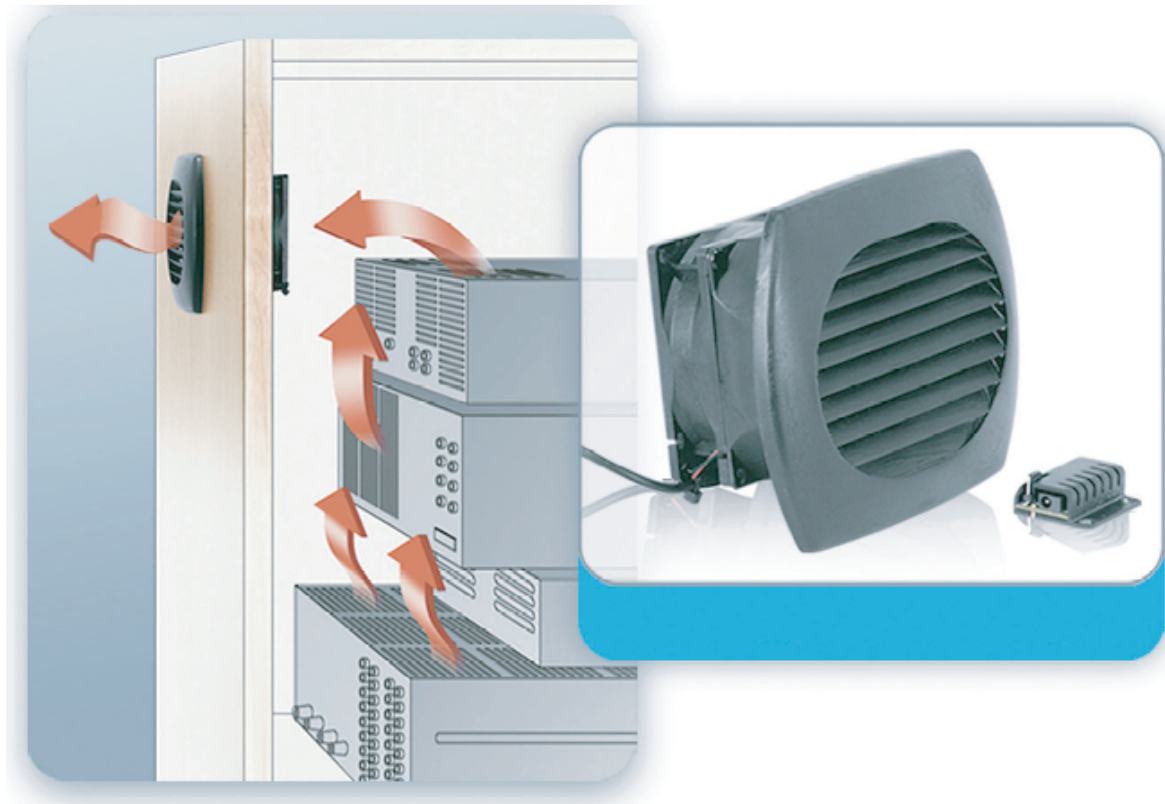


INSTRUCTION SHEET
CAB-COOL SERIES
QUIET-COOL SERIES™ CABINET COOLER(S)



THANK YOU

Thank you for purchasing the CAB-COOL Cabinet Cooler(s). Please read these instructions thoroughly before installing / assembling this product.

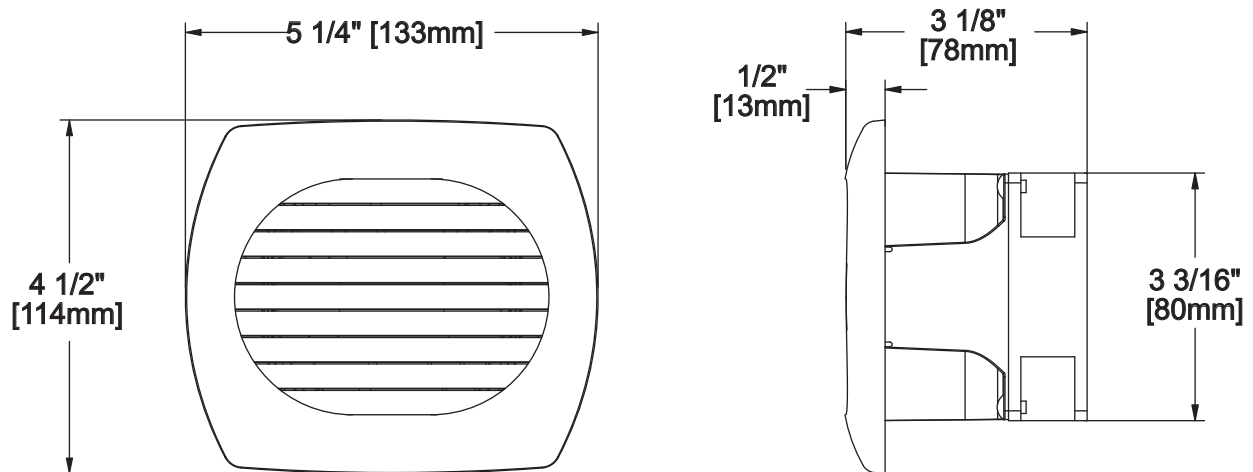
PRODUCT FEATURES

- Extends equipment life
- Removes heat from smaller cabinets and entertainment centers
- Grille can be painted to match aesthetics of any environment

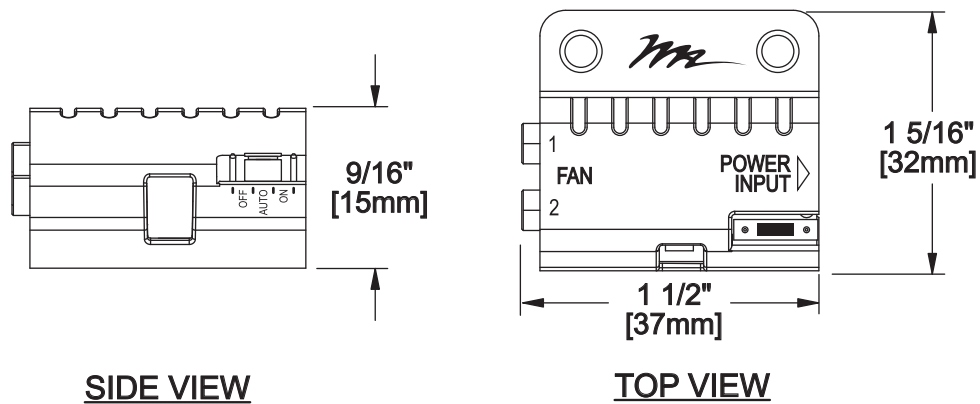
SPECIFICATIONS

MODEL	POWER REQUIREMENTS	CFM	dBA @ 1 METER
CAB-COOL	12 VDC @ 120mA	20	24
CAB-COOL-2	12 VDC @ 240mA	40	27

FAN UNIT



INLINE FAN CONTROL

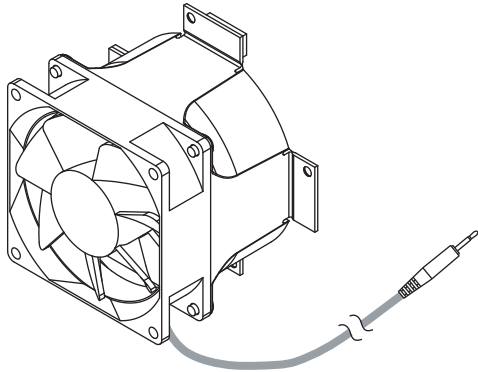


INLINE FAN CONTROL OPERATION

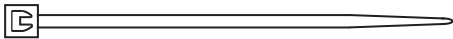
- Jumper on two center pins (default location) fan will turn on at 87° and turn off at 85°.
- Jumper on two left pins, fan will remain off.
- Jumper on two right pins, fan will remain on.

PARTS

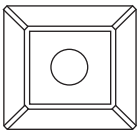
<u>FAN UNIT</u>	<u>QTY</u>
CAB-COOL	1
CAB-COOL-2	2



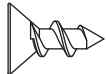
<u>WIRE TIE</u>	<u>QTY</u>
CAB-COOL	5
CAB-COOL-2	10



<u>WIRE TIE MOUNT</u>	<u>QTY</u>
CAB-COOL	5
CAB-COOL-2	10



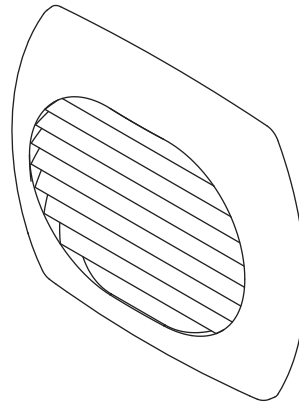
<u>WOOD SCREW</u>	<u>QTY</u>
CAB-COOL	8 (2 Extra)
CAB-COOL-2	16 (4 Extra)



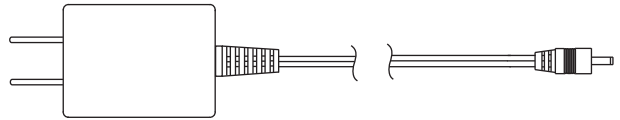
TOOLS REQUIRED

- 3.5" Hole Saw
- 3/32" Drill Bit
- #2 Phillips Head Driver

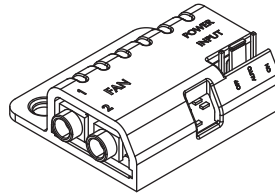
<u>LOUVERED GUARD</u>	<u>QTY</u>
CAB-COOL	1
CAB-COOL-2	2



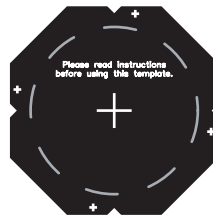
<u>POWER SUPPLY</u>	<u>QTY</u>
CAB-COOL	1
CAB-COOL-2	1



<u>INLINE FAN CONTROL</u>	<u>QTY</u>
CAB-COOL	1
CAB-COOL-2	1

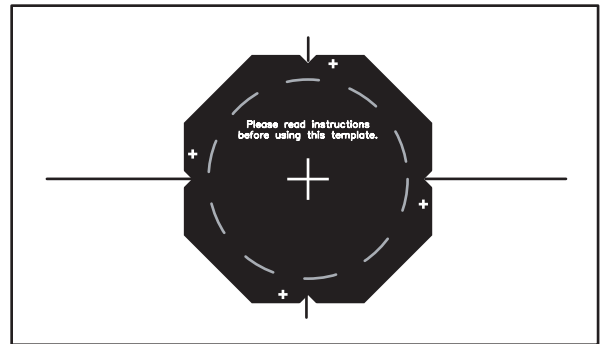
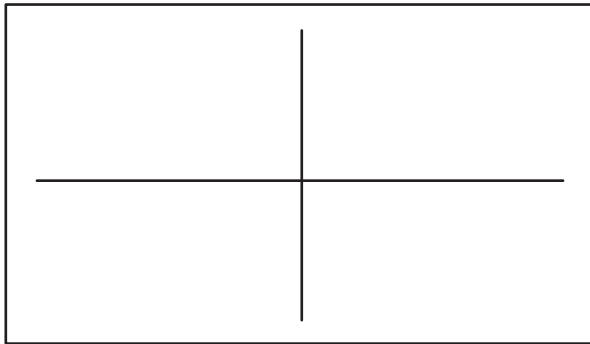


<u>FAN UNIT</u>	<u>QTY</u>
CAB-COOL	1
CAB-COOL-2	2

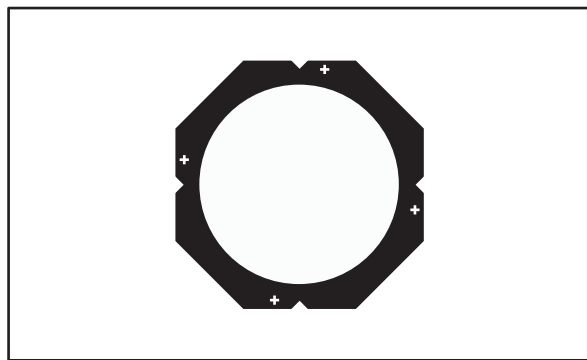


INSTALLATION

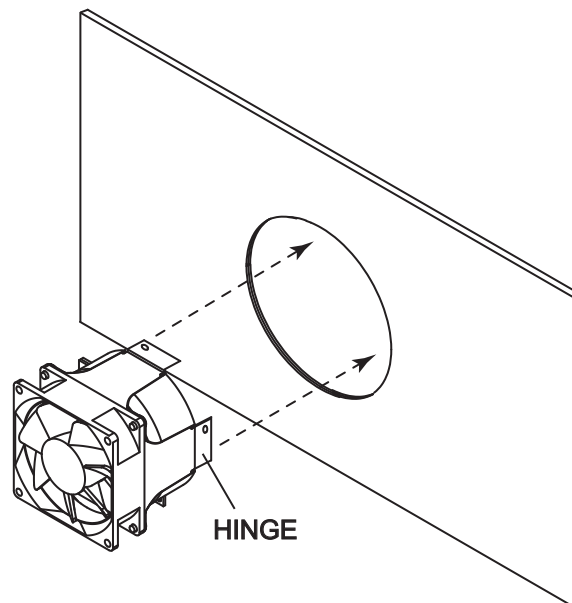
- 1) Mark center lines as shown. Remove adhesive back on the template and press firmly onto the desired location. Make sure notches on template line up with center lines.



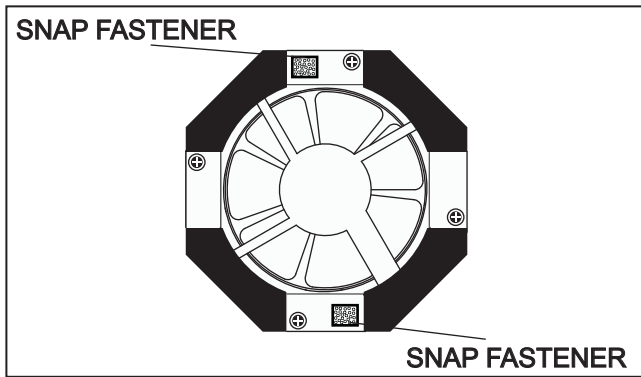
- 2) On the front of cabinet, using a 3.5" Hole Saw, cut a hole in the center mark on the template. (Louvered Guard will cover what remains of the template)



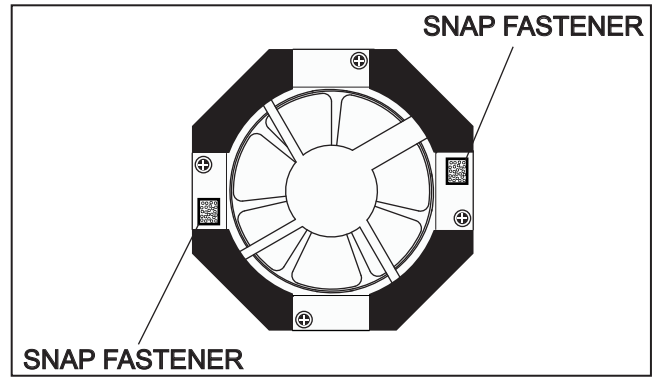
- 3) Remove the Louvered Guard from the fan unit. Gently bend hinges forward and insert the fan unit through the inside of the cabinet.



- 4) Gently bend hinges back. Align holes on the hinges to the "+" mark on template. (Snap Fasteners can be positioned to the top and bottom for horizontal louvre installation or to the left/right sides for vertical louvre installation)

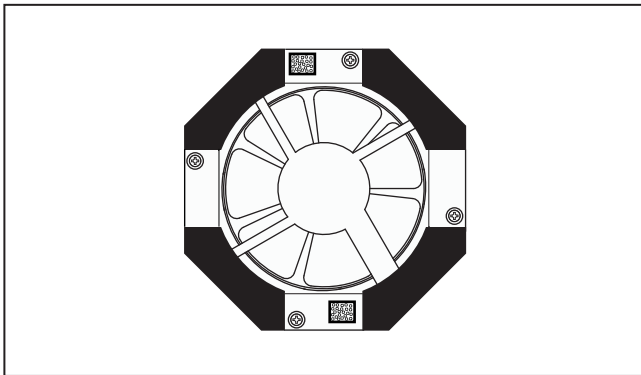


HORIZONTAL MOUNTING

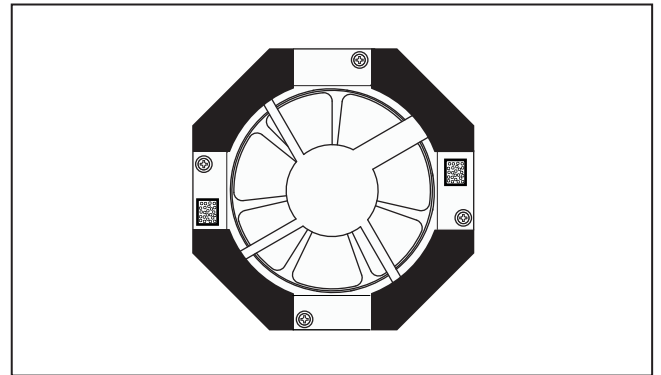


VERTICAL MOUNTING

- 5) It is recommended that you drill four pilot holes using a 3/32" drill bit. Drill on the "+" marks. Using a #2 Phillips Head Driver, carefully affix the unit with the four provided Wood Screws.

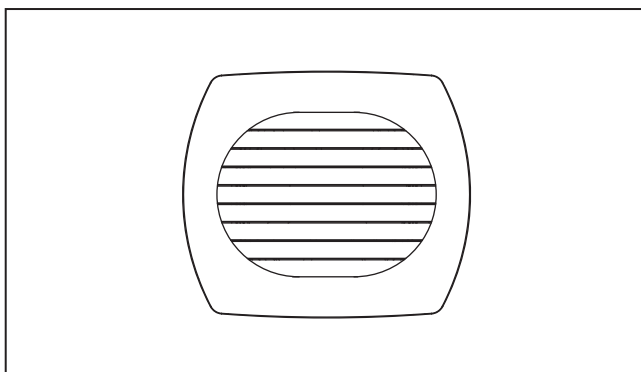


HORIZONTAL MOUNTING

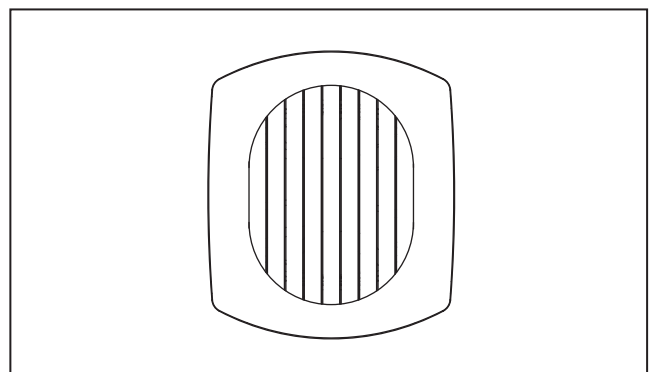


VERTICAL MOUNTING

- 6) Attach Louvered Guard using Snap Fasteners. (An audible "snap" is heard once Snap Fastener is engaged). Adjust Guard for air flow and/or aesthetic needs.



HORIZONTAL MOUNTING



VERTICAL MOUNTING

- 7) Using two provided Wood Screws, mount Inline Fan Control at the highest available location in your cabinet.

TIP: Make sure the Wood Screws are not longer than the panel they will be installed in.

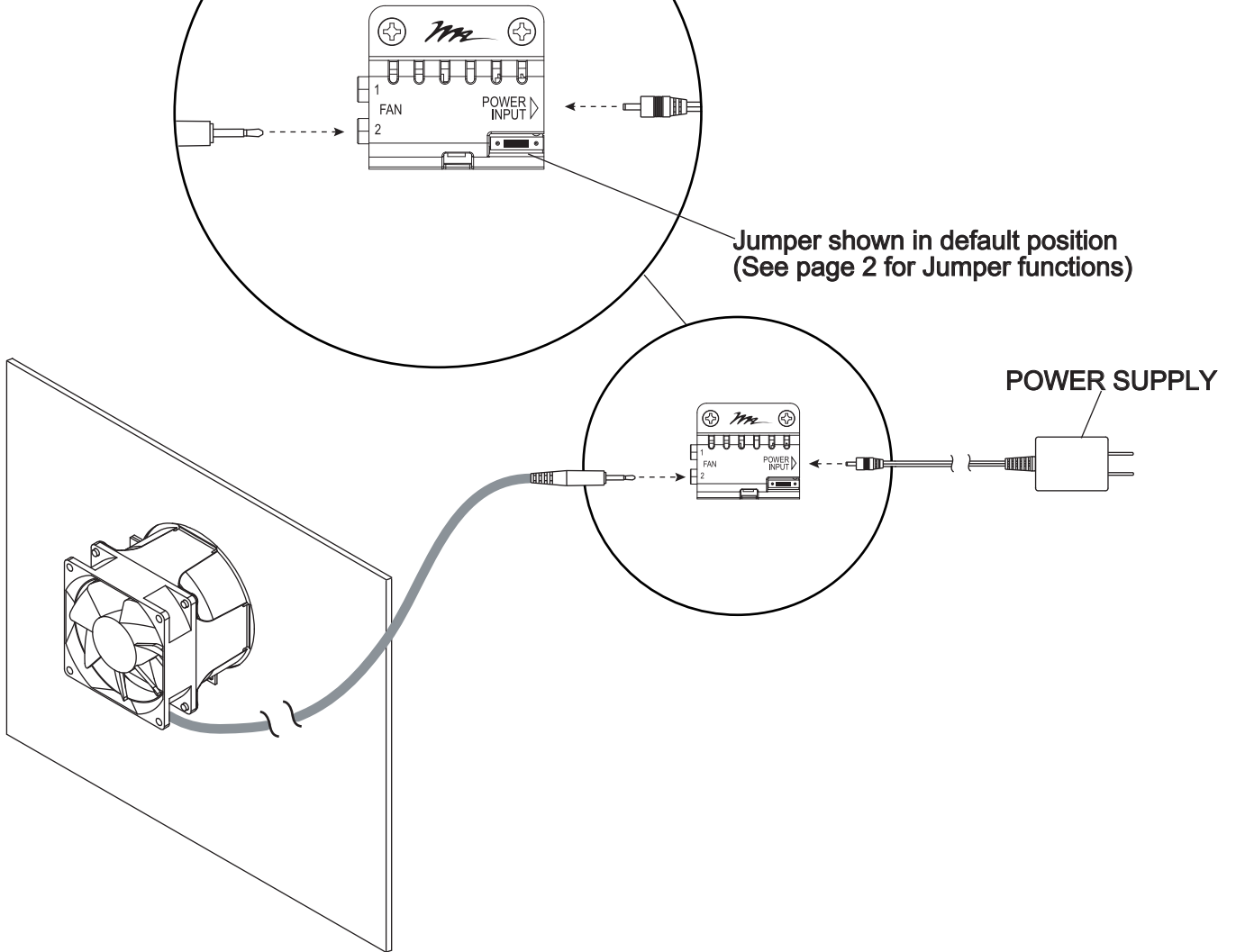
- 8) Run the cable from the Fan Unit to the Inline Fan Control.
(Inputs 1 and 2 are interchangeable)
- 9) Connect Power Supply to power source. Connect Power Supply to input on Inline Fan Control.

NOTE: Wire Ties and Wire Tie Mounts are provided for cable management.

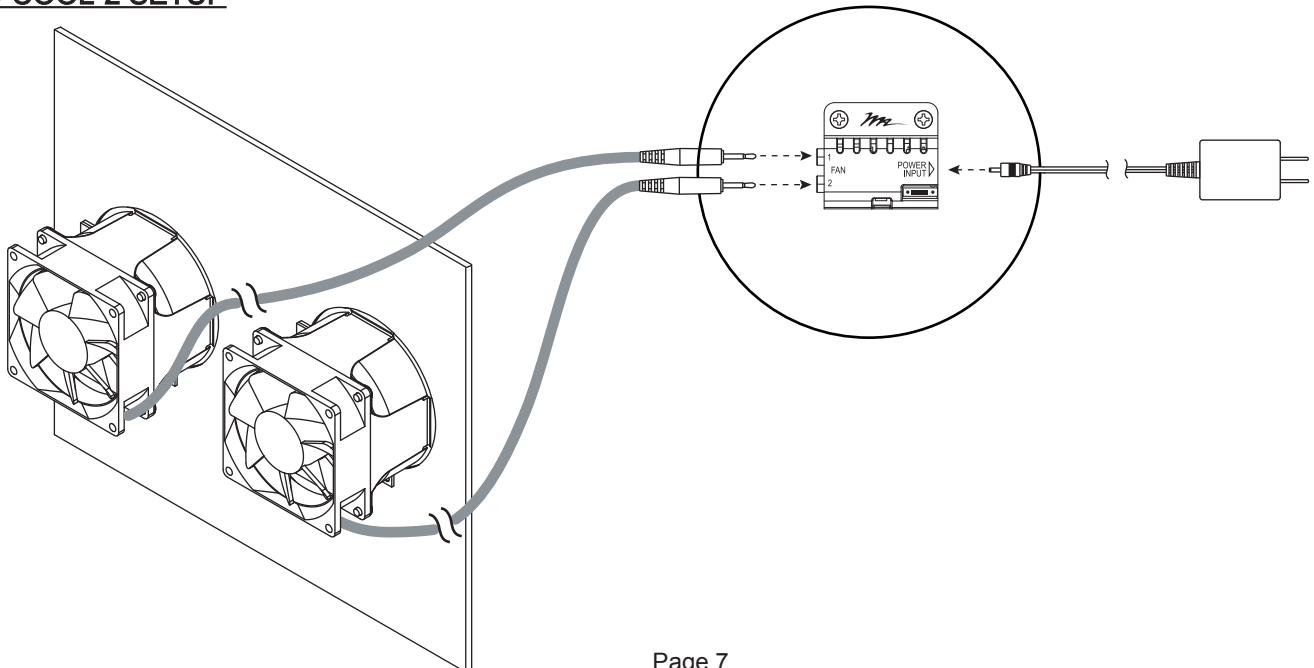
(SEE PAGE 7)

CAB-COOL SETUP

INLINE FAN CONTROL



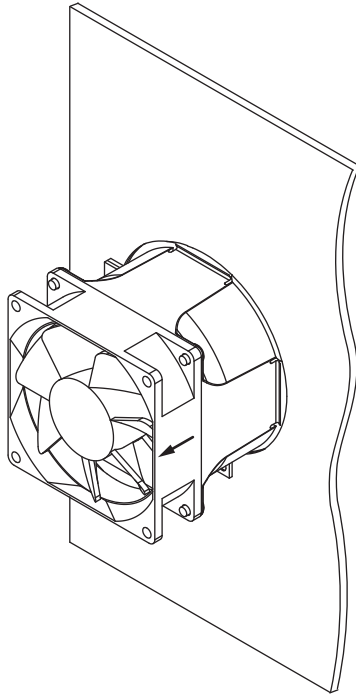
CAB-COOL-2 SETUP



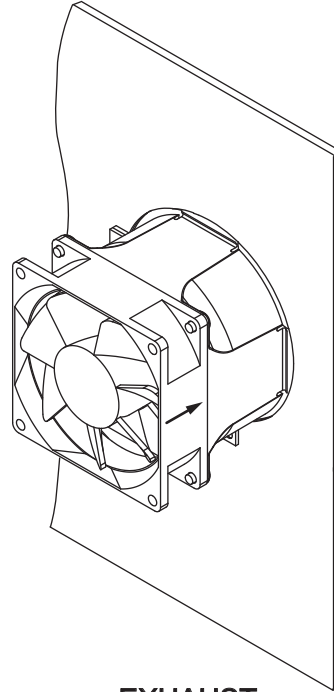
INTAKE/EXHAUST OPTION

The CAB-COOL-2 allows for two fans to operate within the same cabinet as an intake/exhaust source.

This can be achieved by inverting one of the CAB-COOL fans so that the direction of airflow is opposite its counterpart.



INTAKE
(Direction of airflow noted by arrow)



EXHAUST
(Direction of airflow noted by arrow)

WARRANTY

Middle Atlantic Products, Inc. (the "Company") warrants the CAB-COOL Series Cabinet Cooler(s) to be free from defects in material or workmanship under normal use and conditions for a period of (3) three years from date of shipment by the Company.

The Company's entire liability to the purchaser, and the purchaser's (or any other party's) sole and exclusive remedy, under this warranty shall be limited, at the Company's option, to either (a) return of and refund of the price paid for, or (b) repair or replacement at the Company's factory of the products purchased, or any part or parts thereof, which the Company has determined to be defective after inspection thereof at the Company's factory. This warranty does not cover damage due to acts of God, accident, misuse, abuse or negligence by parties other than the Company, or any modification or alteration of the products. In addition, this warranty does not cover damage due to improper handling, assembly, installation or maintenance.

THIS WARRANTY IS IN LIEU OF ALL OTHER WARRANTIES OF ANY KIND, EITHER EXPRESSED OR IMPLIED, INCLUDING, BUT NOT LIMITED TO, IMPLIED WARRANTIES OF MERCHANTABILITY AND FITNESS FOR A PARTICULAR PURPOSE.

TO THE MAXIMUM EXTENT PERMITTED BY APPLICABLE LAW, IN NO EVENT SHALL THE COMPANY BE LIABLE FOR ANY SPECIAL, INCIDENTAL, INDIRECT, OR CONSEQUENTIAL DAMAGES WHATSOEVER (INCLUDING, WITHOUT LIMITATION, DAMAGES FOR LOSS OF BUSINESS PROFITS, BUSINESS INTERRUPTION OR ANY OTHER PECUNIARY LOSS) ARISING OUT OF THE USE OF THE PRODUCTS PURCHASED, EVEN IF THE COMPANY HAS BEEN ADVISED OF THE POSSIBILITY OF SUCH DAMAGES. THE COMPANY'S LIABILITY TO THE PURCHASER (OR ANY OTHER PARTY) HEREUNDER, IF ANY, SHALL IN NO EVENT EXCEED THE PURCHASE PRICE OF THE PRODUCTS PAID TO THE COMPANY.

Corporate Headquarters

Corporate Voice 973-839-1011 - Fax 973-839-1976 / International Voice +1 973-839-8821 - Fax +1 973-839-4982
middleatlantic.com - info@middleatlantic.com

Middle Atlantic Canada

Voice 613-836-2501 - Fax 613-836-2690 / middleatlantic.ca - customerservicecanada@middleatlantic.ca

Factory Distribution

USA: NJ - CA - IL Canada: ON - BC

At Middle Atlantic Products we are always listening. Your comments are welcome.

Middle Atlantic Products is an ISO 9001 and ISO14001 Registered Company.



30% Recycled Paper

