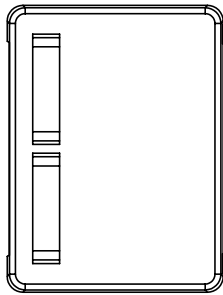


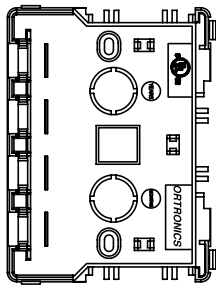


ORTRONICS[®] 125 EUGENE O'NEILL DRIVE
 NEW LONDON, CT 06320
 TEL: 860-445-3800
 FAX: 860-405-2990

TITLE TechChoice KEYSTONE
 4 AND 6 PORT
 SURFACE MOUNT BOX



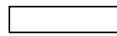
COVER



BASE



DESIGNATION COVER



DESIGNATION STRIP



6-32x1" SCREW

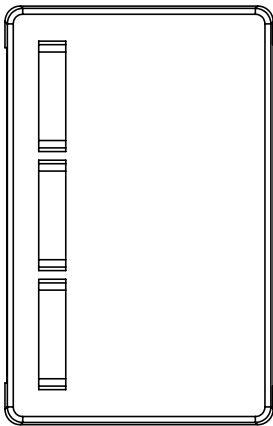


#6 x 3/4" SCREW

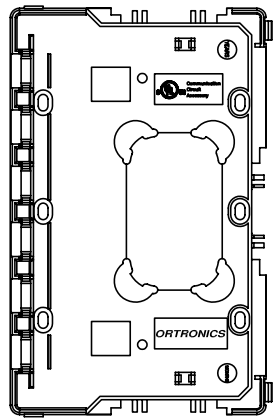
OR-KSSMB4 KIT INCLUDES: 1
 COVER 1 BASE 2 DES. COVER 2
 DES. STRIP 2 SCREWS 6-32
 X1" 2 SCREWS #6 X 3/4"

BOX DIMENSIONS:

1.14" H x 4.78" W x 3.60" D
 28.9mm x 121.4mm x 91.4mm



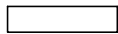
COVER



BASE



DESIGNATION COVER



DESIGNATION STRIP



6-32x1" SCREW



#6 x 3/4" SCREW

OR-KSSMB6 KIT INCLUDES: 1
 COVER 1 BASE 3 DES. COVER 3
 DES. STRIP 2 SCREWS 6-32 X1"
 2 SCREWS #6 X 3/4"

BOX DIMENSIONS:

1.14" H x 6.98" W x 4.33" D
 28.9mm x 177.2mm x 110.0mm

MOUNTING INSTRUCTIONS: THE OR-KSSMB6 BOX CAN BE MOUNTED DIRECTLY TO A RECESSED SINGLE OR DUAL GANG ELECTRICAL BOX USING THE TWO OR FOUR 6-32 X 1" SCREWS, OR FASTENED TO THE WALL USING THE #6 X 3/4" SCREWS. THE OR-KSSMB4 BOX CAN BE MOUNTED DIRECTLY TO A SINGLE GANG ELECTRICAL BOX OR FASTENED TO THE WALL USING SAME SCREWS AS OR-KSSMB6 BOX. IF THE WIREMOLD ECLIPSE PN5, PN10 IS BEING UTILIZED (YOU NEED TO ALIGNMENT GUIDES FROM THE ENTRANCE ON THE BASE OF THE BOX.) (FIG. 1 & FIG. 2) *CAUTION: IF THE WIREMOLD ECLIPSE PN3 IS BEING INSTALLED DO NOT CUT THE ALIGNMENT GUIDES.

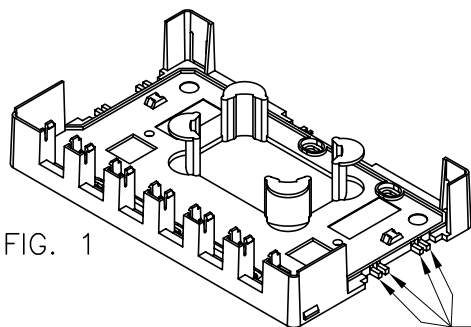


FIG. 1

CUT OFF AS REQUIRED
 FOR WIREMOLD ECLIPSE
 PN3, PN5, PN10

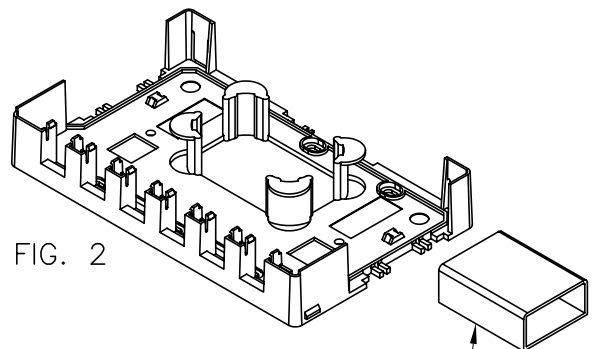


FIG. 2

REF. WIREMOLD
 ECLIPSE PN5, PN10
 RACEWAY

| | | | | | | | | | |
|---------------------|------|-------|--------|----------|----------|---------|----------|---------|----------|
| INSTRUCTION SHEET # | REV. | ECN # | SHEET | DWN.BY: | DATE | CHK.BY: | DATE | APP.BY: | DATE |
| OR-71601444 | 00 | | 1 of 2 | LEVESQUE | 01/14/05 | J. LUCY | 01/14/05 | MEM | 01/14/05 |

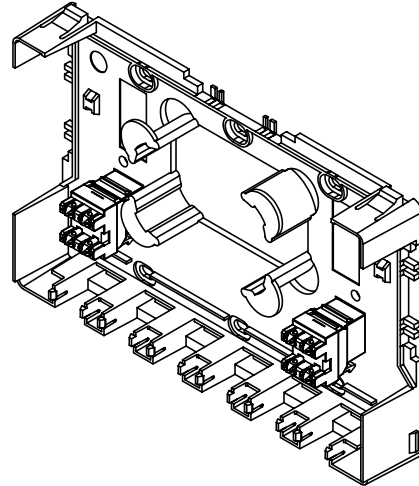
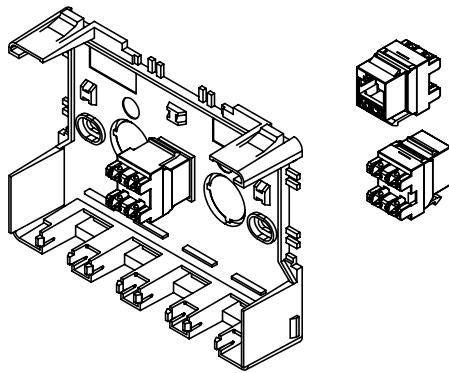


ORTRONICS

125 EUGENE O'NEILL DRIVE
NEW LONDON, CT 06320
TEL: 860-445-3800
FAX: 860-405-2990

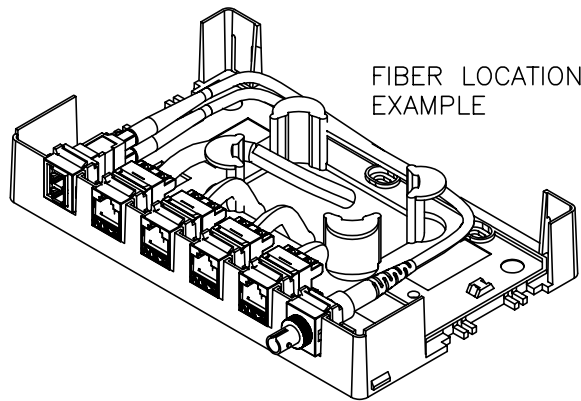
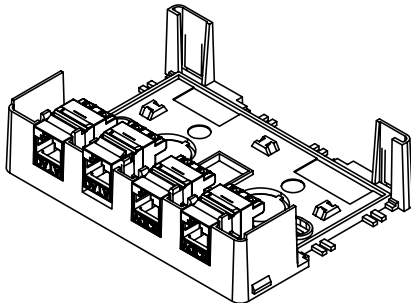
TITLE

TechChoice KEYSTONE
4 AND 6 PORT
SURFACE MOUNT BOX

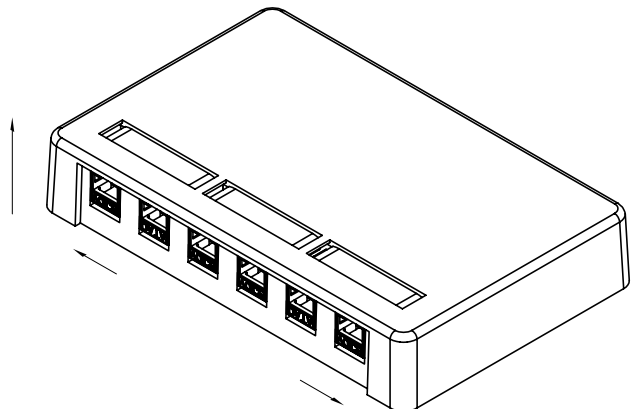
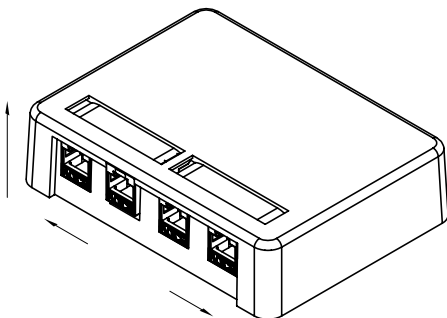


JACK TERMINATION: PLACE THE JACK MODULE IN THE JACK HOLDER LOCATED IN THE BASE FACEDOWN. REFER TO JACK MODULE INSTRUCTION SHEET (71601440) FOR COMPLETE CABLE TERMINATION INSTRUCTIONS.

FIBER TERMINATION: (USE 6 PORT BOX) ORTRONICS RECOMMENDS USING THE OUTSIDE POSITION ON THE BOX FOR FIBER WHEN INSTALLING FIBER AND COPPER TOGETHER. TERMINATE THE FIBER CABLE AS RECOMMENDED BY THE CONNECTOR MANUFACTURERS SPECIFICATIONS. AFTER CONNECTOR TERMINATION, CAREFULLY ROUTE THE FIBER AROUND THE RING TO MAINTAIN THE PERTINENT BEND RADIUS. THE BOX WILL SUPPORT 1 METER OF STORAGE PER CONNECTOR. (SEE BELOW)



TO REMOVE THE COVER, RELEASE LATCHES BY APPLYING PRESSURE TO THE LOWER CORNERS, LIFT THE COVER UPWARD WHILE THE LATCHES ARE RELEASED. (SEE DIAGRAMS BELOW)



| | | | | | | | | | |
|---------------------|------|-------|--------|----------|----------|---------|----------|---------|----------|
| INSTRUCTION SHEET # | REV. | ECN # | SHEET | DWN.BY: | DATE | CHK.BY: | DATE | APP.BY: | DATE |
| OR-71601444 | 00 | | 2 of 2 | LEVESQUE | 01/14/05 | J. LUCY | 01/14/05 | MEM | 01/14/05 |