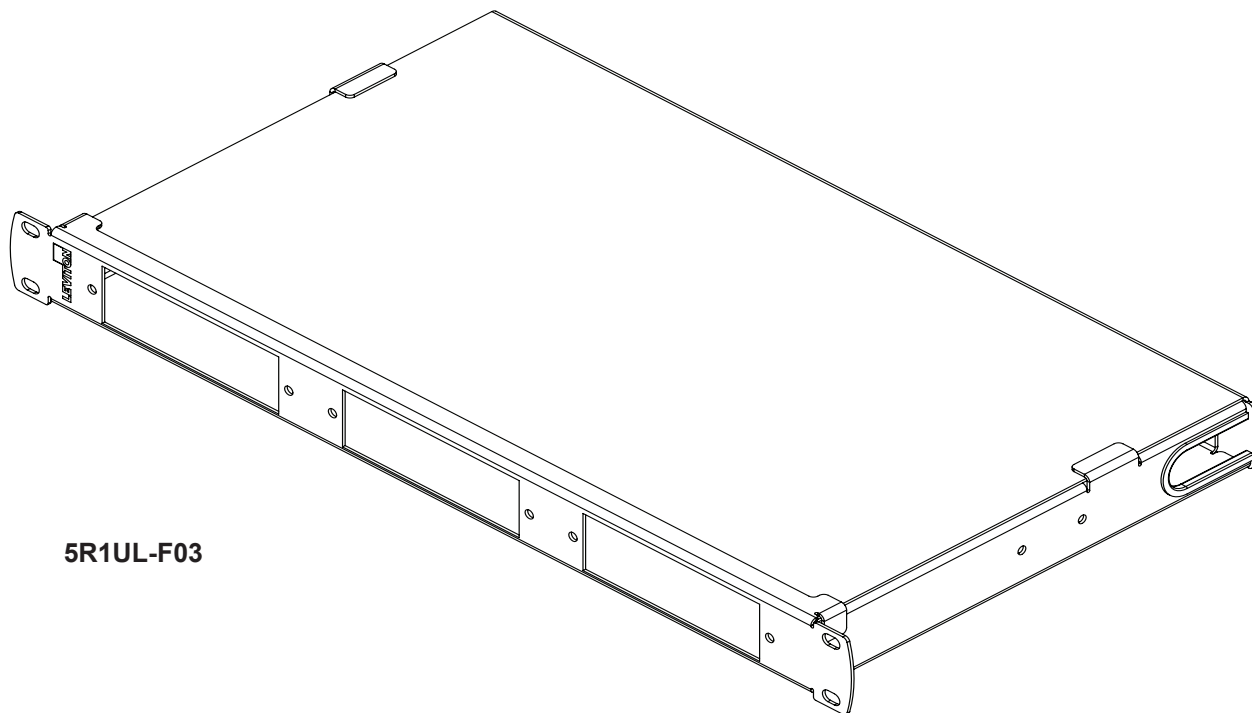


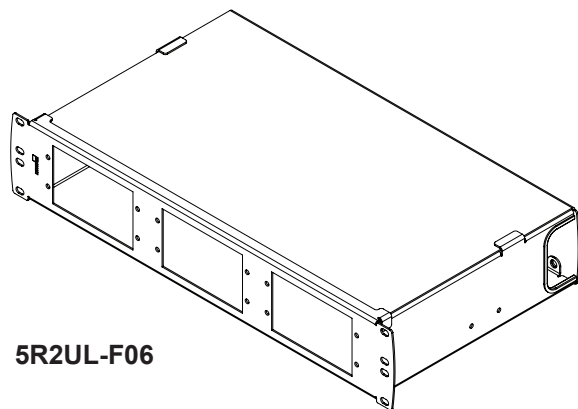
5R1UL-F03
5R2UL-F06
5R3UL-F12



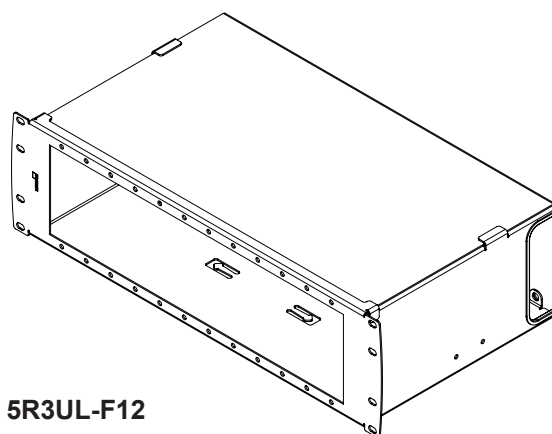
Instructions for Use - Opt-X[®] 500i Enclosure



5R1UL-F03



5R2UL-F06



5R3UL-F12

FIBER CONNECTOR SAFETY WARNINGS

SAFETY INFORMATION

- Always wear safety glasses.
- Isopropyl alcohol is flammable and may cause eye irritation. In case of contact with eyes, flush with water for at least 15 minutes. When using isopropyl alcohol, always assure proper levels of ventilation. In case of ingestion, consult a physician immediately.
- Never look directly into a laser light source, point source at a person's eyes, or point source at reflective surfaces.
- When working on a fiber link, always turn laser source off, or disconnect completely.
- Always dispose of fiber debris properly, preferably using sticky tabs.
- Do not place food or beverages in the vicinity of the work area.
- Thoroughly wash face and hands after terminating fiber.
- Carefully remove any fiber debris that may have been stuck to clothing, or left in work area, and dispose of properly.

TIPS AND RECOMMENDATIONS

- Using isopropyl alcohol, thoroughly clean exposed fiber and buffer ensuring both are free from dust, oil, and debris.
- Do not lay ferrule dust covers on a dirty or dusty surface.
- Always use proper tools and/or accessories to terminate fibers and clean connector tips.

QUICK START GUIDE

The following instructions will help you quickly install your Leviton Opt-X® 500i Enclosure for use in your equipment cabinet or rack. For detailed information on each step, go to the page number listed below.

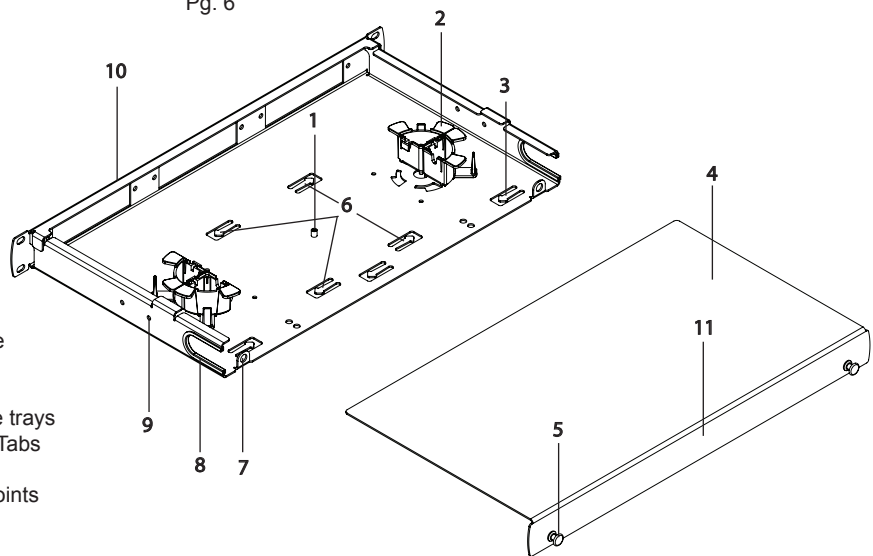
Safety and Installation Instructions	Pg. 2
Quick Start Guide	Pg. 2
Equipment Overview	Pg. 2
Standard Accessories	Pg. 3
Cover Removal & Optional Parts	Pg. 3
Port ID Labeling	Pg. 4
Fiber Ring Installation, Removal & Assembly	Pg. 5
Typical Applications	Pg. 6

EQUIPMENT OVERVIEW

Interior/Exterior

NOTE: Cover removed for clarity.

1. Splice Tray Alignment Pin
2. Fiber Cable Management Ring
3. Hook and Loop Lacing Points for securing Cable
4. Removable Cover / Rear Door
5. Cover / Door Locking Pins
6. Hook and Loop Lacing Points for securing splice trays
7. Cover / Door Locking Pin Attachment Mounting Tabs
8. Rear Cable Entry Points
9. Optional Strain Relief Kit Enclosure Mounting Points
10. Adapter Plate Mounting Positions
11. Label Mounting Position



STANDARD ACCESSORIES (Included with Opt-X® 500i Enclosure)

Prior to installing your Leviton Opt-X® 500i Enclosure, please refer to the table below. This will help ensure that you have all the items shipped with the unit, and/or any additional items that may be required for proper installation.

Description	Image	Quantity in 1RU Kit	Quantity in 2RU Kit	Quantity in 3RU Kit
Cable Tie		4	4	4
Rack Mount Screw		4	4	4
Self Adhesive Label		2	2	2

OPTIONAL PART NUMBERS

Description

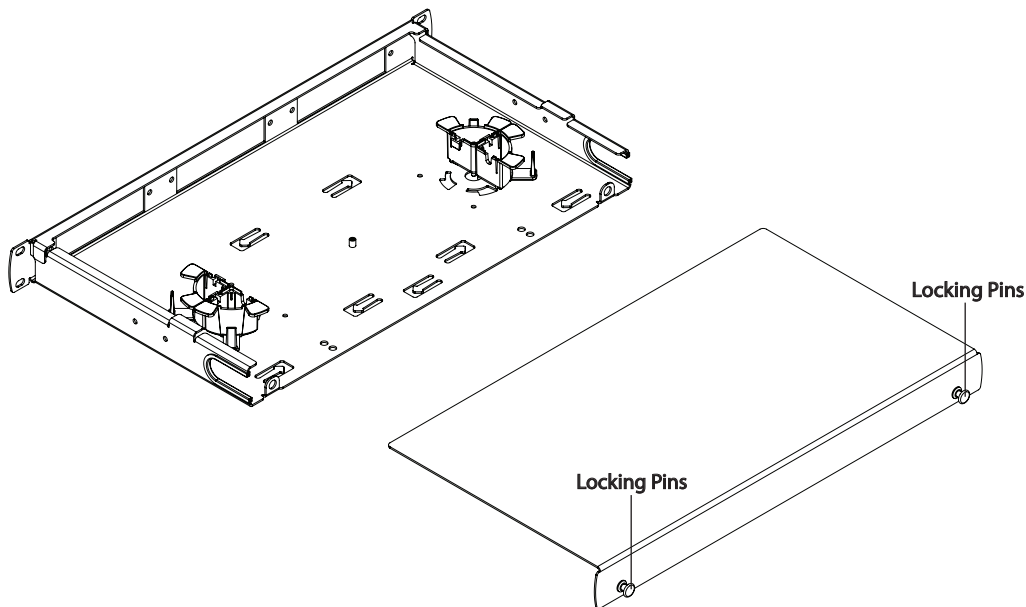
Universal Opt-X® Clamp Kit for Enclosure Mounting
 Universal Opt-X® Clamp Kit for Rack Mounting
 Fiber Cable Management 1/4 Ring Kit (bag of four 1/4 rings)
 Opt-X® 500i Patch Cord Management Tray, 1RU
 Opt-X® 500i Patch Cord Management Tray, 2/3RU
 Splice Tray Mounting Hardware Kit

Part Number

5RCMP-KIT
 5RCMR-KIT
 5R100-14R
 5R1UL-CMT
 5R2UL-CMT
 SPLMT-HKT

COVER REMOVAL / INSTALLATION

To remove cover: pull locking pins to unlock, and then slide cover to the rear. To install cover: assure locking pins are unlocked, then slide cover onto the enclosure and push locking pin to latch cover in place.



Opt-X® 500i LABELING

Label Printing Organization by Fiber Adapter Type - 1 and 2 RU								Label Printing Organization by Fiber Adapter Type - 3 RU							
Adapter	No. of Ports	Number Scheme						Adapter	Duplex SC (3 pack)	Duplex SC (6 pack)	Duplex LC (6 pack)	Quad LC (6 pack)	ST/FC (6 pack)	ST/FC (8 pack)	
Duplex SC (3 pack)	6	1	2	3	4	5	6	No. of Ports	6	12	12	24	6	8	
Duplex SC (6 pack)	12	3-4		7-8		11-12		Number Scheme							
Duplex LC (6 pack)	12	1-2		5-6		9-10		1	1-2	3-4	1-2	5-6	1	1	
Quad LC (6 pack)	24	2	4	6	8	10	12	2	3-4	5-6	7-8	2	2	2	
ST/FC (6 pack)	6	1	2	3	4	5	6	3	5-6	7-8	9-10	13-14	3	3	
ST/FC (8 pack)	8	1 - 2 - 3 - 4 - 5 - 6 - 7 - 8						4	7-8	11-12	17-18	15-16	4	4	
								5	9-10	11-12	9-10	21-22	5	5	
								6			11-12	19-20	23-24	6	6

UNIVERSAL LABELING DEVICES

1RU – horizontal orientation

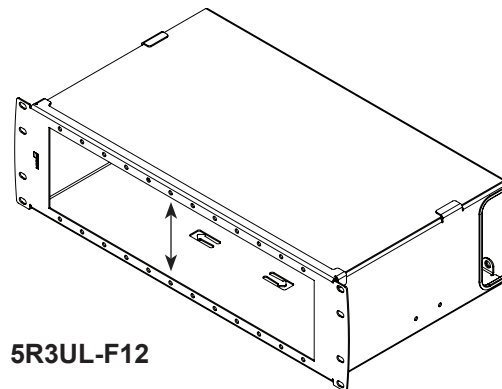
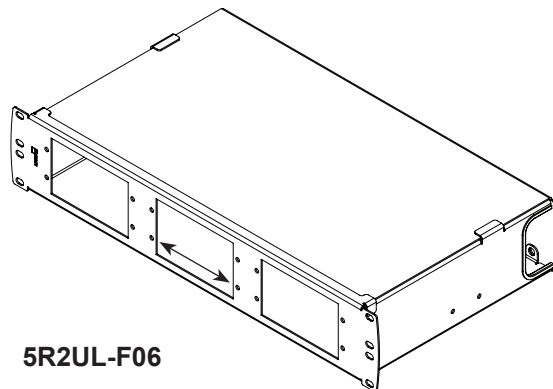
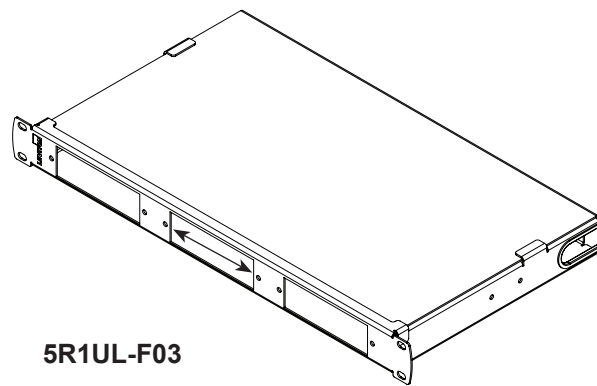
- Use 3/8" or 3/4" label tape, depending on adapter plate
- Total label length = 4"
- Panel section is 3/4" H x 4" L

2RU – horizontal orientation

- Use 3/8" or 3/4" label tape, depending on adapter plate
- Total label length = 4"
- Panel section is 3/4" H x 4" L

3RU – vertical orientation

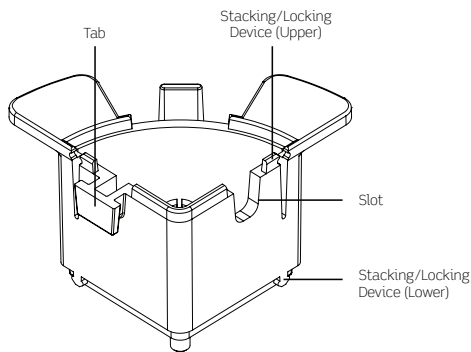
- Use 3/8" or 3/4" label tape, depending on adapter plate
- Total label length = 2 3/4"
- Panel section is 3/4" W x 2 3/4" H



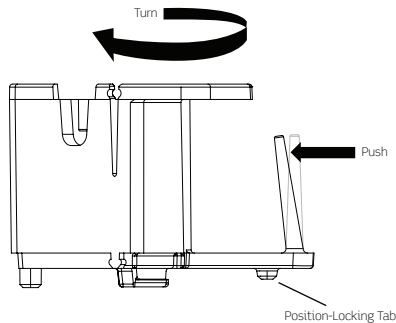
Opt-X® 500i FIBER RING (Removal, Installation and Assembly)

Opt-X® Fiber management ¼ rings are pre-installed at the factory. To remove, grip the ¼ ring, lift the Position-Locking Tab, turn counter clockwise until unlocked, and then lift to remove. When removing a half or full management ring group, simultaneously lift the 2 or 4 Position-Locking Tabs, turn counter clockwise until unlocked, and then lift to remove.

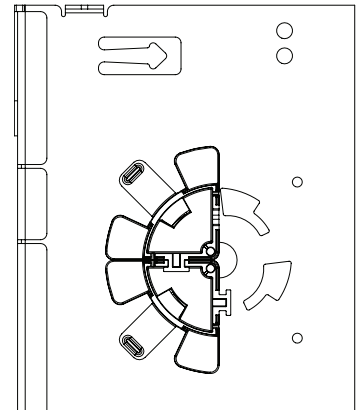
RING OVERVIEW



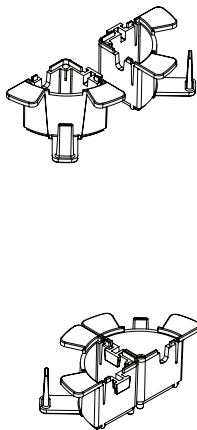
RING SIDE PROFILE



RING ALIGNMENT SLOTS



HALF RING ASSEMBLY



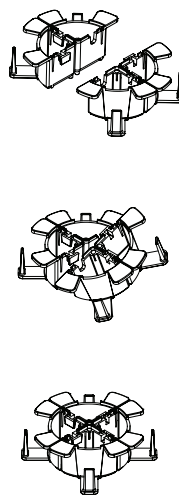
HALF RING ASSEMBLY

Hold a ¼ ring unit in each hand, bring the units together and engage by placing the tab of the left unit into the slot of the right unit.

HALF RING INSTALLATION Position ½ ring unit over outer ring slots so the alignment tabs fit into slots. Press down and turn the ½ ring unit clockwise to engage tabs and lock into position.

CAUTION – when installing into a tray that is in the enclosure, provide adequate support under the tray by placing a hand under the ring slot area.

FULL RING ASSEMBLY



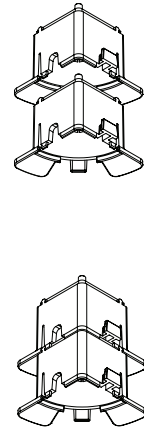
FULL RING ASSEMBLY

Hold a ½ ring unit in each hand, bring units together with tabs above slots, rotate to engage tabs.

FULL RING INSTALLATION Position full ring unit over inner and outer ring slots so alignment tabs fit into slots. Firmly press down and turn the full ring unit clockwise to engage tabs and lock into position.

CAUTION – when installing into a tray that is in the enclosure, provide adequate support under the tray by placing a hand under the ring slot area.

RING STACKING



RING STACKING

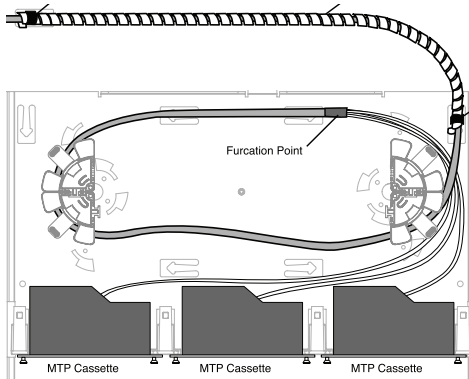
Position initial ring unit (¼, ½, or full) upside down on a flat surface. Position additional ring upside down above initial ring and press together using sufficient force to engage stack locking device.

CAUTION – always perform stacking before installing ring unit into tray.

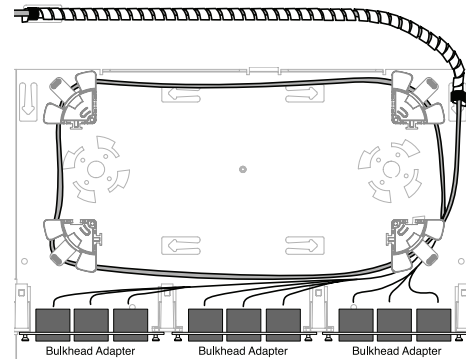
CABLE INSTALLATION - APPLICATIONS

(Typical installations - not specific to enclosure)

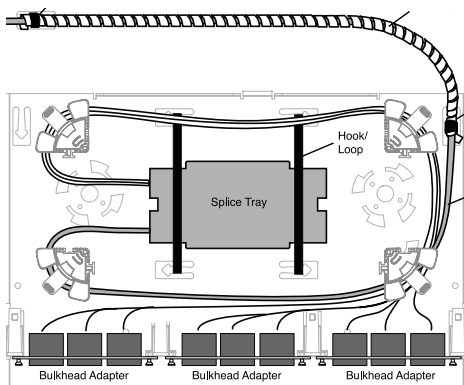
Utilizing MTP® Cassettes



Utilizing Pre-Terminated Cables or Field Termination of tight-buffered cable



Utilizing Splice Trays



Utilizing Fan-Out Kits

